

# FRAMELESS GLASS RAILINGS



STATIC STUDIO

GAMIN



Faculty of Civil Engineering



TESTED BY  
**RISE**  
SWEDEN

**1** AL PROFILE  
SYSTEMS

4 - 65

**2** GLASS  
ADAPTERS

66 - 77

**3** SPIGOTS

78 - 85

**4** JULIET BALCONY

86 - 87

**5** CAP RAILS

88 - 103

**6** LED  
HANDRAILS

104 - 111

**7** GLASS CONNECTORS  
HANDRAIL HOLDERS  
FOR GLASS

112 - 119

**8** ACCESSORIES

120 - 140

# 1

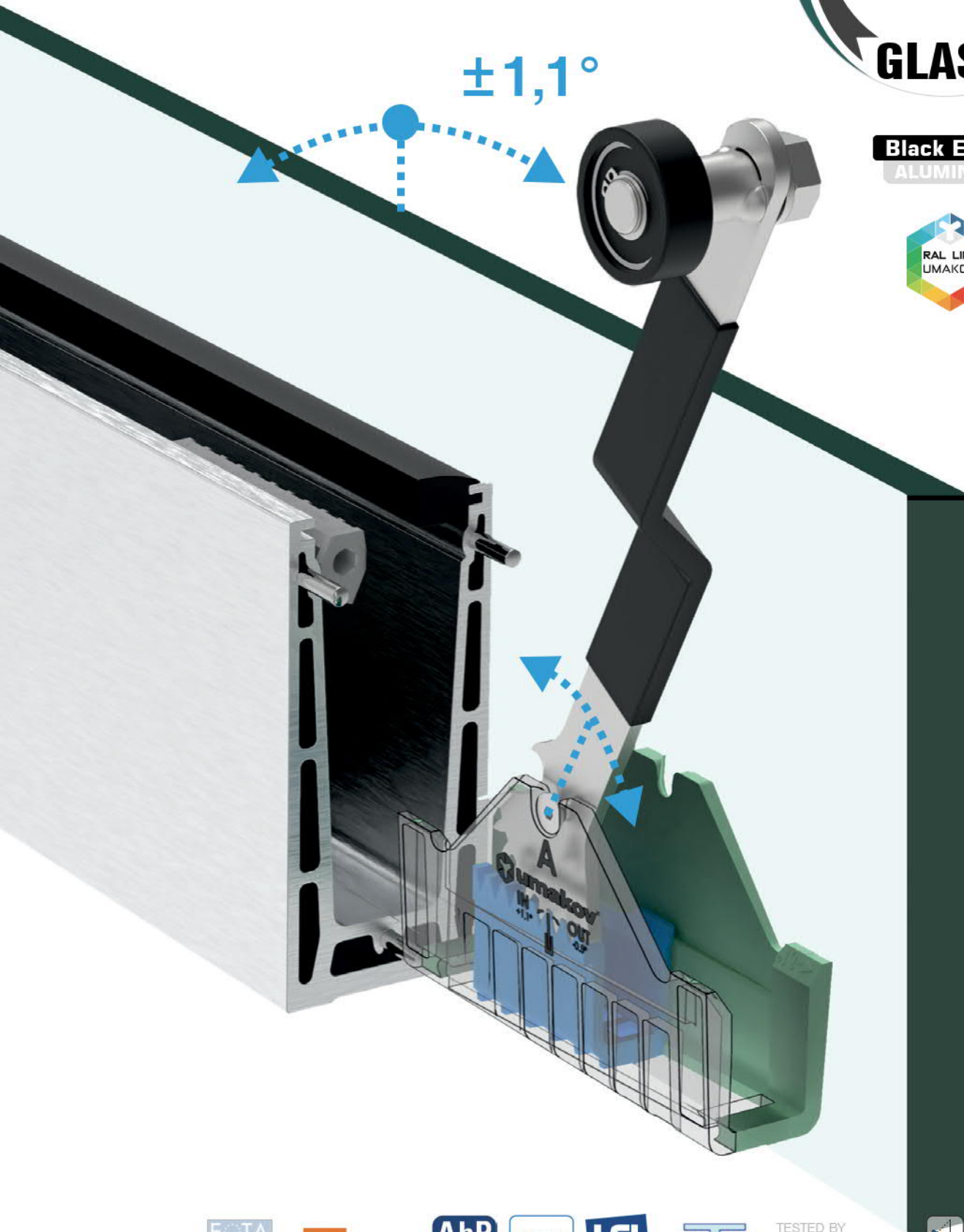
## AL PROFILE SYSTEMS



**Black ELOX**  
ALUMINUM



$\pm 1,1^\circ$



TESTED BY  
**RISE**  
SWEDEN

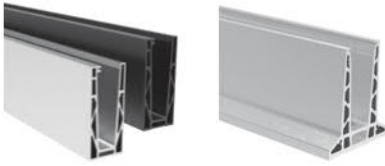


STATIC STUDIO



**U PROFILES  
TOP MOUNT  
FIX**

AL/0004  
AL/0004-ECO  
AL/0008



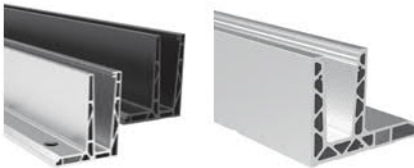
**FLEX  
FIX, FLEX**

AL/0004-LIGHT  
AL/0004-UnoXL  
AL/0004-PRO  
AL/0008-ProXL  
AL/0019



**L PROFILES  
TOP MOUNT  
FIX**

AL/0006  
AL/0006-ECO



**FIX, FLEX**

AL/0006-UNO  
AL/0018



**U PROFILES  
SIDE MOUNT  
FIX**

AL/0005-D  
AL/0009

**FLEX**

AL/0005-UNO



**Y PROFILES  
SIDE MOUNT  
FIX**

AL/0011

**FLEX**

AL/0011-LIGHT

**FIX, FLEX**

AL/0011-ProXL



**GLASS  
SETS**

AL/ZALVR...004  
AL/ZALVR...006  
AL/ZALBR...005  
AL/ZALBR...011

U PROFILES TOP MOUNT

Material	Finish	Effect	art.	L	G/h	12	12,76	13,52	16,76	17,52	20,76	21,52	24,76	25,52	30,76	31,52	kg/m	FLEX			FIX	FIX1	FIX2	COVERS								
ALUMINIUM	satin	ELOX	AL/0004-1250-S-E	1250	2,5kN												5,7								top							
			AL/0004-2500-S-E	2500																												
			AL/0004-5000-S-E	5000																												
		AL/0004-6000-S-E	6000																													
		ELOX inox	AL/0004-2500-S-VA-EXCL..	2500																												
			AL/0004-5000-S-VA-EXCL..	5000																												
	AL/0004-6000-R7016		6000																								new					
	matte	RAL 7016	AL/0004-6000-R9005	6000																							new					
		RAL 9005																									new					
	ALUMINIUM	satin	ELOX	AL/0004-ECO-2500-S-E	2500	1kN												4,8									new					
				AL/0004-ECO-5000-S-E	5000																											
				AL/0004-ECO-6000-S-E	6000																											
natural		ELOX	AL/0004-ECO-6000-N	6000																												
			AL/0004-ECO-6000-R7016	6000																								new				
matte		RAL 7016	AL/0004-ECO-6000-R9005	6000																							new					
		RAL 9005																									new					
ALUMINIUM		satin	ELOX	AL/0004-LIGHT-2500-S-E	2500	0,5 kN												4,1									new					
				AL/0004-LIGHT-5000-S-E	5000																											
				AL/0004-LIGHT-6000-S-E	6000																											
				AL/0004-UnoXL-2500-S-E	2500																											
				AL/0004-UnoXL-5000-S-E	5000																											
	AL/0004-UnoXL-6000-S-E			6000																												
	satin	ELOX	AL/0004-PRO-2500-S-E	2500	1kN													5,6									new					
			AL/0004-PRO-5000-S-E	5000																												
			AL/0004-PRO-6000-S-E	6000																												
			AL/0008-2500-S-E	2500																												
			AL/0008-5000-S-E	5000																												
			AL/0008-ProXL-2500-S-E	2500																												
satin	ELOX	AL/0008-ProXL-5000-S-E	5000	3kN													8,9									new new new						
		AL/0008-ProXL-6000-S-E	6000																													
		AL/0019-2500-S-E	2500																													
		AL/0019-5000-S-E	5000																													
satin	ELOX	AL/0019-6000-S-E	6000	3kN													10									new						

\* 3kN - info according to the test protocol 03/23

L PROFILES TOP MOUNT

Material	Finish	Effect	art.	L	G/h	12	12,76	13,52	16,76	17,52	20,76	21,52	24,76	25,52	30,76	31,52	kg/m	FLEX			FIX	FIX1	FIX2	COVERS						
ALUMINIUM	satin	ELOX	AL/0006-1250-S-E	1250	3kN												7								top					
			AL/0006-2500-S-E	2500																										
			AL/0006-5000-S-E	5000																										
			AL/0006-6000-S-E	6000																										
	matte	RAL 7016	AL/0006-6000-R7016	6000																							new			
		RAL 9005	AL/0006-6000-R9005	6000																							new			
	ALUMINIUM	satin	ELOX	AL/0006-ECO-2500-S-E	2500	1kN												5,9									new			
				AL/0006-ECO-5000-S-E	5000																									
				AL/0006-ECO-6000-S-E	6000																									
		ELOX black	AL/0006-ECO-2500-S-EB	2500																										
			AL/0006-ECO-5000-S-EB	5000																										
		natural	ELOX	AL/0006-ECO-6000-N	6000																									
matte	RAL 7016	AL/0006-ECO-6000-R7016	6000																							new				
	RAL 9005	AL/0006-ECO-6000-R9005	6000																							new				
ALUMINIUM	satin	ELOX	AL/0006-UNO-2500-S-E	2500	1kN												6									new				
			AL/0006-UNO-5000-S-E	5000																										
			AL/0006-UNO-6000-S-E	6000																										
			AL/0018-2500-S-E	2500																										
satin	ELOX	AL/0018-5000-S-E	5000	3kN													12,2									new				
		AL/0018-6000-S-E	6000																											

U PROFILES

SIDE MOUNT

Material	Finish	Effect	art.	L	G/h	12	12,76	13,52	16,76	17,52	20,76	21,52	24,76	25,52	30,76	31,52	kg/m	FLEX	FLEX1	FLEX2	FIX	FIX1	FIX2	COVERS				
ALUMINIUM	satin		AL/0005-UNO-2500-S-E	2500																								
			AL/0005-UNO-5000-S-E	5000	1kN	■	■	■	■	■										-	■	-	-	-	-	✓		
			AL/0005-UNO-6000-S-E	6000																								
	ELOX	satin		AL/0005-D-1250-S-E	1250																							
				AL/0005-D-2500-S-E	2500																							
				AL/0005-D-5000-S-E	5000	2,5kN	●	●																				
				AL/0005-D-6000-S-E	6000																							
				AL/0005-D-2500-S-EB	2500																							
				AL/0005-D-5000-S-EB	5000																							
	ELOX	black		AL/0009-2500-S-E	2500	3kN							●		●													
				AL/0009-5000-S-E	5000																							

Y PROFILES

SIDE MOUNT

Material	Finish	Effect	art.	L	G/h	12	12,76	13,52	16,76	17,52	20,76	21,52	24,76	25,52	30,76	31,52	kg/m	FLEX	FLEX1	FLEX2	FIX	FIX1	FIX2	COVERS				
ALUMINIUM	natural	ELOX	AL/0011-1250-N-E	1250																								
			AL/0011-2500-N-E	2500																								
			AL/0011-5000-N-E	5000	3kN	●	●																					
			AL/0011-6000-N-E	6000																								
			AL/0011-2500-N-EB	2500																								
			AL/0011-5000-N-EB	5000																								
	ELOX	natural		AL/0011-LIGHT-2500-N-E	2500	0,5 kN	■	■	■	■	■															✓		
				AL/0011-LIGHT-5000-N-E	5000																							
				AL/0011-LIGHT-6000-N-E	6000																							
				AL/0011-ProXL-2500-N-E	2500																							
				AL/0011-ProXL-5000-N-E	5000	2kN						■	■	■	■	●	●		●								●	✓
				AL/0011-ProXL-6000-N-E	6000																							

CONFIGURATOR

RAILING

umakov
Base > Railing > Planning > View > Shopping Cart

Railing 0  
Railing 1

CHOOSE HEIGHT

1200mm 1000mm 900mm

CHOOSE WIDTH OF GLASS

15mm 10mm 5mm

CHOOSE HANDLE

Horizontal Copy

CHOOSE HANDLE MATERIAL

Nerez Hlinik Ocif

CHOOSE PROFILE MATERIAL

Nerez Hlinik Ocif

SOON

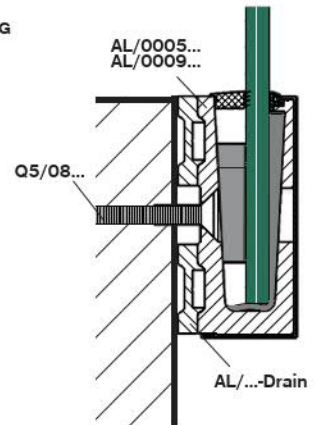
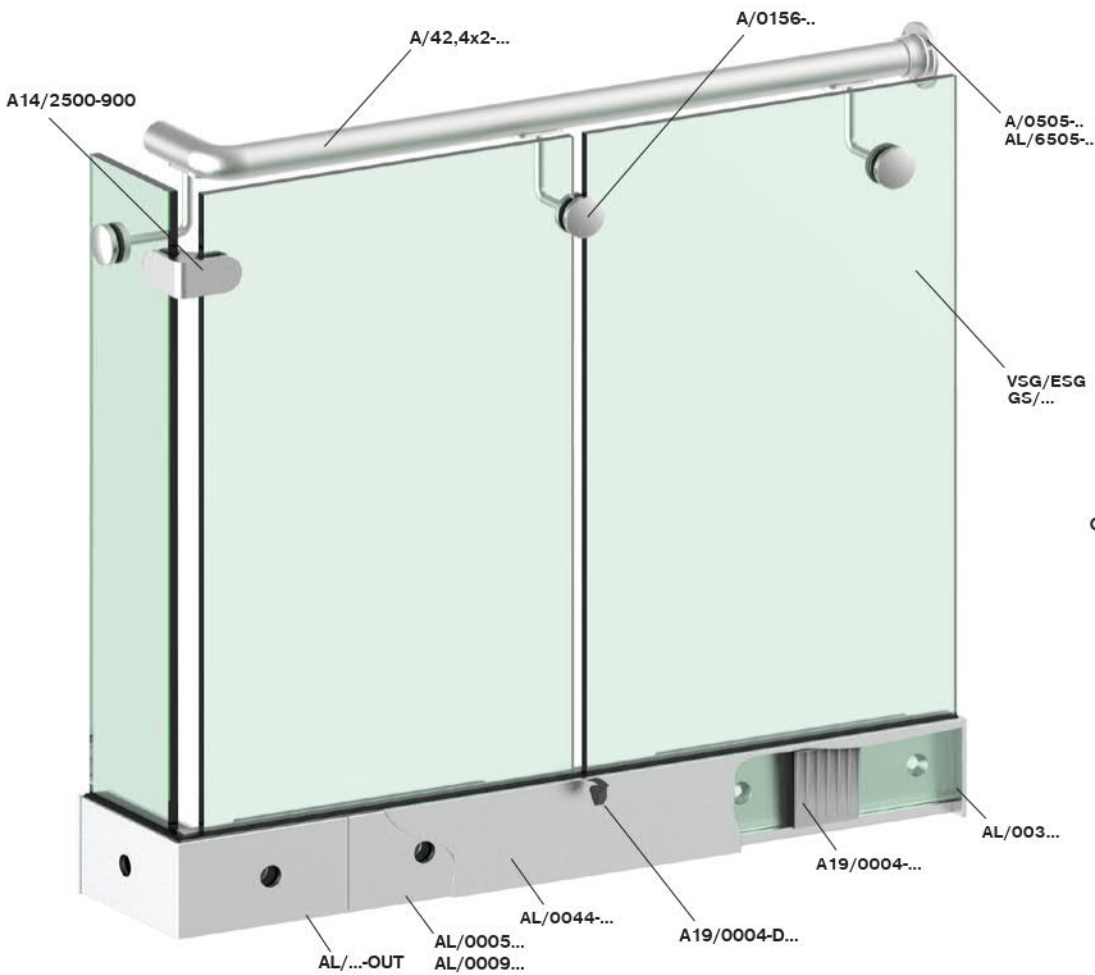
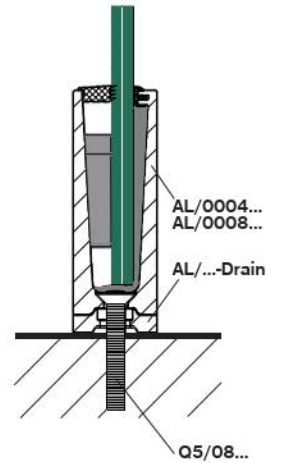
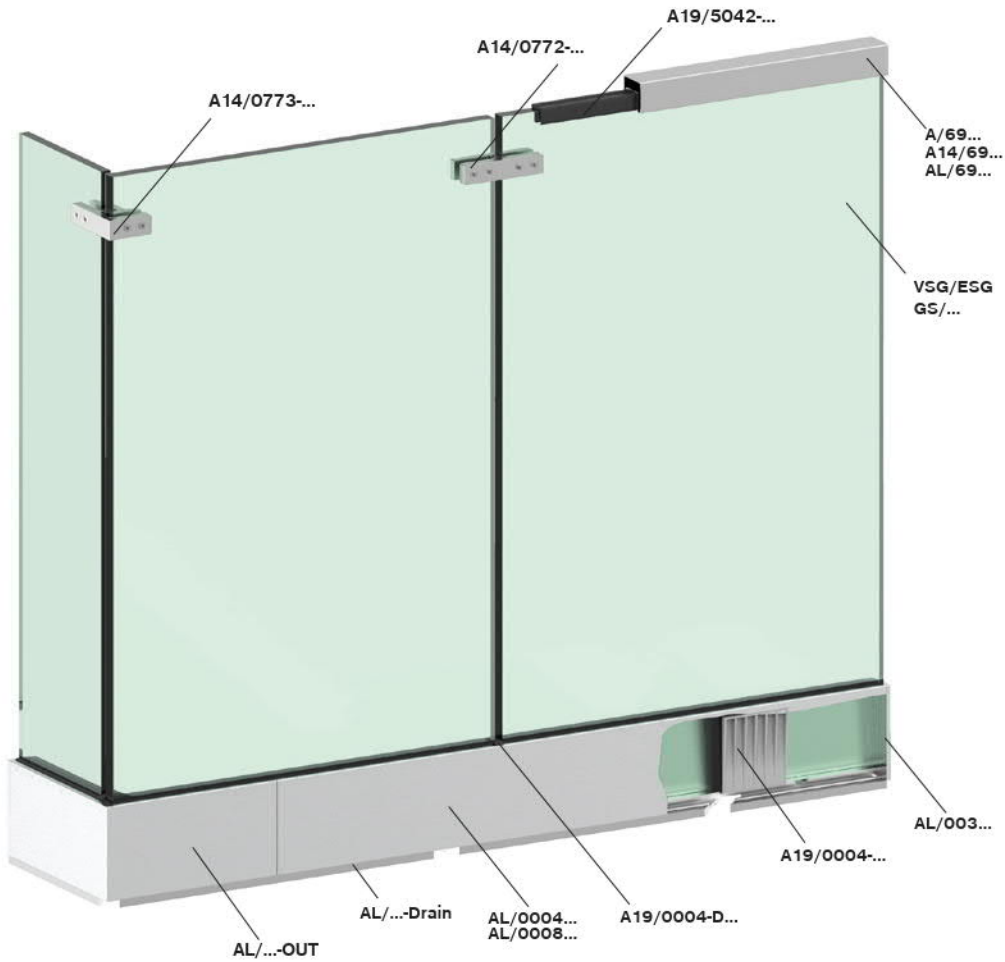
CONTINUE

n

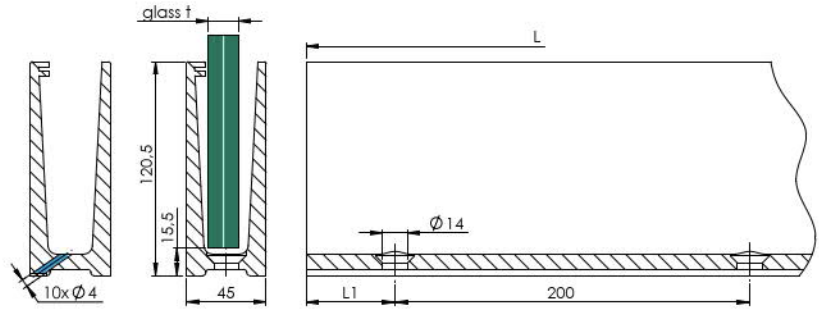
new  
new  
new  
new







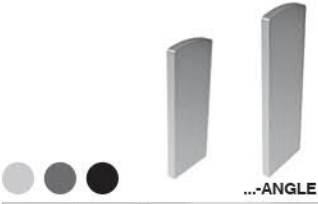
MODEL 0004 FIX series



AL/0004...S-E-Drain AL/0004...S-E AL/0004...S-VA

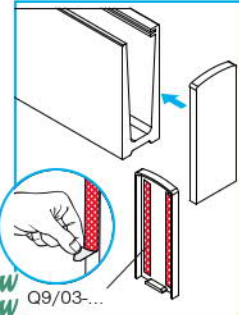
Material	Finish	Effect	art.	L	L1	G/h	glass t		
ALUMINIUM	satin	ELOX	AL/0004-1250-S-E	1250					
			AL/0004-2500-S-E	2500	50				
			AL/0004-5000-S-E	5000					
			AL/0004-6000-S-E	6000	100				
			AL/0004-5000-S-E-Drain	5000		2.5	12,00-21,52		built in drain
			AL/0004-5000-S-EB-Drain	5000					
	matte	ELOX inox	AL/0004-2500-S-VA-EXCLUSI	2500	50				
			AL/0004-5000-S-VA-EXCLUSI	5000					
			RAL 7016 AL/0004-6000-R7016	6000	100				
			RAL 9005 AL/0004-6000-R9005	6000	100				

new new

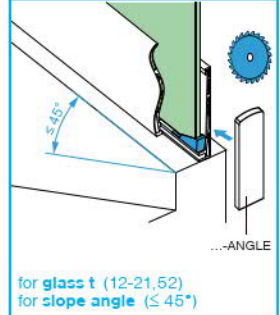


Material	Finish	Effect	art.	slope angle
ALUMINIUM	satin	ELOX	AL/0034-004-S-E	0°
		ELOX inox	AL/0034-004-S-VA-EX	
		ELOX	AL/0034-004-S-E-ANGLE	≤ 45°
	matte	RAL 7016	AL/0034-004-R7016	0°
		RAL 9005	AL/0034-004-R9005	0°

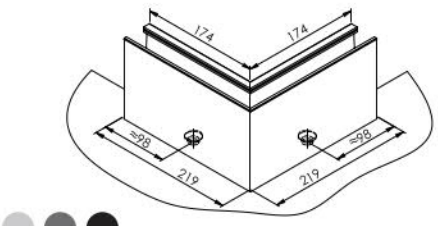
new new



Quality	Finish	art.
PETG	gray	A19/glass-stop

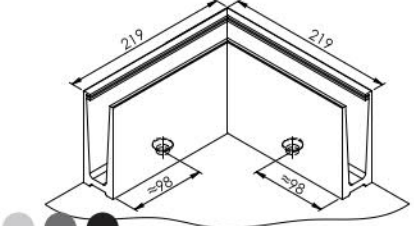


for glass t (12-21,52) for slope angle (≤ 45°)



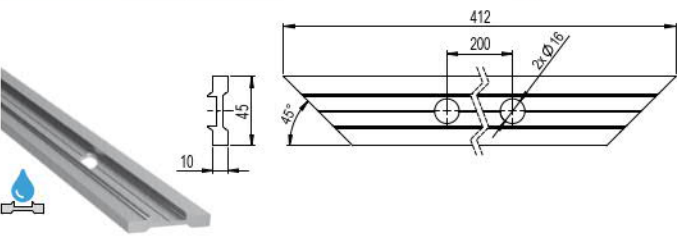
Material	Finish	Effect	art.
ALUMINIUM	satin	ELOX	AL/0004-S-E-90-IN
		ELOX inox	AL/0004-S-VA-EX-90-IN
	matte	RAL 7016	AL/0004-R7016-90-IN
		RAL 9005	AL/0004-R9005-90-IN

new new

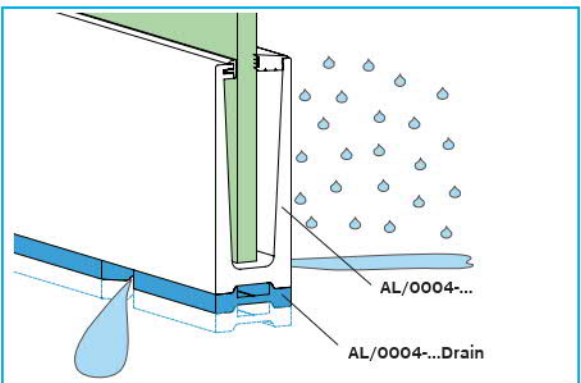


Material	Finish	Effect	art.
ALUMINIUM	satin	ELOX	AL/0004-S-E-90-OUT
		ELOX inox	AL/0004-S-VA-EX-90-OUT
	matte	RAL 7016	AL/0004-R7016-90-OUT
		RAL 9005	AL/0004-R9005-90-OUT

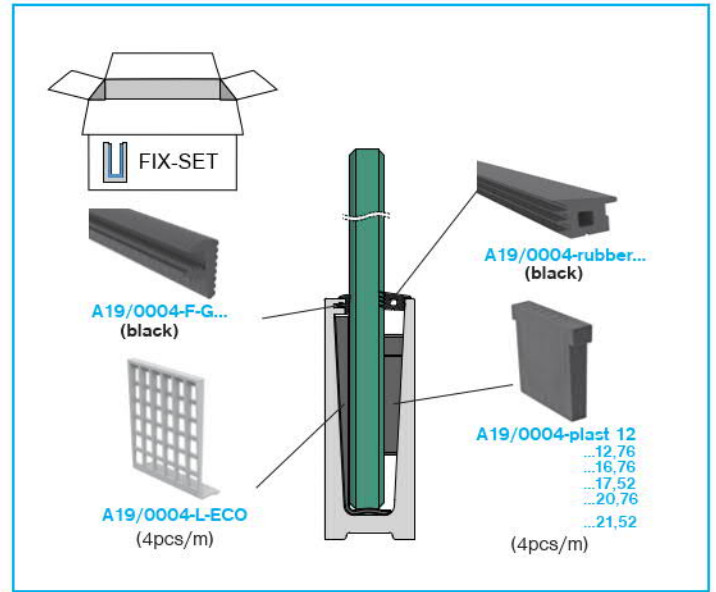
new new



Material	Finish	Effect	art.	compatibility	pcs
ALUMINIUM	satin	ELOX	AL/0004-S-E-Drain	AL/0004-1250...	4
				AL/0004-2500...	7
				AL/0004-5000...	13
				AL/0004-6000...	15



Glass t (mm)	L (m)	art.
12 (12)	2,5	A19/0004-012-02.5
	5	A19/0004-012-05.0
	6	A19/0004-012-06.0
	25	A19/0004-012-25.0
12,76 (66.2)	2,5	A19/0004-013-02.5
	5	A19/0004-013-05.0
	6	A19/0004-013-06.0
	25	A19/0004-013-25.0
16,76 (88.2)	2,5	A19/0004-017-02.5
	5	A19/0004-017-05.0
	6	A19/0004-017-06.0
	25	A19/0004-017-25.0
17,52 (88.4)	2,5	A19/0004-018-02.5
	5	A19/0004-018-05.0
	6	A19/0004-018-06.0
	25	A19/0004-018-25.0
20,76 (1010.2)	2,5	A19/0004-021-02.5
	5	A19/0004-021-05.0
	6	A19/0004-021-06.0
	25	A19/0004-021-25.0
21,52 (1010.4)	2,5	A19/0004-022-02.5
	5	A19/0004-022-05.0
	6	A19/0004-022-06.0
	25	A19/0004-022-25.0

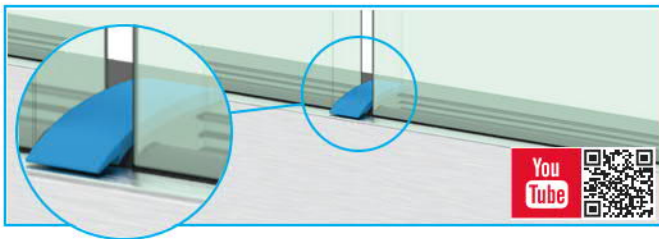


Quality	Finish	art.	L(m)	glass t
Rubber	gray (interier)	A19/0004-F-G-02.5	2,5	12-21,52
		A19/0004-F-G-05.0	5	
		A19/0004-F-G-25.0	25	
	black (exterier)	A19/0004-F-B-02.5	2,5	
		A19/0004-F-B-05.0	5	
		A19/0004-F-B-06.0	6	
		A19/0004-F-B-25.0	25	

Quality	Finish	art.	L(m)	glass t
Rubber	gray (interier)	A19/0004-17-18-G-02.5	2,5	16,76-17,52
		A19/0004-17-18-G-05.0	5	
		A19/0004-17-18-G-25.0	25	
		A19/0004-rubber12-13-02.5	2,5	
		A19/0004-rubber12-13-05.0	5	
		A19/0004-rubber12-13-06.0	6	
	black (exterier)	A19/0004-rubber12-13-25.0	25	12,76-13,52
		A19/0004-rubber17-18-02.5	2,5	
		A19/0004-rubber17-18-05.0	5	
		A19/0004-rubber17-18-06.0	6	16,76-17,52
		A19/0004-rubber17-18-25.0	25	
		A19/0004-rubber21-22-02.5	2,5	
		A19/0004-rubber21-22-05.0	5	20,76-21,52
		A19/0004-rubber21-22-06.0	6	
		A19/0004-rubber21-22-25.0	25	



Quality	Finish	art.	L	glass t
Rubber	black	A19/0004-D-B-100	100	12-21,52

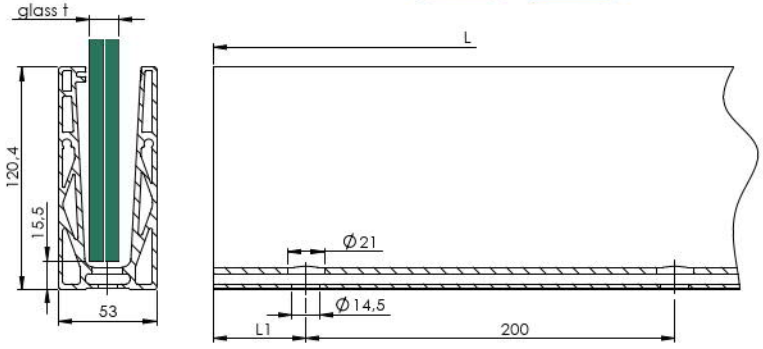


Material	Finish	art.
AISI304	natural	Q10/ANGLE-0-3-60

Material	Finish	art.
AISI304	natural	Q10/60-M16/M10

AL/0004	IN	G/n [kN]	CE	CHEM. ANCHOR (5pcs/m)	CHEM. (1pcs/2,5m)	CHEM. ANCHOR FASTENERS (5pcs/m)	MECH ANCHOR (5pcs/m)
				A5/08-105x11xM8	Q5/01B-400	-	-
OUT	1,2	✓	-	Q5/08-VHG-M8-100/S	Q5/01B-400	W-DIN 7991 M8x20-P	Q5/08-12-125
	0,85	✓	-	-	-	-	Q5/08-FH12-50
	-	-	-	A5/08-105x11xM8	Q5/01B-400	-	-
	-	-	-	-	-	-	A5/08-12-125
	1,2	✓	-	A5/08-VHG-M8-100/A4	Q5/01B-400	W-DIN 7991-A4 M8x20-P	-
	0,85	✓	-	-	-	-	A5/08-HAZ-M8-80SK/A4

MODEL 0004-ECO FIX series

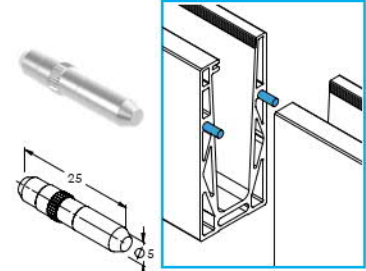
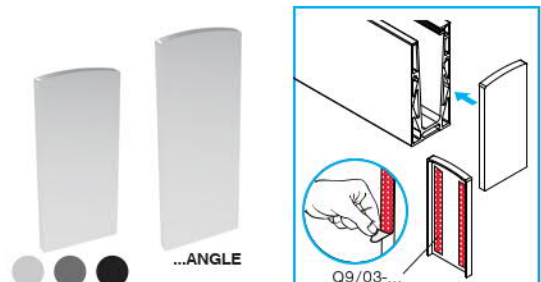


Material	Finish	Effect	art.	L	L1	G/h	glass t	AL/0004-ECO-Drain
ALUMINIUM	satin	ELOX	AL/0004-ECO-2500-S-E	2500	50			
		ELOX	AL/0004-ECO-5000-S-E	5000	100			
		ELOX	AL/0004-ECO-6000-S-E	6000	100			
	natural	ELOX black	AL/0004-ECO-2500-S-EB	2500	50	1kN	12,00-21,52	✓
		ELOX black	AL/0004-ECO-5000-S-EB	5000	100			
		ELOX	AL/0004-ECO-6000-N	6000	100			
matte	RAL 7016	AL/0004-ECO-6000-R7016	6000	100				
	RAL 9005	AL/0004-ECO-6000-R9005	6000	100				

new  
new



Material	Finish	art.
AISI304	natural	Q10/ANGLE-O-3-60



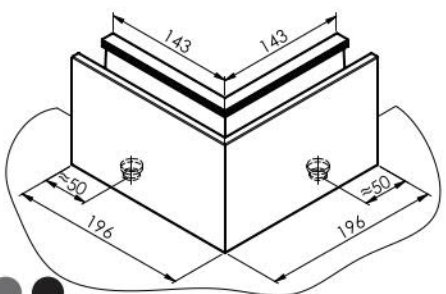
Material	Finish	art.
AISI316	natural	A14/0005-pin

new

Material	Finish	art.
AISI304	natural	Q10/60-M16/M10

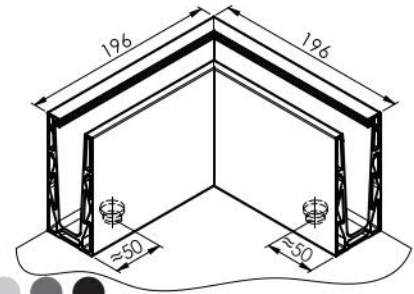
Material	Finish	Effect	art.	slope angle
ALUMINIUM	satin	ELOX	AL/0034-004-ECO-S-E	0°
		ELOX black	AL/0034-004-ECO-S-EB	0°
		ELOX	AL/0034-004-ECO-S-E-ANGLE	≤ 45°
	matte	RAL 7016	AL/0034-004-ECO-R7016	0°
		RAL 9005	AL/0034-004-ECO-R9005	0°

new  
new



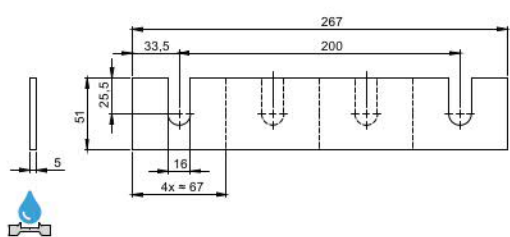
Material	Finish	Effect	art.
ALUMINIUM	satin	ELOX	AL/0004-ECO-S-E-90-IN
		ELOX black	AL/0004-ECO-S-EB-90-IN
	matte	RAL 7016	AL/0004-ECO-R7016-90-IN
		RAL 9005	AL/0004-ECO-R9005-90-IN

new  
new

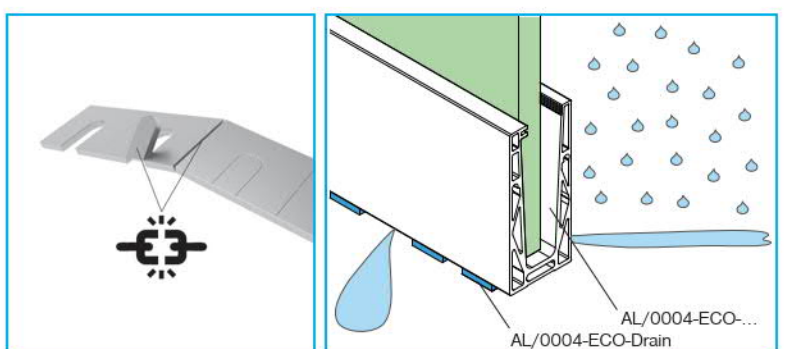


Material	Finish	Effect	art.
ALUMINIUM	satin	ELOX	AL/0004-ECO-S-E-90-OUT
		ELOX black	AL/0004-ECO-S-EB-90-OUT
	matte	RAL 7016	AL/0004-ECO-R7016-90-OUT
		RAL 9005	AL/0004-ECO-R9005-90-OUT

new  
new

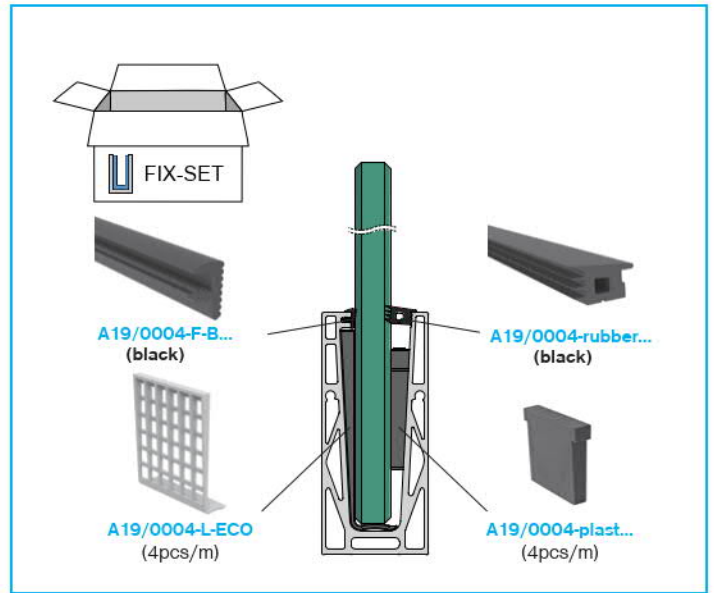


Material	Finish	art.	compatibility	Pcs/m
AISI304	satin	A/0004-ECO-Drain	AL/0004-ECO-...-S-E AL/0004-ECO-...-S-EB	2.5



MODEL 0004-ECO FIX series

Glass t (mm)	L (m)	art.
12 (12)	2,5	A19/0004-012-02.5
	5	A19/0004-012-05.0
	6	A19/0004-012-06.0
	25	A19/0004-012-25.0
12,76 (66.2)	2,5	A19/0004-013-02.5
	5	A19/0004-013-05.0
	6	A19/0004-013-06.0
	25	A19/0004-013-25.0
16,76 (88.2)	2,5	A19/0004-017-02.5
	5	A19/0004-017-05.0
	6	A19/0004-017-06.0
	25	A19/0004-017-25.0
17,52 (88.4)	2,5	A19/0004-018-02.5
	5	A19/0004-018-05.0
	6	A19/0004-018-06.0
	25	A19/0004-018-25.0
20,76 (1010.2)	2,5	A19/0004-021-02.5
	5	A19/0004-021-05.0
	6	A19/0004-021-06.0
	25	A19/0004-021-25.0
21,52 (1010.4)	2,5	A19/0004-022-02.5
	5	A19/0004-022-05.0
	6	A19/0004-022-06.0
	25	A19/0004-022-25.0



PVC-P - interior



EPDM - exterior



PVC-P - interior



EPDM - exterior

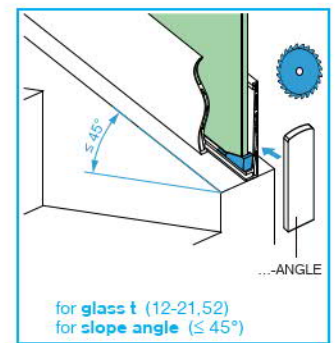
Quality	Finish	art.	L(m)	glass t
Rubber	gray (interior)	A19/0004-F-G-02.5	2,5	12-21,52
		A19/0004-F-G-05.0	5	
		A19/0004-F-G-25.0	25	
	black (exterior)	A19/0004-F-B-02.5	2,5	
		A19/0004-F-B-05.0	5	
		A19/0004-F-B-06.0	6	
A19/0004-F-B-25.0	25			

Quality	Finish	art.	L(m)	glass t		
Rubber	gray (interior)	A19/0004-17-18-G-02.5	2,5	16,76-17,52		
		A19/0004-17-18-G-05.0	5			
		A19/0004-17-18-G-25.0	25			
		black (exterior)	A19/0004-rubber12-13-02.5		2,5	12,76-13,52
			A19/0004-rubber12-13-05.0		5	
			A19/0004-rubber12-13-06.0		6	
	A19/0004-rubber12-13-25.0		25			
	A19/0004-rubber17-18-02.5		2,5	16,76-17,52		
	A19/0004-rubber17-18-05.0		5			
	A19/0004-rubber17-18-06.0	6				
	A19/0004-rubber17-18-25.0	25				
	black (exterior)	A19/0004-rubber21-22-02.5	2,5		20,76-21,52	
		A19/0004-rubber21-22-05.0	5			
		A19/0004-rubber21-22-06.0	6			
		A19/0004-rubber21-22-25.0	25			



AL/glass-mont-PRO

art.	use
AL/glass-mont-PRO	FLEX/FIX

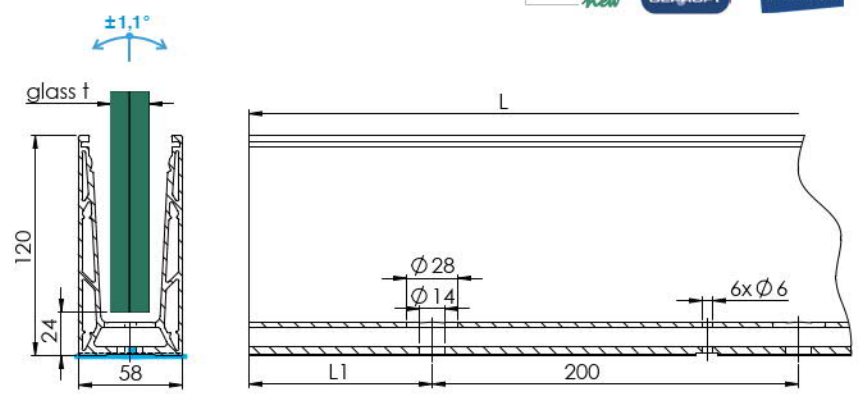


Quality	Finish	art.	L	glass t
Rubber	black	A19/0004-D-B-100	100	12-21,52

Quality	Finish	art.
PETG	gray	A19/glass-stop

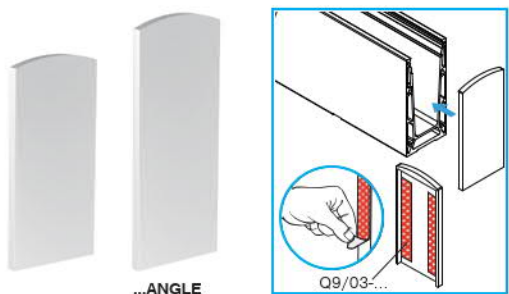
AL/0004-ECO	G/N (kN)	CE	CHEM. ANCHOR (5pcs/m)		CHEM. (1pcs/2,5m)		CHEM. ANCHOR FASTENERS (5pcs/m)		MECH ANCHOR (5pcs/m)	
			art.	art.	art.	art.	art.	art.	art.	art.
IN	-	-	A19/27-M10	-	Q5/01B-400	DIN 7380 M10x20-Zn	DIN 125 10-Zn	-	-	-
	0,7	-	-	Q5/08-VHG-M10-80/S	-	-	-	-	Q5/08-M8-80S/S	-
OUT	1	✓	-	Q5/01B-400	DIN 7380 M10x20-Zn	DIN 125 10-Zn	-	-	Q5/08-HAZ-M8-85S/S	-
	1	-	A19/27-M10	-	Q5/01B-400	A4-DIN 7380 M10x20	A-DIN 125-A2 M10	-	A5/08-M8-80S/S	-
OUT	0,7	-	-	A5/08-VHG-M10-80/A4	Q5/01B-400	A4-DIN 7380 M10x20	A-DIN 125-A2 M10	-	-	-
	1	✓	-	-	-	-	-	-	A5/08-HAZ-M8-85S/A4	-
OUT	0,8	-	-	-	-	-	-	-	-	-

MODEL 0004-LIGHT FLEX series

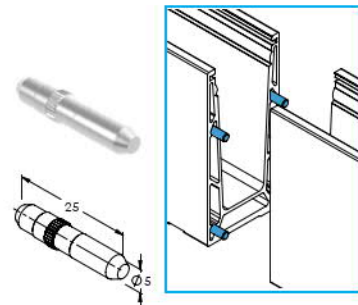


Material	Finish	Effect	art.	L	G/h	L1	glass t			
ALUMINIUM	satin	ELOX	AL/0004-LIGHT-2500-S-E	2500		50				
			AL/0004-LIGHT-5000-S-E	5000	0,5kN	100	12,00-17,52	built in drain	✓	±1,1°
			AL/0004-LIGHT-6000-S-E	6000						

new



...ANGLE

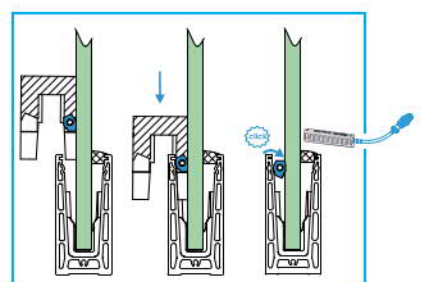
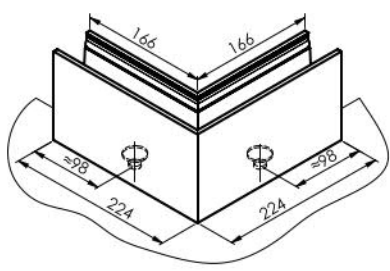


Material	Finish	Effect	art.	slope angle
ALUMINIUM	satin	ELOX	AL/0034-004-LIGHT-S-E	0°
			AL/0034-004-LIGHT-S-E-ANG	≤ 45°

Material	Finish	art.
AISI316	natural	A14/0005-pin

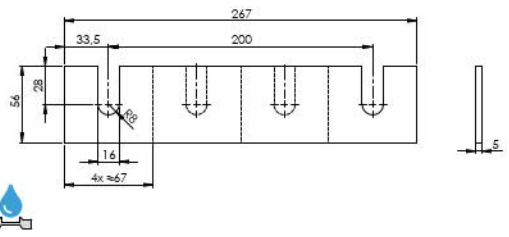
new

Material	Finish	art.
AISI304	natural	Q10/60-M16/M10

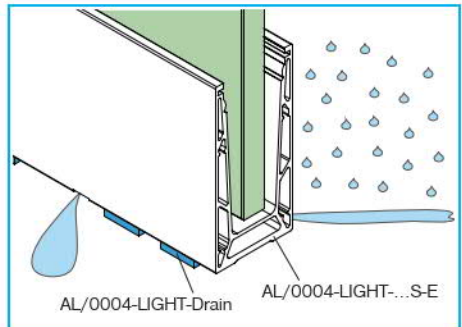


Material	Finish	Effect	art.
ALUMINIUM	satin	ELOX	AL/0004-LIGHT-S-E-90

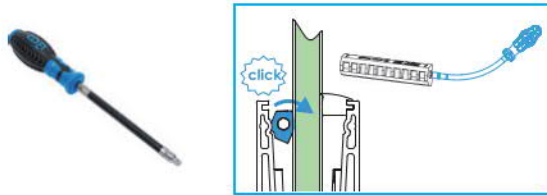
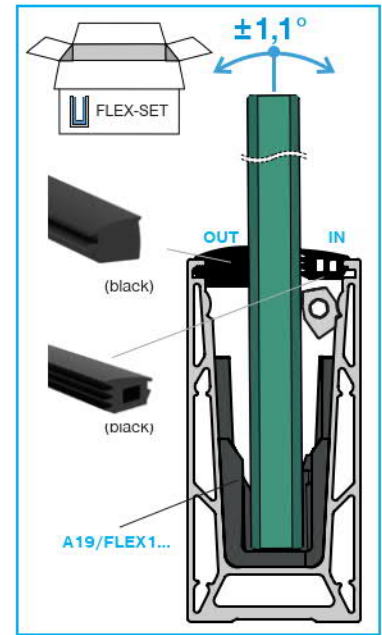
Quality	Finish	art.
PETG	gray	MP/excenter-mount



Material	Finish	art.	compatibility	Pcs/m
AISI304	satin	A/0004-LIGHT-Drain	AL/0004-LIGHT-...	2,5



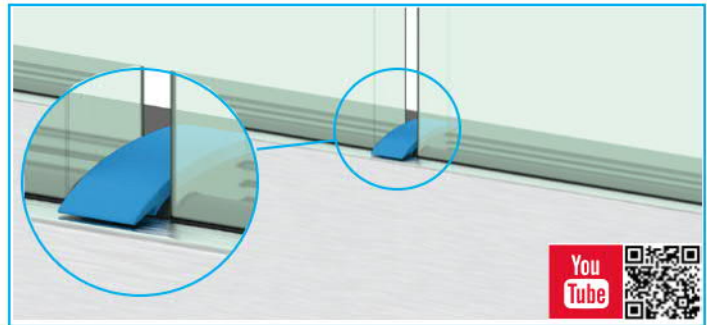
Glass t (mm)	L (m)	FIX	FLEX $\pm 1.1^\circ$
12 (12)	2,5		A19/FLEX1-012-SET-02.5
	5		A19/FLEX1-012-SET-05.0
	6		A19/FLEX1-012-SET-06.0
12,76 (6.6.2)	2,5		A19/FLEX1-013-SET-02.5
	5		A19/FLEX1-013-SET-05.0
	6		A19/FLEX1-013-SET-06.0
13,52 (6.6.4)	2,5		A19/FLEX1-014-SET-02.5
	5		A19/FLEX1-014-SET-05.0
	6		A19/FLEX1-014-SET-06.0
16,76 (6.6.2)	2,5		A19/FLEX1-017-SET-02.5
	5		A19/FLEX1-017-SET-05.0
	6		A19/FLEX1-017-SET-06.0
17,52 (6.8.4)	2,5		A19/FLEX1-018-SET-02.5
	5		A19/FLEX1-018-SET-05.0
	6		A19/FLEX1-018-SET-06.0



art.	total length	ext. square
Q8/70-275-PRO	275mm	1/4"



Quality	Finish	art.	L	glass t
Rubber	black	A19/0004-D-B-100	100	12-21,52

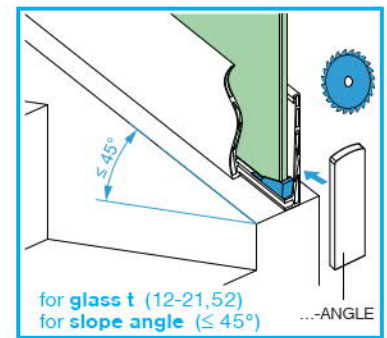


AL/glass-mont-PRO



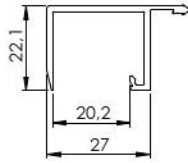
Quality	Finish	art.
PETG	gray	A19/glass-stop

art.	use
AL/glass-mont-PRO	FLEX/FIX

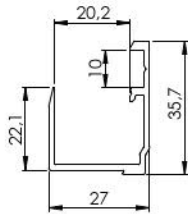
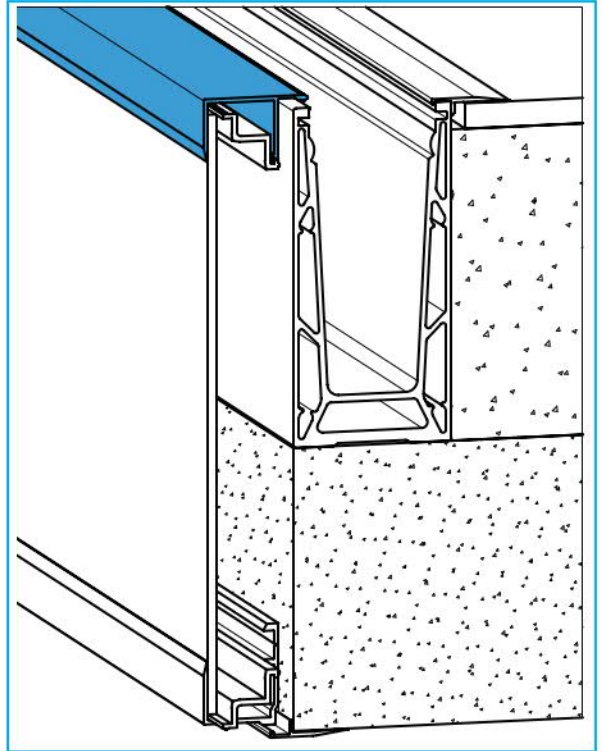


AL/0004-LIGHT	IN	G/n [RN]	CE	CHEM. ANCHOR (5pcs/m)		CHEM. ANCHOR FASTENERS (5pcs/m)		MECH ANCHOR (5pcs/m)	
				A19/27-M10	-	Q5/01B-400	DIN 7380 M10x20-Zn	DIN 125 10-Zn	-
		0,5	-	-	-	-	-	Q5/08-M8-80S/S	-
		0,5	-	Q5/08-VHG-M10-80/S	Q5/01B-400	DIN 7380 M10x20-Zn	DIN 125 10-Zn	-	-
		0,5	✓	-	-	-	-	Q5/08-HAZ-M8-85S/S	-
		0,5	-	-	-	-	-	-	Q5/08-BS-S-10-90/S
	OUT	-	-	A19/27-M10	Q5/01B-400	A4-DIN 7380 M10x20	A-DIN 125-A2 M10	-	-
		0,5	-	-	-	-	-	A5/08-M8-80S/S	-
		0,5	-	A5/08-VHG-M10-80/A4	Q5/01B-400	A4-DIN 7380 M10x20	A-DIN 125-A2 M10	-	-
		0,5	✓	-	-	-	-	A5/08-HAZ-M8-85S/A4	-
		0,5	-	-	-	-	-	-	A5/08-BS-S-10-90/A4

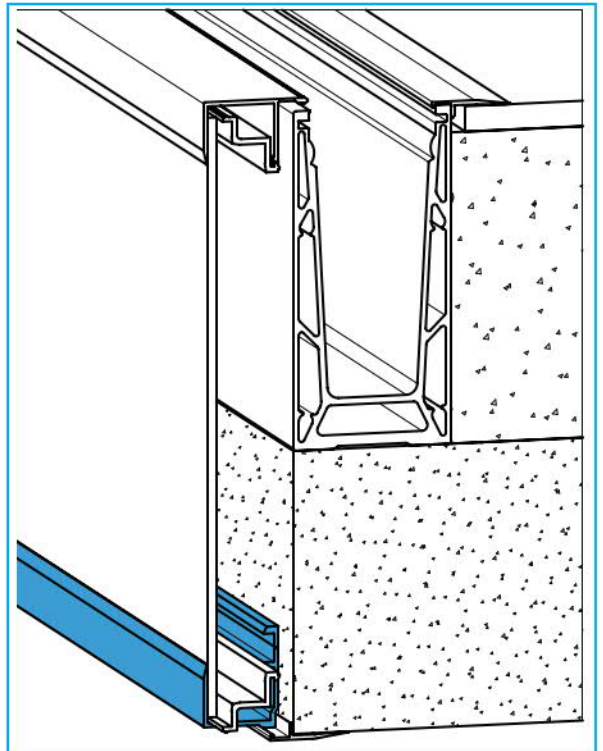
MODEL 0004-LIGHT CONNECTION PROFILES - TOP MOUNT



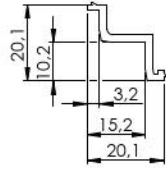
Material	Finish	Effect	art.	L
ALUMINIUM	satin	ELOX	AL/0051-2500-S-E	2500
			AL/0051-5000-S-E	5000
			AL/0051-6000-S-E	6000



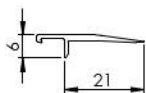
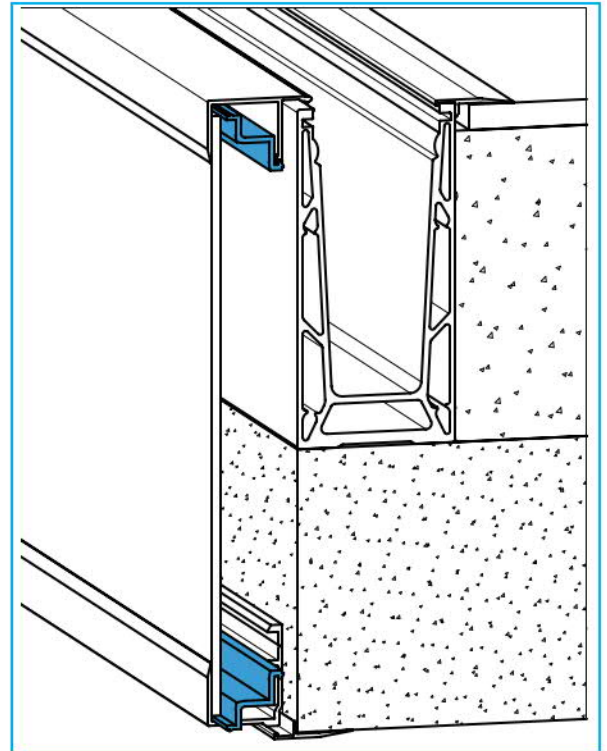
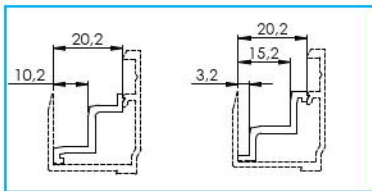
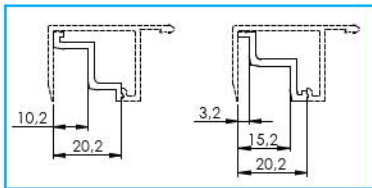
Material	Finish	Effect	art.	L
ALUMINIUM	satin	ELOX	AL/0052-2500-S-E	2500
			AL/0052-5000-S-E	5000
			AL/0052-6000-S-E	6000



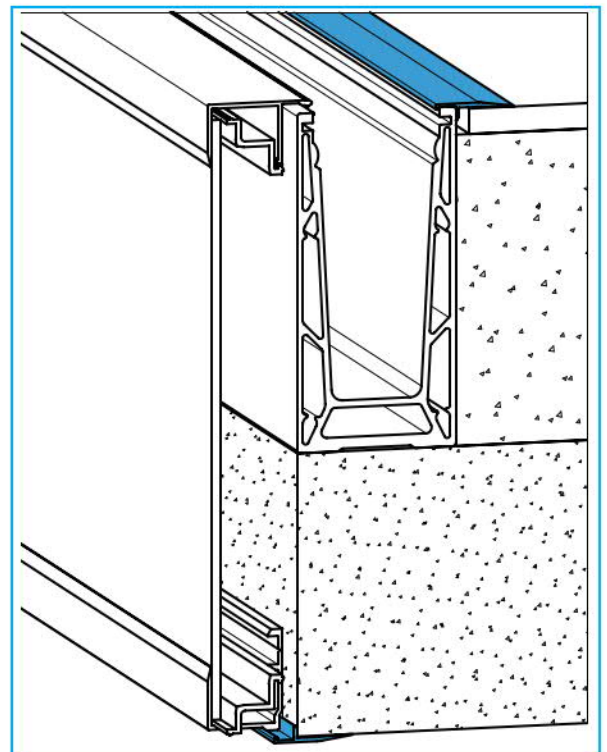




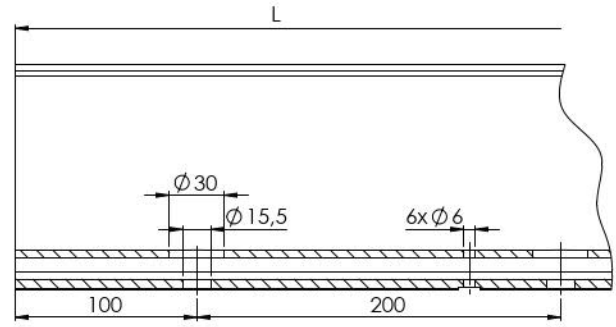
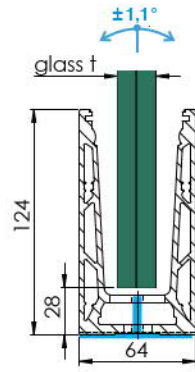
Material	Finish	Effect	art.	L
ALUMINIUM	natur	ELOX	AL/0053-2500-N-E	2500
			AL/0053-5000-N-E	5000
			AL/0053-6000-N-E	6000



Material	Finish	Effect	art.	L
ALUMINIUM	satin	ELOX	AL/0054-2500-S-E	2500
			AL/0054-5000-S-E	5000
			AL/0054-6000-S-E	6000

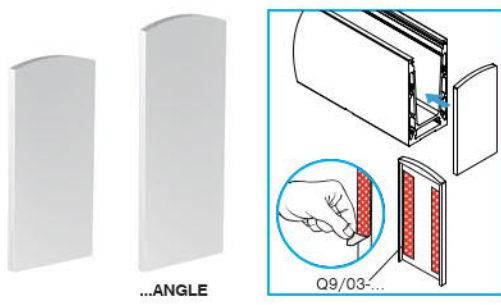


MODEL 0004-UnoXL FLEX series

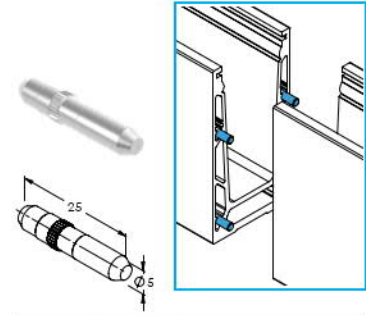


Material	Finish	Effect	art.	L	G/h	L1	glass t			
ALUMINIUM	satin	ELOX	AL/0004-UnoXL-2500-S-E	2500		50				
			AL/0004-UnoXL-5000-S-E	5000	1kN	100	16,76-21,52	built in drain	✓	±1,1°
			AL/0004-UnoXL-6000-S-E	6000						

new



Material	Finish	Effect	art.	slope angle
ALUMINIUM	satin	ELOX	AL/0034-004-UnoXL-S-E	0°
			AL/0034-004-UnoXL-S-E-ANGLE	≤ 45°



Material	Finish	art.
AISI316	natural	A14/0005-pin

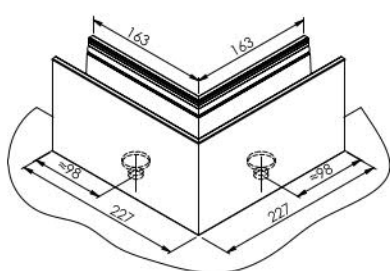
new



Material	Finish	art.
AISI304	natural	Q10/ANGLE-0-3-60



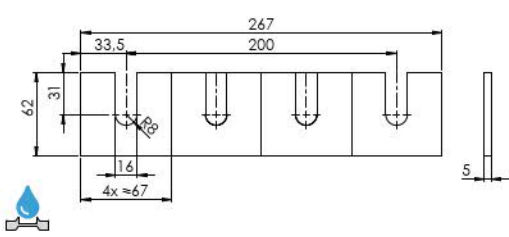
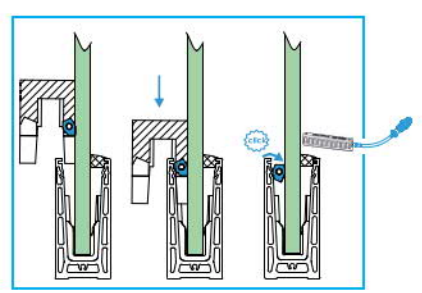
Material	Finish	art.
AISI304	natural	Q10/60-M16/M10



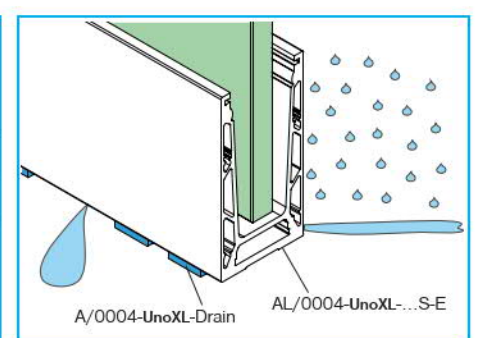
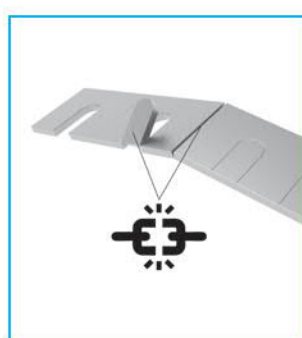
Material	Finish	Effect	art.
ALUMINIUM	satin	ELOX	AL/0004-UnoXL-S-E-90



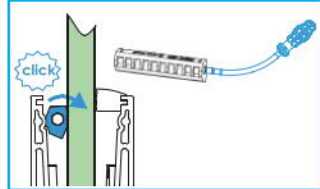
Quality	Finish	art.
PETG	gray	MP/excenter-mount



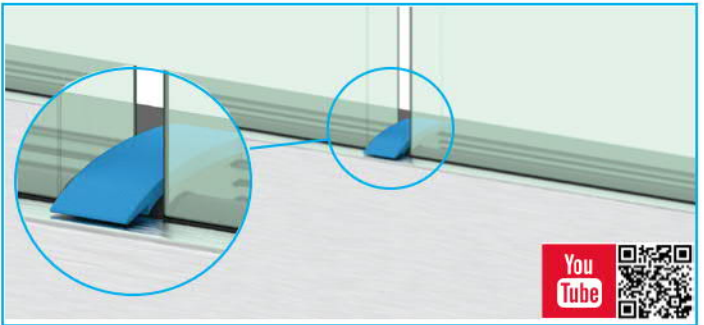
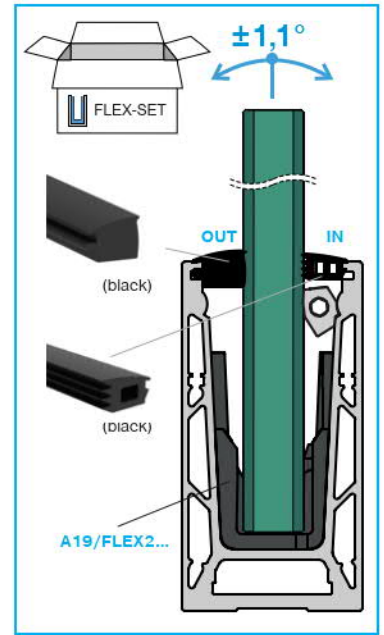
Material	Finish	art.	compatibility	Pcs/m
AISI304	satin	A/0004-UnoXL-Drain	AL/0004-UnoXL-...	2,5



Glass t (mm)	L (m)	FIX	FLEX $\pm 1,1^\circ$
16,76 (8.8.2)	2,5		A19/FLEX2-017-SET-02.5
	5		A19/FLEX2-017-SET-05.0
	6		A19/FLEX2-017-SET-06.0
17,52 (8.8.4)	2,5		A19/FLEX2-018-SET-02.5
	5		A19/FLEX2-018-SET-05.0
	6		A19/FLEX2-018-SET-06.0
20,76 (10.10.2)	2,5		A19/FLEX2-021-SET-02.5
	5		A19/FLEX2-021-SET-05.0
	6		A19/FLEX2-021-SET-06.0
21,52 (10.10.4)	2,5		A19/FLEX2-022-SET-02.5
	5		A19/FLEX2-022-SET-05.0
	6		A19/FLEX2-022-SET-06.0



art.	total length	ext. square
Q8/70-275-PRO	275mm	1/4"



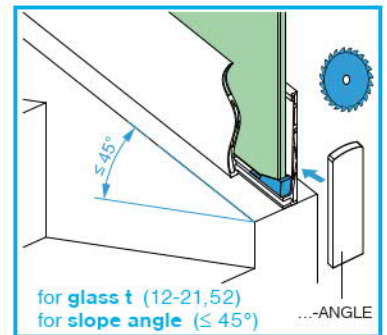
Quality	Finish	art.	L	glass t
Rubber	black	A19/0004-D-B-100	100	12-21,52



AL/glass-mont-PRO



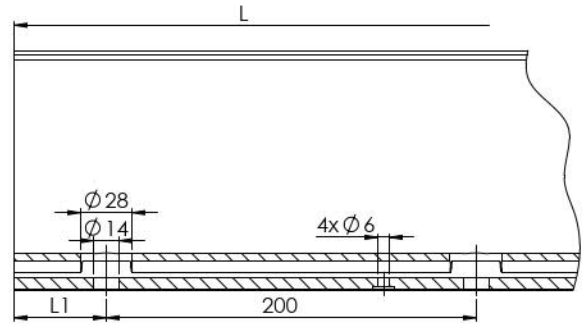
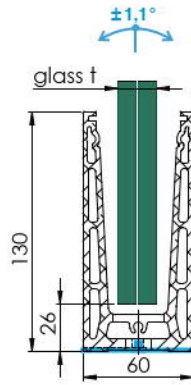
Quality	Finish	art.
PETG	gray	A19/glass-stop



art.	use
AL/glass-mont-PRO	FLEX/FIX

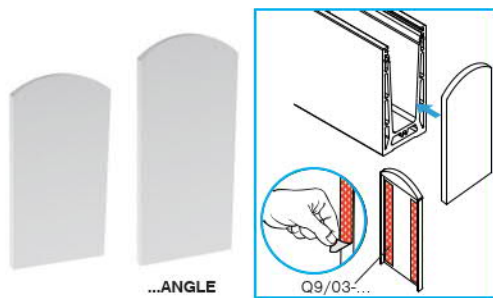
AL/0004-UnoXL	IN	G/m (pcs)	CE	CHEM. ANCHOR (5pcs/m)		CHEM. (1pcs/2,5m)		MECH ANCHOR (5pcs/m)	
				Art.	Part	Art.	Part	Art.	Part
		-		A19/27-M10	-	Q5/01B-400	DIN 7380 M10x20-Zn	DIN 125 10-Zn	-
		0,9		-	-	-	-	-	Q5/08-M8-80S/S
		1		-	Q5/08-VH-G-M10-80/S	Q5/01B-400	DIN 7380 M10x20-Zn	DIN 125 10-Zn	-
		1	✓	-	-	-	-	-	Q5/08-HAZ-M8-85S/S
		1		-	-	-	-	-	Q5/08-BS-S-10-90/S
		-		A19/27-M10	-	Q5/01B-400	A4-DIN 7380 M10x20	A-DIN 125-A2 M10	-
		0,9		-	-	-	-	-	A5/08-M8-80S/S
	OUT	0,9		-	A5/08-VH-G-M10-80/A4	Q5/01B-400	A4-DIN 7380 M10x20	A-DIN 125-A2 M10	-
		1	✓	-	-	-	-	-	A5/08-HAZ-M8-85S/A4
		1		-	-	-	-	-	A5/08-BS-S-10-90/A4

MODEL 0004-PRO FLEX/FIX series



Material	Finish	Effect	art.	L	G/h	L1	glass t			
ALUMINIUM	satin	ELOX	AL/0004-PRO-2500-S-E	2500		50				
			AL/0004-PRO-5000-S-E	5000	2kN (3kN*)	100	12,00-21,52	built in drain	✓	±1,1°
			AL/0004-PRO-6000-S-E	6000						

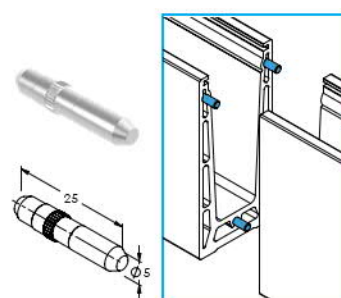
\* 3kN - info according to the test protocol 03/23



...ANGLE



Q9/03-...



Material	Finish	art.
AISI316	natural	A14/0005-pin

new

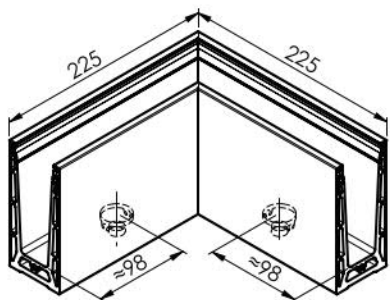


Material	Finish	art.
AISI304	natural	Q10/ANGLE-0-3-60



Material	Finish	art.
AISI304	natural	Q10/60-M16/M10

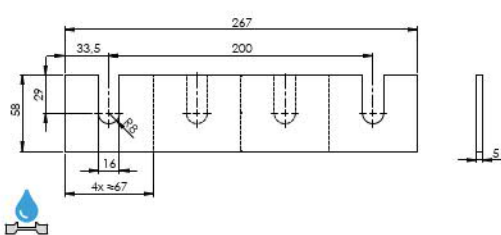
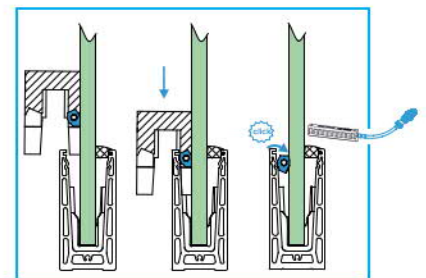
Material	Finish	Effect	art.	slope angle
ALUMINIUM	satin	ELOX	AL/0034-004-PRO-S-E	0°
			AL/0034-004-PRO-S-E-ANGLE	±45°



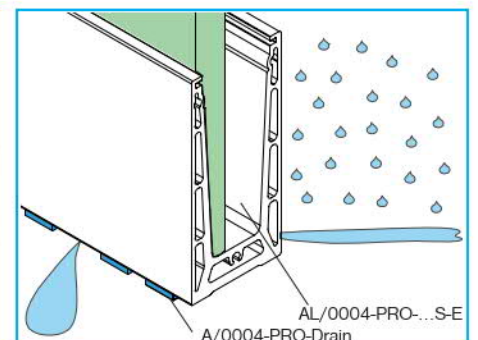
Material	Finish	Effect	art.
ALUMINIUM	satin	ELOX	AL/0004-PRO-S-E-90



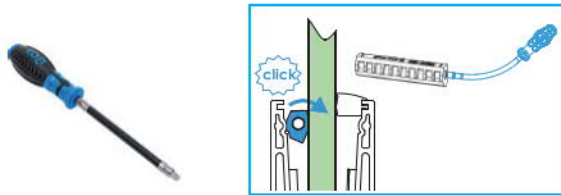
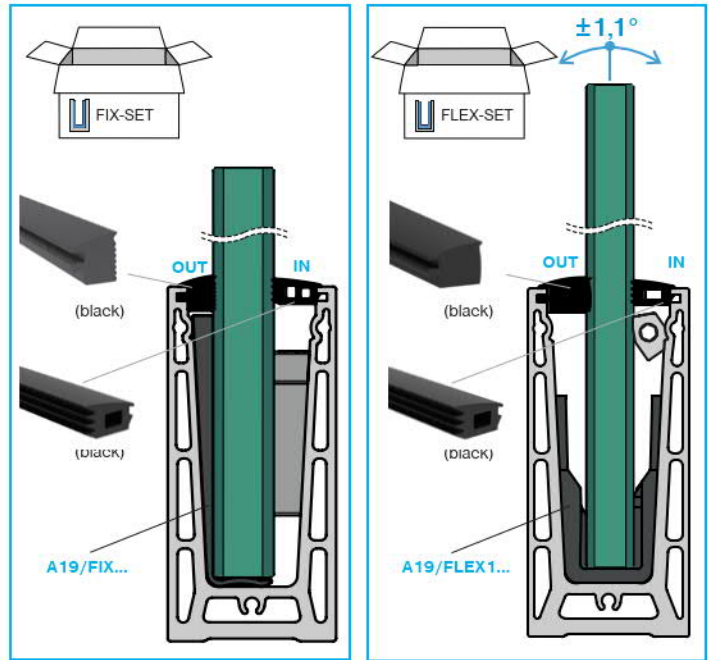
Quality	Finish	art.
PETG	gray	MP/excenter-mount



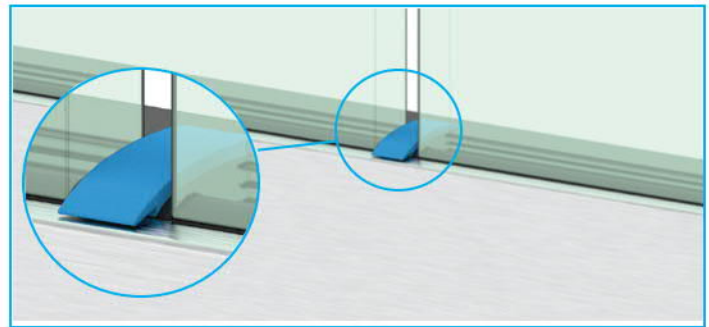
Material	Finish	art.	compatibility	Pcs/m
AISI304	satin	A/0004-PRO-Drain	AL/0004-PRO-...-S-E	2,5



Glass t (mm)	L (m)	FIX	FLEX $\pm 1.1^\circ$
12 (12)	2,5		A19/FLEX-012-SET-02.5
	5		A19/FLEX-012-SET-05.0
	6		A19/FLEX-012-SET-06.0
12,76 (6.6.2)	2,5		A19/FLEX-013-SET-02.5
	5		A19/FLEX-013-SET-05.0
	6		A19/FLEX-013-SET-06.0
13,52 (6.6.4)	2,5		A19/FLEX-014-SET-02.5
	5		A19/FLEX-014-SET-05.0
	6		A19/FLEX-014-SET-06.0
16,76 (8.6.2)	2,5		A19/FLEX-017-SET-02.5
	5		A19/FLEX-017-SET-05.0
	6		A19/FLEX-017-SET-06.0
17,52 (8.8.4)	2,5		A19/FLEX-018-SET-02.5
	5		A19/FLEX-018-SET-05.0
	6		A19/FLEX-018-SET-06.0
20,76 (10.10.2)	2,5	A19/FIX1-21-SET-02.5	
	5	A19/FIX1-21-SET-05.0	
	6	A19/FIX1-21-SET-06.0	
21,52 (10.10.4)	2,5	A19/FIX1-22-SET-02.5	
	5	A19/FIX1-22-SET-05.0	
	6	A19/FIX1-22-SET-06.0	



art.	total length	ext. square
Q8/70-275-PRO	275mm	1/4"



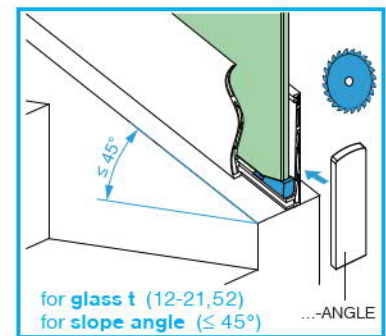
Quality	Finish	art.	L	glass t
Rubber	black	A19/0004-D-B-100	100	12-21,52



art.	use
AL/glass-mont-PRO	FLEX/FIX

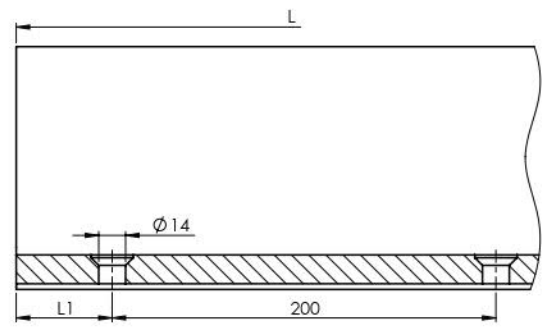
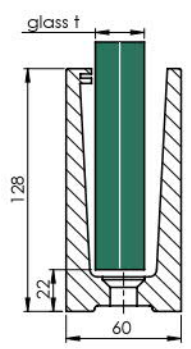
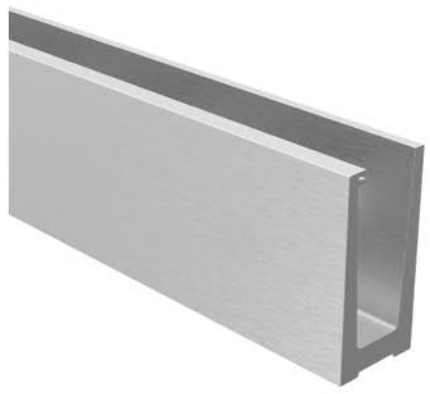


Quality	Finish	art.
PETG	gray	A19/glass-stop

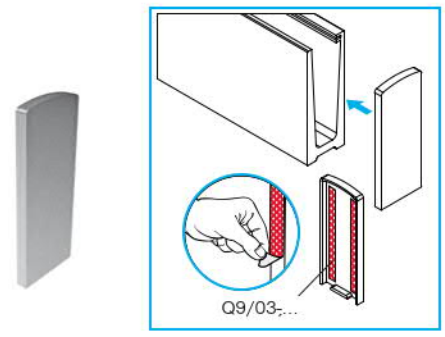


AL/0004-PRO	IN	G/h (kN)	CE	CHEM. ANCHOR (5pcs/m)		CHEM. (1pcs/2,5m)		MECH ANCHOR (5pcs/m)	
				A19/27-M10	-	Q5/01B-400	DIN 7380 M10x20-Zn	DIN 125 10-Zn	-
		0,8	-	-	-	-	-	-	Q5/08-M8-80S/S
		2	-	Q5/08-VHG-M10-80/S	Q5/01B-400	DIN 7380 M10x20-Zn	DIN 125 10-Zn	-	-
		1,2	✓	-	-	-	-	-	Q5/08-HAZ-M8-85S/S
		2	-	-	-	-	-	-	Q5/08-BS-S-10-90/S
		-	-	A19/27-M10	-	Q5/01B-400	A4-DIN 7380 M10x20	A-DIN 125-A2 M10	-
		0,8	-	-	-	-	-	-	A5/08-M8-80S/S
		2	-	A5/08-VHG-M10-80/A4	Q5/01B-400	A4-DIN 7380 M10x20	A-DIN 125-A2 M10	-	-
		0,9	✓	-	-	-	-	-	A5/08-HAZ-M8-85S/A4
		2	-	-	-	-	-	-	A5/08-BS-S-10-90/A4

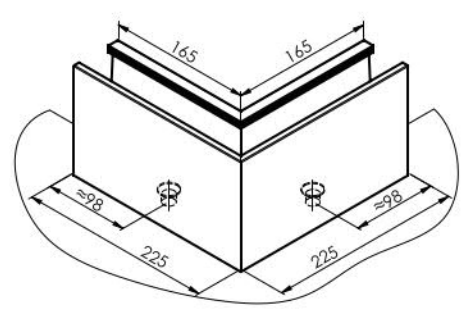
MODEL 0008 FIX series



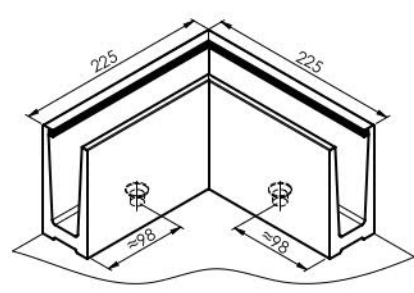
Material	Finish	Effect	art.	L	L1	G/h	glass t
ALUMINIUM	satin	ELOX	AL/0008-2500-S-E	2500	50	3kN	21,52-25,52
			AL/0008-5000-S-E	5000	100		



Material	Finish	Effect	art.
ALUMINIUM	satin	ELOX	AL/0038-004-S-E



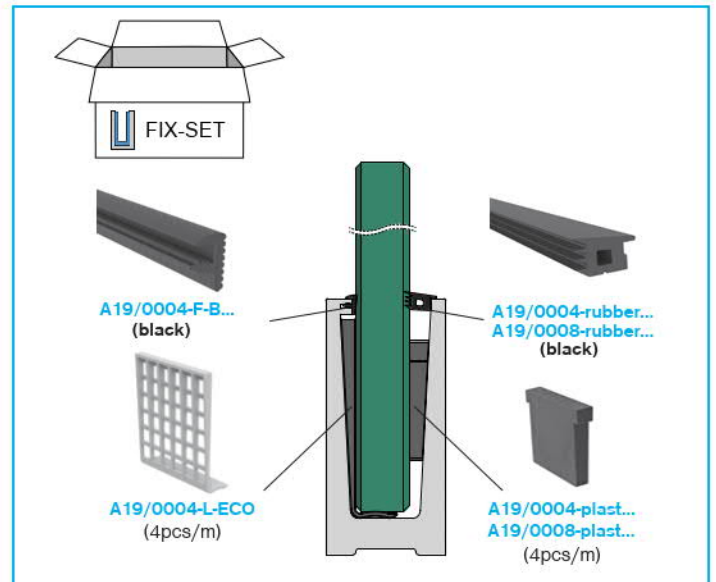
Material	Finish	Effect	art.
ALUMINIUM	satin	ELOX	AL/0008-S-E-90-IN



Material	Finish	Effect	art.
ALUMINIUM	satin	ELOX	AL/0008-S-E-90-OUT

MODEL 0008 FIX series

Glass t (mm)	L (m)	art.
21,52 (1010.4)	2,5	A19/0004-012-02.5
	5	A19/0004-012-05.0
	25	A19/0004-012-25.0
25,52 (1212.4)	2,5	A19/0008-026-02.5
	5	A19/0008-026-05.0
	25	A19/0008-026-25.0



PVC-P - interior



EPDM - exterior



PVC-P - interior



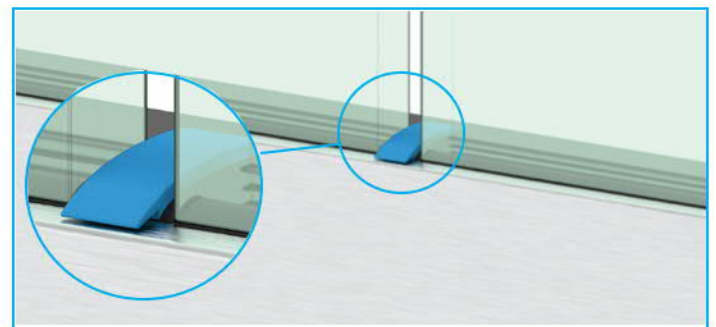
EPDM - exterior

Quality	Finish	art.	L(m)	glass t
Rubber	gray (interier)	A19/0004-F-G-02.5	2,5	12-21,52
		A19/0004-F-G-05.0	5	
		A19/0004-F-G-25.0	25	
	black (exterier)	A19/0004-F-B-02.5	2,5	
		A19/0004-F-B-05.0	5	
		A19/0004-F-B-06.0	6	
		A19/0004-F-B-25.0	25	

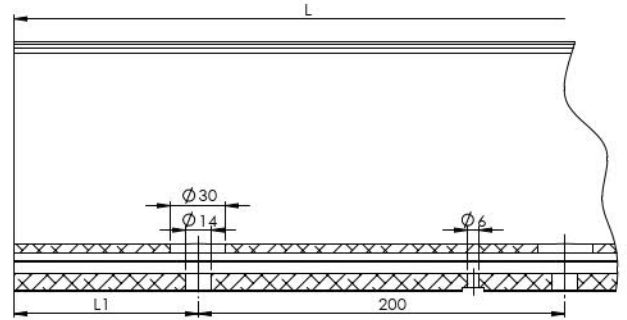
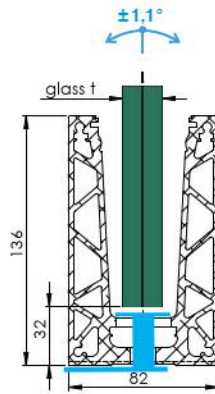
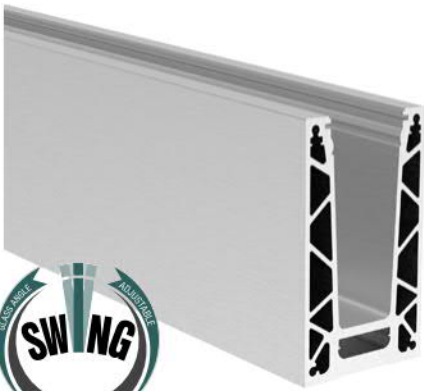
Quality	Finish	art.	L(m)	glass t	
Rubber	gray (interier)	A19/0004-17-18-G-02.5	2,5	16,76-17,52	
		A19/0004-17-18-G-05.0	5		
		A19/0004-17-18-G-25.0	25		
		A19/0004-rubber12-13-02.5	2,5		
		A19/0004-rubber12-13-05.0	5		
		A19/0004-rubber12-13-06.0	6		
	black (exterier)	A19/0004-rubber12-13-25.0	25	12,76-13,52	
		A19/0004-rubber17-18-02.5	2,5		
		A19/0004-rubber17-18-05.0	5		
		A19/0004-rubber17-18-06.0	6		
		A19/0004-rubber17-18-25.0	25		
		A19/0004-rubber21-22-02.5	2,5		20,76-21,52
		A19/0004-rubber21-22-05.0	5		
		A19/0004-rubber21-22-06.0	6		
		A19/0004-rubber21-22-25.0	25		



Quality	Finish	art.	L	glass t
Rubber	black	A19/0004-D-B-100	100	12-21,52

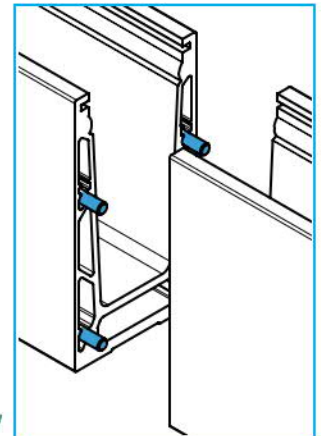
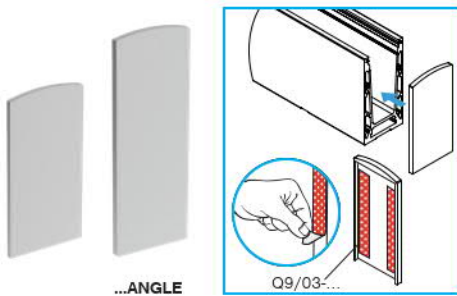


AL/0008	IN	G/n (kN)	CE	CHEM. ANCHOR (5pcs/m)		CHEM. ANCHOR FASTENERS (5pcs/m)		MECH ANCHOR (5pcs/m)	
				Art.	Q5/01B-400	Art.	Q5/01B-400	Art.	Q5/01B-400
OUT	3	1,2	✓	A5/08-105x11xM8	-	Q5/01B-400	-	-	-
				-	Q5/08-VHG-M12-125/S	-	DIN 7991 M12x30-Zn	Q5/08-12-125	
				-	-	-	-	Q5/08-FH12-50	
				-	A5/08-105x11xM8	-	-	-	
	0,9	✓	-	-	Q5/01B-400	-	-	A5/08-12-125	
			-	A5/08-VHG-M12-125/A4	-	A4-DIN 7991 M12x30	-		
			-	-	-	-	-		
			-	-	-	-	A5/08-HAZ-M8-80SK/A4		



Material	Finish	Effect	art.	L	L1	G/h	glass t		
ALUMINIUM	satin	ELOX	AL/0008-ProXL-2500-S-E	2500	50	3kN	16,76-31,52	built in drain	±1,1°
			AL/0008-ProXL-5000-S-E	5000	100				
			AL/0008-ProXL-6000-S-E	6000					

new  
new  
new

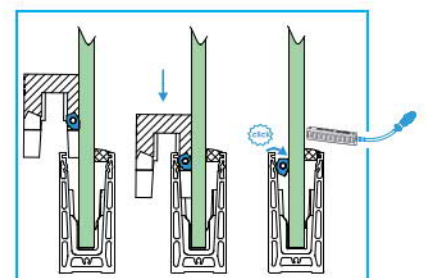
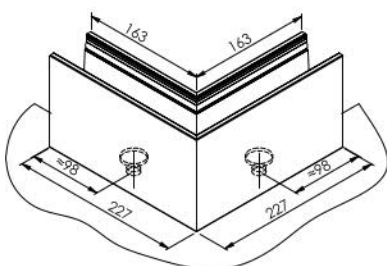


Material	Finish	Effect	art.	slope angle
ALUMINIUM	satin	ELOX	AL/0034-008-ProXL-S-E	0°
			AL/0034-008-ProXL-S-E-ANG	≤ 45°

new  
new

Material	Finish	art.
AISI316	natural	A14/0005-pin

new



Material	Finish	Effect	art.
ALUMINIUM	satin	ELOX	AL/0008-ProXL-S-E-90

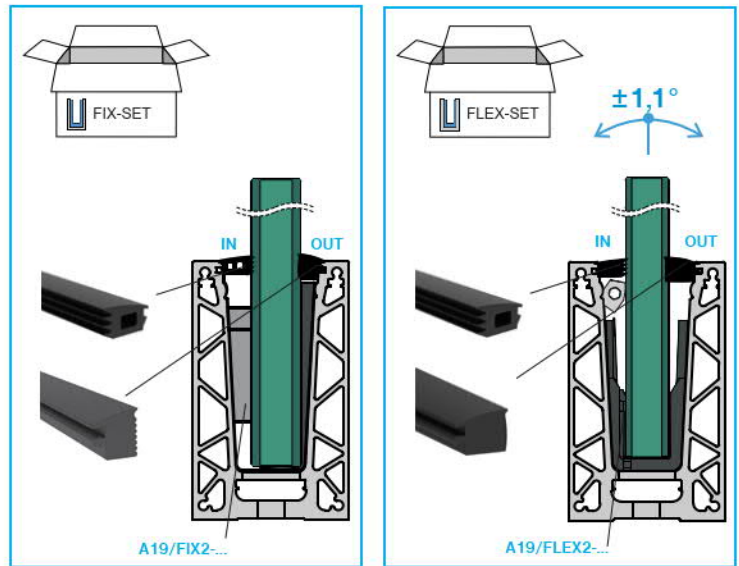
new

Quality	Finish	art.
PETG	gray	MP/excenter-mount

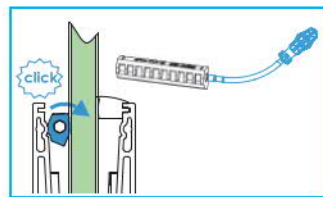
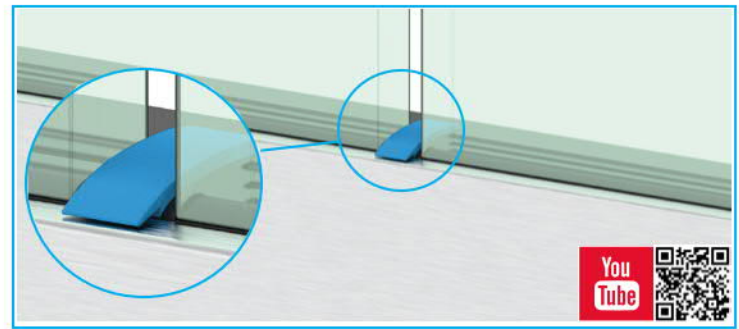


MODEL 0008-PROXL FLEX/FIX series

Glass t (mm)	L (m)	FIX	FLEX $\pm 1.1^\circ$
16,76 (8.8.2)	2,5		A19/FLEX2-017-SET-02.5
	5		A19/FLEX2-017-SET-05.0
	6		A19/FLEX2-017-SET-06.0
17,52 (8.8.4)	2,5		A19/FLEX2-018-SET-02.5
	5		A19/FLEX2-018-SET-05.0
	6		A19/FLEX2-018-SET-06.0
20,76 (10.10.2)	2,5		A19/FLEX2-021-SET-02.5
	5		A19/FLEX2-021-SET-05.0
	6		A19/FLEX2-021-SET-06.0
21,52 (10.10.4)	2,5		A19/FLEX2-022-SET-02.5
	5		A19/FLEX2-022-SET-05.0
	6		A19/FLEX2-022-SET-06.0
24,76 (12.12.2)	2,5	A19/FIX2-25-SET-02.5	
	5	A19/FIX2-25-SET-05.0	
	6	A19/FIX2-25-SET-06.0	
25,52 (12.12.4)	2,5	A19/FIX2-26-SET-02.5	
	5	A19/FIX2-26-SET-05.0	
	6	A19/FIX2-26-SET-06.0	
31,52 (15.15.4)	2,5	A19/FIX2-32-SET-02.5	
	5	A19/FIX2-32-SET-05.0	
	6	A19/FIX2-32-SET-06.0	



Quality	Finish	art.	L	glass t
Rubber	black	A19/0004-D-B-100	100	12-21,52

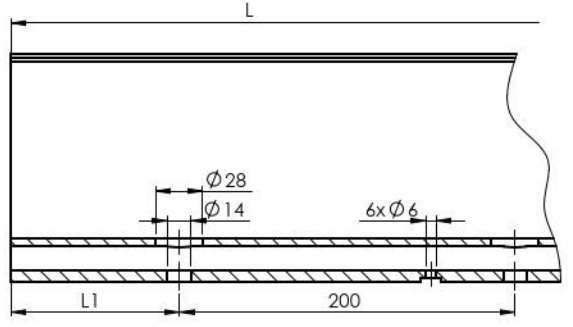
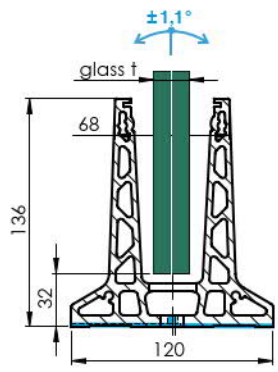


art.	total length	ext. square
Q8/70-275-PRO	275mm	1/4"

art.	use
AL/glass-mont-PRO	FLEX/FIX

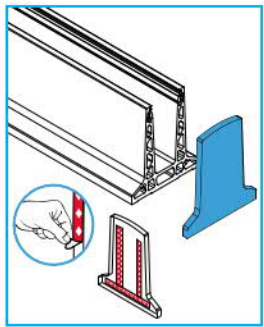
AL/0008-ProXL	G/m (EAN)	CE	CHEM. ANCHOR (5pcs/m)		CHEM. (1pcs/2,5m)		MECH ANCHOR (5pcs/m)		
			IN	OUT	IN	OUT	IN	OUT	
-	-	-	A19/27-M10	-	Q5/01B-400	DIN 7380 M10x20-Zn	DIN 125 10-Zn	-	-
1,1	-	-	-	Q5/08-VHG-M10-80/S	Q5/01B-400	DIN 7380 M10x20-Zn	DIN 125 10-Zn	Q5/08-M8-80S/S	-
3	-	-	-	-	-	-	-	-	-
1,7	✓	-	-	-	-	-	-	Q5/08-HAZ-M8-85S/S	-
3	-	-	-	-	-	-	-	-	Q5/08-BS-S-10-90/S
-	-	-	A19/27-M10	-	Q5/01B-400	A4-DIN 7380 M10x20	A-DIN 125-A2 M10	-	-
1,1	-	-	-	-	-	-	-	A5/08-M8-80S/S	-
3	-	-	-	A5/08-VHG-M10-80/A4	Q5/01B-400	A4-DIN 7380 M10x20	A-DIN 125-A2 M10	-	-
1,2	✓	-	-	-	-	-	-	A5/08-HAZ-M8-85S/A4	-
3	-	-	-	-	-	-	-	-	A5/08-BS-S-10-90/A4

MODEL 0019 FLEX/FIX series

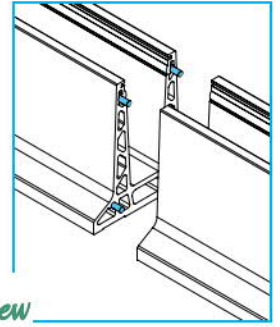
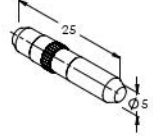


Material	Finish	Effect	art.	L	L1	G/h	glass t			
ALUMINIUM	satin	ELOX	AL/0019-2500-N-E	2500	50	3kN	16,76-31,52	built in drain	✓	±1,1°
			AL/0019-5000-N-E	5000	100					
			AL/0019-6000-N-E	6000						

new

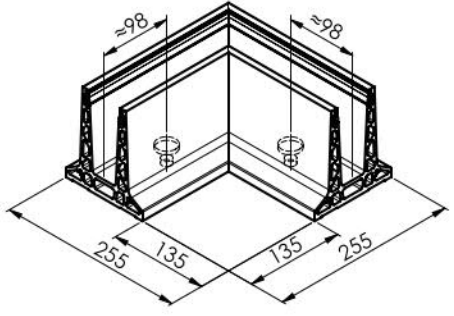


Material	Finish	Effect	art.
ALUMINIUM	satin	ELOX	AL/0034-019-N-E

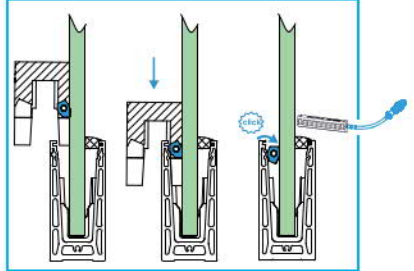


Material	Finish	art.
AISI316	natural	A14/0005-pin

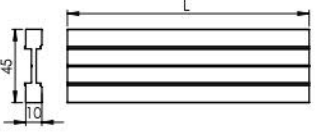
new



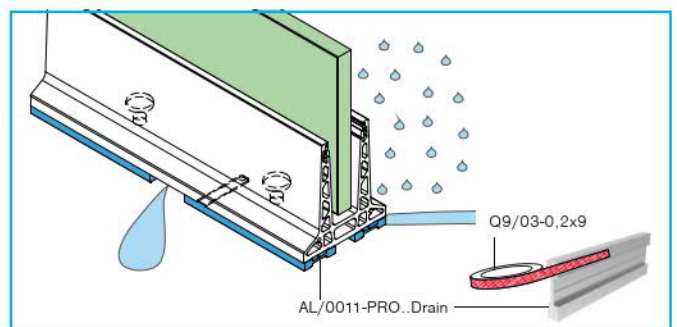
Material	Finish	Effect	art.
ALUMINIUM	satin	ELOX	AL/0019-N-E-90



Quality	Finish	art.
PETG	gray	MP/excenter-mount

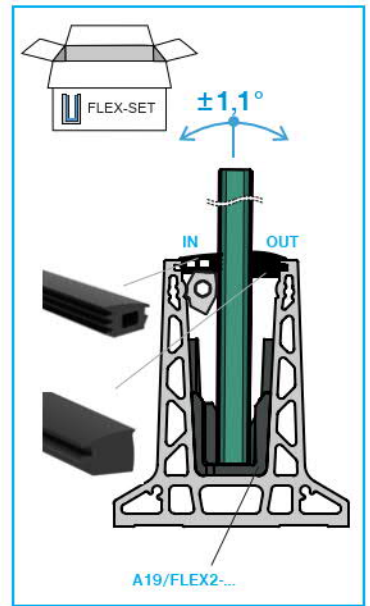
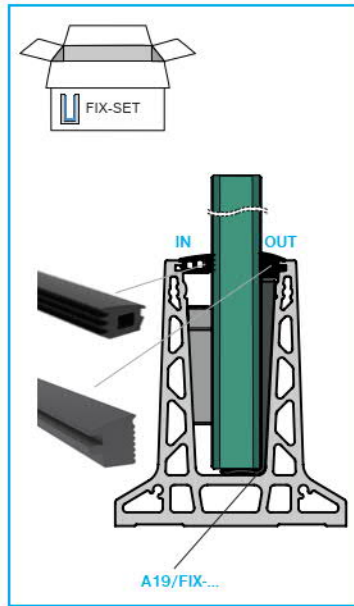


Material	Finish	Effect	art.	L
ALUMINIUM	satin	ELOX	AL/0011-PRO-S-E-1250-Drain	1250
			AL/0011-PRO-S-E-2500-Drain	2500

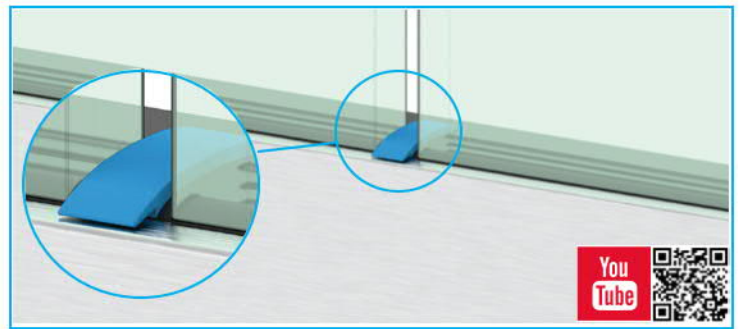


MODEL 0019 FLEX/FIX series

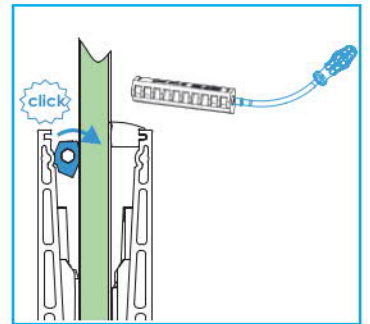
Glass t (mm)	L (m)	FIX	FLEX $\pm 1,1^\circ$
16,76 (8.8.2)	2,5		A19/FLEX2-017-SET-02.5
	5		A19/FLEX2-017-SET-05.0
	6		A19/FLEX2-017-SET-06.0
17,52 (8.8.4)	2,5		A19/FLEX2-018-SET-02.5
	5		A19/FLEX2-018-SET-05.0
	6		A19/FLEX2-018-SET-06.0
20,76 (10.10.2)	2,5		A19/FLEX2-021-SET-02.5
	5		A19/FLEX2-021-SET-05.0
	6		A19/FLEX2-021-SET-06.0
21,52 (10.10.4)	2,5		A19/FLEX2-022-SET-02.5
	5		A19/FLEX2-022-SET-05.0
	6		A19/FLEX2-022-SET-06.0
24,76 (12.12.2)	2,5	A19/FIX2-25-SET-02.5	
	5	A19/FIX2-25-SET-05.0	
	6	A19/FIX2-25-SET-06.0	
25,52 (12.12.4)	2,5	A19/FIX2-26-SET-02.5	
	5	A19/FIX2-26-SET-05.0	
	6	A19/FIX2-26-SET-06.0	
31,52 (15.15.4)	2,5	A19/FIX2-32-SET-02.5	
	5	A19/FIX2-32-SET-05.0	
	6	A19/FIX2-32-SET-06.0	



Quality	Finish	art.	L	glass t
Rubber	black	A19/0004-D-B-100	100	12-21,52



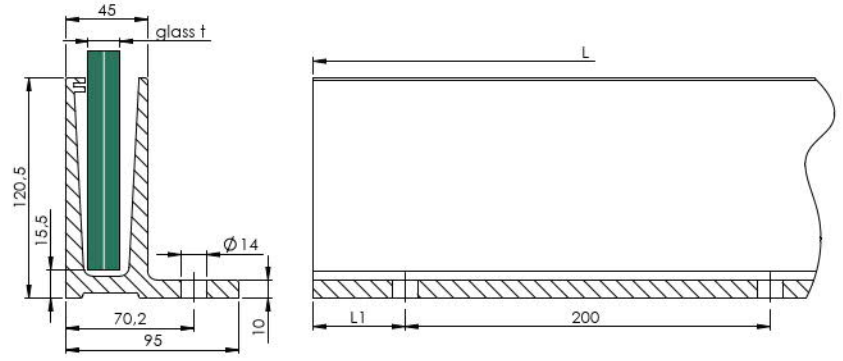
AL/glass-mont-PRO



art.	use
AL/glass-mont-PRO	FLEX/FIX

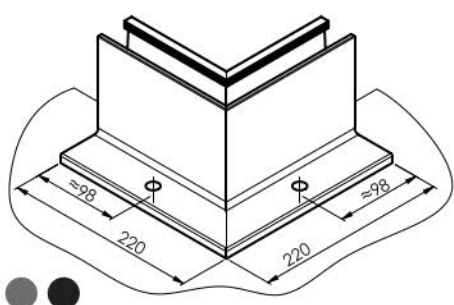
art.	total length	ext. square
Q8/70-275-PRO	275mm	1/4"

AL/0019	G/n (RN)	CE	CHEM. ANCHOR (5pcs/m)		CHEM. (1pcs/2,5m)	MECH ANCHOR (5pcs/m)			
			A19/27-M10	-	Q5/01B-400	DIN 7380 M10x20-Zn	DIN 125 10-Zn	-	-
IN	-	-	A19/27-M10	-	Q5/01B-400	DIN 7380 M10x20-Zn	DIN 125 10-Zn	-	-
	1,7	-	-	Q5/08-VHG-M10-80/S	Q5/01B-400	DIN 7380 M10x20-Zn	DIN 125 10-Zn	Q5/08-M8-80S/S	-
	3	✓	-	-	-	-	-	Q5/08-HAZ-M8-85S/S	-
OUT	2,5	✓	-	-	-	-	-	Q5/08-HAZ-M8-85S/S	-
	3	-	-	-	-	-	-	Q5/08-BS-S-10-90/S	-
	-	-	A19/27-M10	-	Q5/01B-400	A4-DIN 7380 M10x20	A-DIN 125-A2 M10	-	-
OUT	1,7	-	-	-	-	-	-	A5/08-M8-80S/S	-
	3	-	-	A5/08-VHG-M10-80/A4	Q5/01B-400	A4-DIN 7380 M10x20	A-DIN 125-A2 M10	-	-
	1,8	✓	-	-	-	-	-	A5/08-HAZ-M8-85S/A4	-
	3	-	-	-	-	-	-	A5/08-BS-S-10-90/A4	-



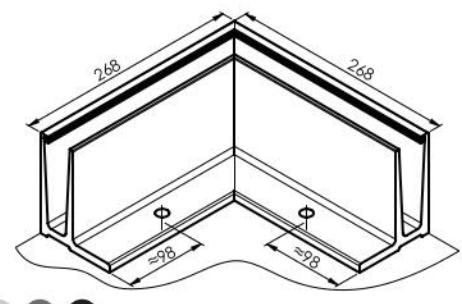
Material	Finish	Effect	art.	L	L1	G/h	glass t	A/0006-Drain
ALUMINIUM	satin	ELOX	AL/0006-1250-S-E	1250				
			AL/0006-2500-S-E	2500	50			
			AL/0006-5000-S-E	5000				
			AL/0006-6000-S-E	6000	100	3kN	12,00-21,52	✓
	matte	RAL 7016	AL/0006-6000-R7016	6000				
	RAL 9005	AL/0006-6000-R9005						

*top*  
*new*  
*new*



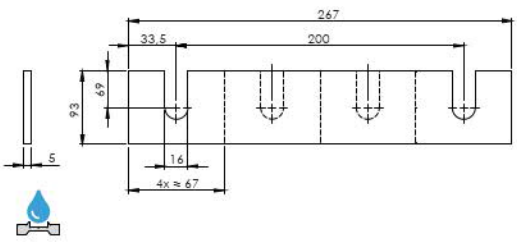
Material	Finish	Effect	art.
ALUMINIUM	satin	ELOX	AL/0006-S-E-90-IN
	matte	RAL 7016	AL/0006-R7016-90-IN
	RAL 9005	AL/0006-R9005-90-IN	

*new*  
*new*

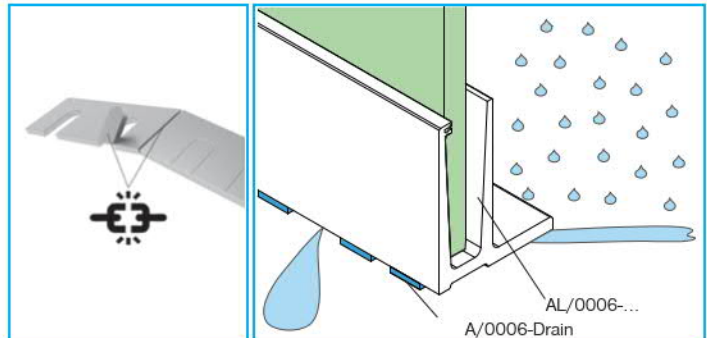


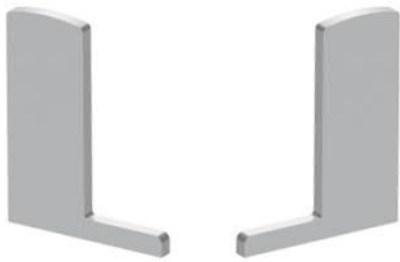
Material	Finish	Effect	art.
ALUMINIUM	satin	ELOX	AL/0006-S-E-90-OUT
	matte	RAL 7016	AL/0006-R7016-90-OUT
	RAL 9005	AL/0006-R9005-90-OUT	

*new*  
*new*



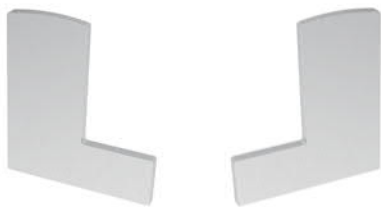
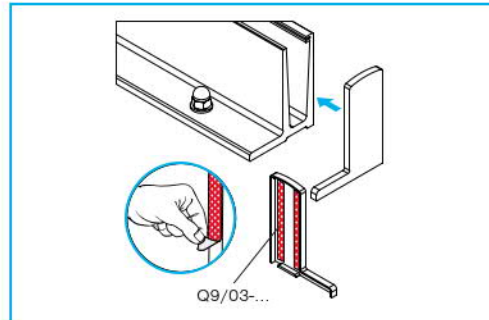
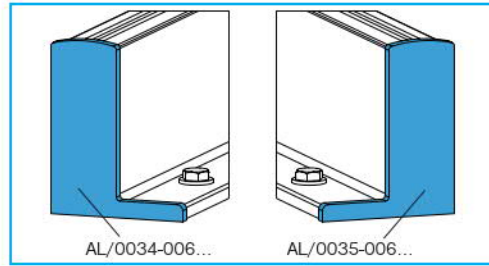
Material	Finish	art.	compatibility	Pcs/m
AISI304	natural	A/0006-Drain	AL/0006-...-S-E	2,5



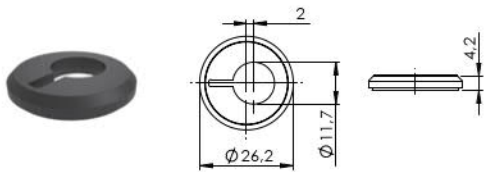
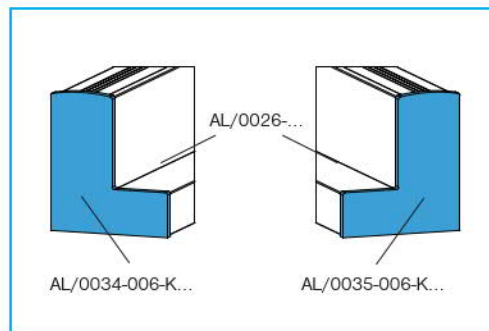


Material	Finish	Effect	art.
ALUMINIUM	satin	ELOX	AL/0034-006-S-E
	matte	RAL 9005	AL/0034-006-R9005
		RAL 7016	AL/0034-006-R7016
	satin	ELOX	AL/0035-006-S-E
	matte	RAL 9005	AL/0035-006-R9005
		RAL 7016	AL/0035-006-R7016

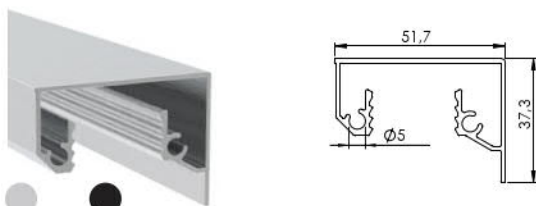
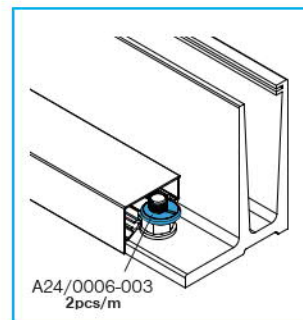
*new  
new  
new  
new*



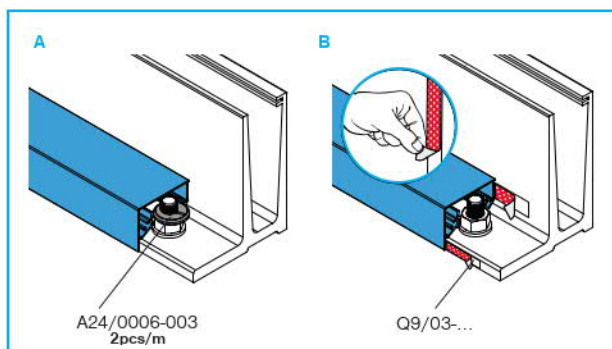
Material	Finish	Effect	art.
ALUMINIUM	satin	ELOX	AL/0034-006-K-S-E
			AL/0035-006-K-S-E



Quality	Finish	art.
PVC	black	A24/0006-003

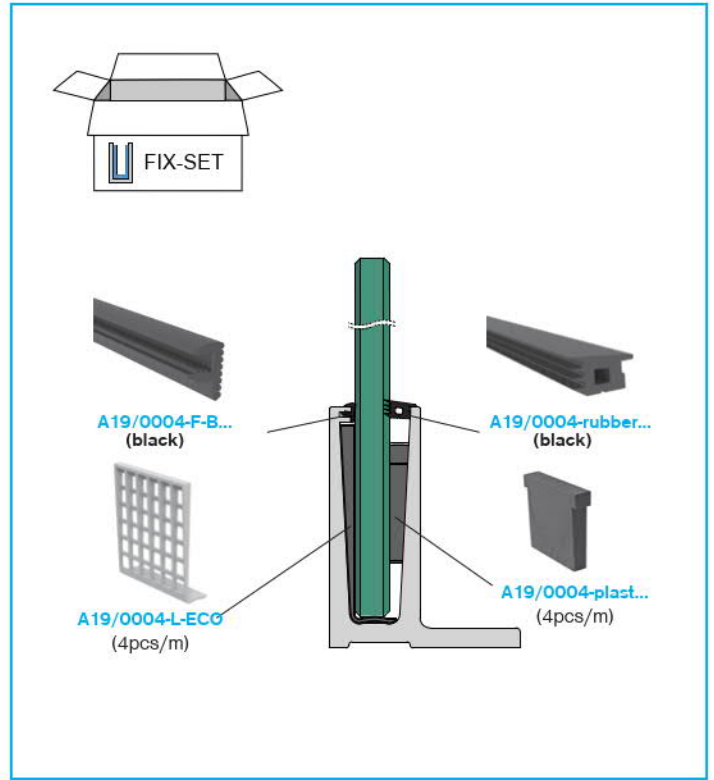


Material	Finish	Effect	art.	L
ALUMINIUM	satin	ELOX	AL/0026-2500-S-E	2500
			AL/0026-5000-S-E	5000
			AL/0026-6000-S-E	6000
		ELOX black	AL/0026-2500-S-EB	2500
			AL/0026-5000-S-EB	5000



MODEL 0006 FIX series

Glass t (mm)	L (m)	art.
12 (12)	2,5	A19/0004-012-02.5
	5	A19/0004-012-05.0
	6	A19/0004-012-06.0
	25	A19/0004-012-25.0
12,76 (66.2)	2,5	A19/0004-013-02.5
	5	A19/0004-013-05.0
	6	A19/0004-013-06.0
	25	A19/0004-013-25.0
16,76 (88.2)	2,5	A19/0004-017-02.5
	5	A19/0004-017-05.0
	6	A19/0004-017-06.0
	25	A19/0004-017-25.0
17,52 (88.4)	2,5	A19/0004-018-02.5
	5	A19/0004-018-05.0
	6	A19/0004-018-06.0
	25	A19/0004-018-25.0
20,76 (1010.2)	2,5	A19/0004-021-02.5
	5	A19/0004-021-05.0
	6	A19/0004-021-06.0
	25	A19/0004-021-25.0
21,52 (1010.4)	2,5	A19/0004-022-02.5
	5	A19/0004-022-05.0
	6	A19/0004-022-06.0
	25	A19/0004-022-25.0

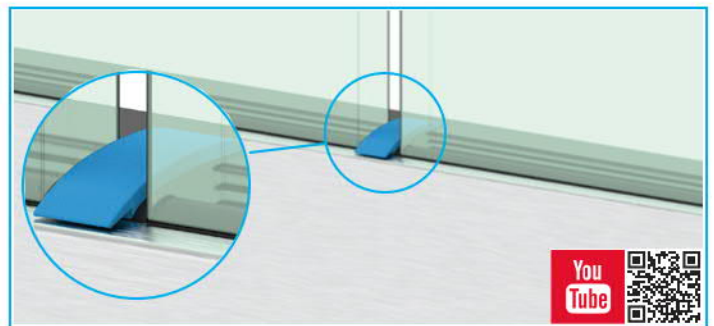



Quality	Finish	art.	L(m)	glass t
Rubber	gray (interier)	A19/0004-F-G-02.5	2,5	12-21,52
		A19/0004-F-G-05.0	5	
		A19/0004-F-G-25.0	25	
	black (exterier)	A19/0004-F-B-02.5	2,5	
		A19/0004-F-B-05.0	5	
		A19/0004-F-B-06.0	6	
		A19/0004-F-B-25.0	25	

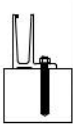
Quality	Finish	art.	L(m)	glass t	
Rubber	gray (interier)	A19/0004-17-18-G-02.5	2,5	16,76-17,52	
		A19/0004-17-18-G-05.0	5		
		A19/0004-17-18-G-25.0	25		
	black (exterier)	A19/0004-rubber12-13-02.5	2,5		12,76-13,52
		A19/0004-rubber12-13-05.0	5		
		A19/0004-rubber12-13-06.0	6		
		A19/0004-rubber12-13-25.0	25		
		A19/0004-rubber17-18-02.5	2,5		16,76-17,52
		A19/0004-rubber17-18-05.0	5		
		A19/0004-rubber17-18-06.0	6		
		A19/0004-rubber17-18-25.0	25		
		A19/0004-rubber21-22-02.5	2,5		20,76-21,52
		A19/0004-rubber21-22-05.0	5		
		A19/0004-rubber21-22-06.0	6		
		A19/0004-rubber21-22-25.0	25		



Quality	Finish	art.	L	glass t
Rubber	black	A19/0004-D-B-100	100	12-21,52



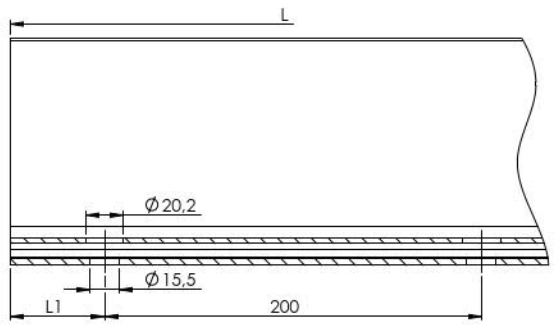
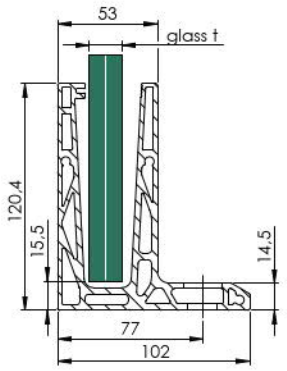
AL/0006 <sup>1</sup>	G/B [kN]	CE	CHEM. ANCHOR (5pcs/m)		CHEM. (1pcs/2,5m)	CHEM. ANCHOR FASTENERS (5pcs/m)		MECH ANCHOR (5pcs/m)	
			A-DIN 975 M12-120	-	Q5/01B-400	A-DIN 934 M12	A-DIN 125-A2 M12	-	
	IN	-	-	-	-	-	-	-	
		3	-	Q5/08-VM 250-M12-160	Q5/01B-400	-	-	Q5/06-12x110CE	
		0,85	✓	-	-	-	-	Q5/08-FBN12-30	
	OUT	-	-	A-DIN 975 M12-120	-	Q5/01B-400	A-DIN 934 M12	A-DIN 125-A2 M12	-
		3	-	-	A5/08-VM 250-M12-160-A4	Q5/01B-400	-	-	A-Q5/06-12x110CE
		3	✓	-	-	-	-	-	A4-Q5/06-12x110CE

AL/0006 <sup>2</sup>	G/B [kN]	CE	CHEM. ANCHOR (5pcs/m)		CHEM. (1pcs/2,5m)	CHEM. ANCHOR FASTENERS (5pcs/m)		MECH ANCHOR (5pcs/m)	
			A-DIN 975 M12-120	-	Q5/01B-400	A-DIN 934 M12	A-DIN 125-A2 M12	-	
	IN	-	-	-	-	-	-	-	
		2	-	Q5/08-VM 250-M12-160	Q5/01B-400	-	-	Q5/08-M8-120S/S	
		3	✓	-	-	-	-	Q5/08-HAZ-M8-85S/S	
	OUT	-	-	A-DIN 975 M12-120	-	Q5/01B-400	A-DIN 934 M12	A-DIN 125-A2 M12	-
		2	-	-	-	-	-	-	A5/08-M8-120S/S
		3	✓	-	A5/08-VM 250-M12-160-A4	Q5/01B-400	-	-	-
2,2	-	-	-	-	-	-	A5/08-HAZ-M8-85S/A4		

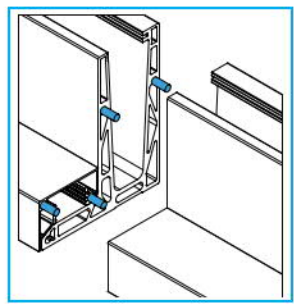
MODEL 0006-ECO FIX series



Black ELOX ALUMINIUM

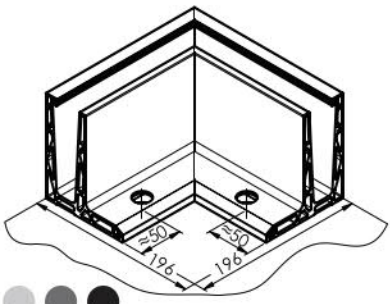
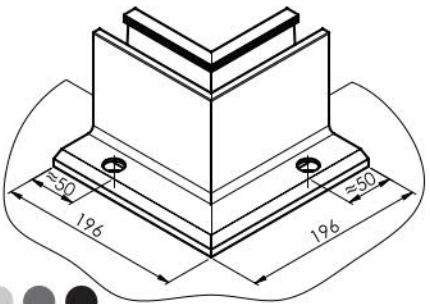


Material	Finish	Effect	art.	L	L1	G/h	glass t	A/0006-ECO-Drain
ALUMINIUM	satin	ELOX	AL/0006-ECO-2500-S-E	2500	50	1kN	12,00-21,52	✓
		ELOX	AL/0006-ECO-5000-S-E	5000	100			
		ELOX	AL/0006-ECO-6000-S-E	6000	100			
	natural	ELOX black	AL/0006-ECO-2500-S-EB	2500	50			
		ELOX black	AL/0006-ECO-5000-S-EB	5000	100			
		-	AL/0006-ECO-6000-N	6000	100			
matte	RAL 7016	AL/0006-ECO-6000-R7016	6000	100	new new			
	RAL 9005	AL/0006-ECO-6000-R9005	6000	100				



Material	Finish	art.
AISI316	natural	A14/0005-pin

new

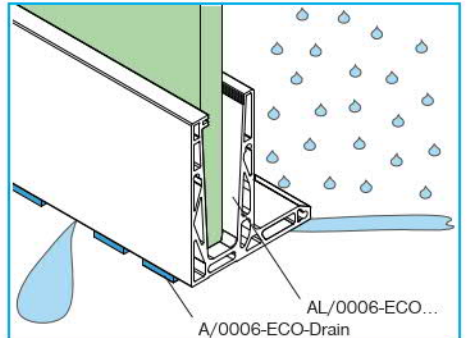
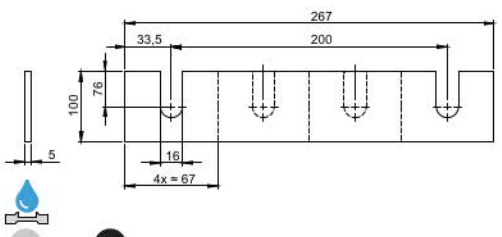


Material	Finish	Effect	art.
ALUMINIUM	satin	ELOX	AL/0006-ECO-S-E-90-IN
		ELOX black	AL/0006-ECO-S-EB-90-IN
	matte	RAL 7016	AL/0006-ECO-R7016-90-IN
		RAL 9005	AL/0006-ECO-R9005-90-IN

new  
new

Material	Finish	Effect	art.
ALUMINIUM	satin	ELOX	AL/0006-ECO-S-E-90-OUT
		ELOX black	AL/0006-ECO-S-EB-90-OUT
	matte	RAL 7016	AL/0006-ECO-R7016-90-OUT
		RAL 9005	AL/0006-ECO-R9005-90-OUT

new  
new



Material	Finish	art.	compatibility	Pcs/m
AISI304	natural	A/0006-ECO-Drain	AL/0006-ECO-...-S-E AL/0006-ECO-...-S-EB	2,5

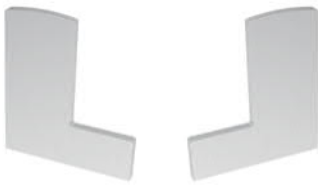
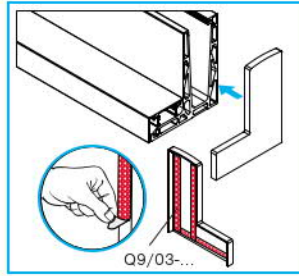
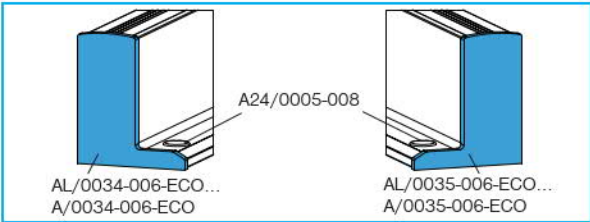


MODEL 0006-ECO FIX series

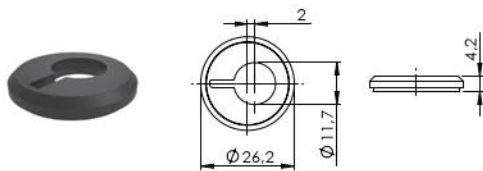
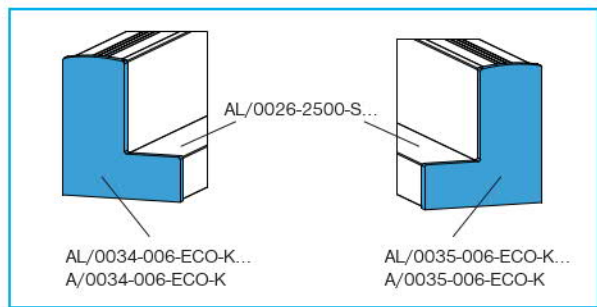


Material	Finish	Effect	art.
ALUMINIUM	satin	ELOX	AL/0034-006-ECO-S-E
		RAL 7016	AL/0034-006-ECO-R7016
	matte	RAL 9005	AL/0034-006-ECO-R9005
		ELOX	AL/0035-006-ECO-S-E
	matte	RAL 7016	AL/0035-006-ECO-R7016
		RAL 9005	AL/0035-006-ECO-R9005
satin	ELOX black	AL/0034-006-ECO-S-EB	
		AL/0035-006-ECO-S-EB	

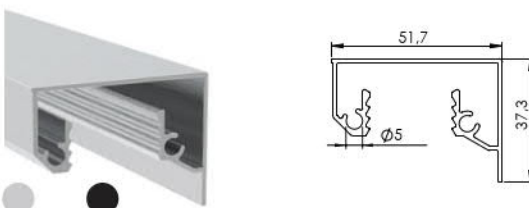
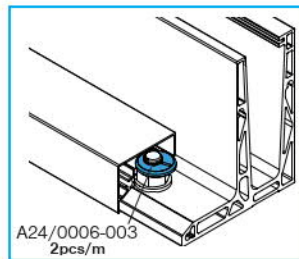
NEW  
NEW  
NEW  
NEW



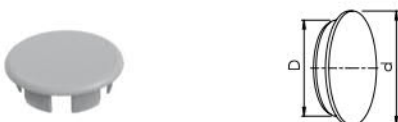
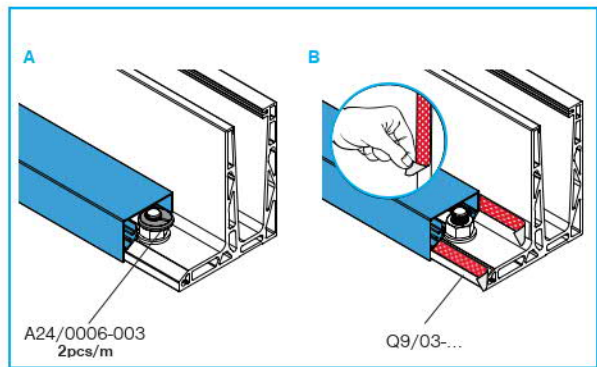
Material	Finish	Effect	art.
ALUMINIUM	satin	ELOX	AL/0034-006-ECO-K-S-E
		ELOX black	AL/0034-006-ECO-K-S-EB
		ELOX	AL/0035-006-ECO-K-S-E
		ELOX black	AL/0035-006-ECO-K-S-EB



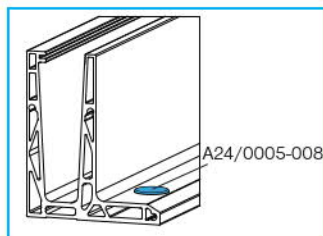
Quality	Finish	art.
PVC	black	A24/0006-003



Material	Finish	Effect	art.	L
ALUMINIUM	satin	ELOX	AL/0026-2500-S-E	2500
		ELOX	AL/0026-5000-S-E	5000
		ELOX	AL/0026-6000-S-E	6000
		ELOX black	AL/0026-2500-S-EB	2500
		ELOX black	AL/0026-5000-S-EB	5000

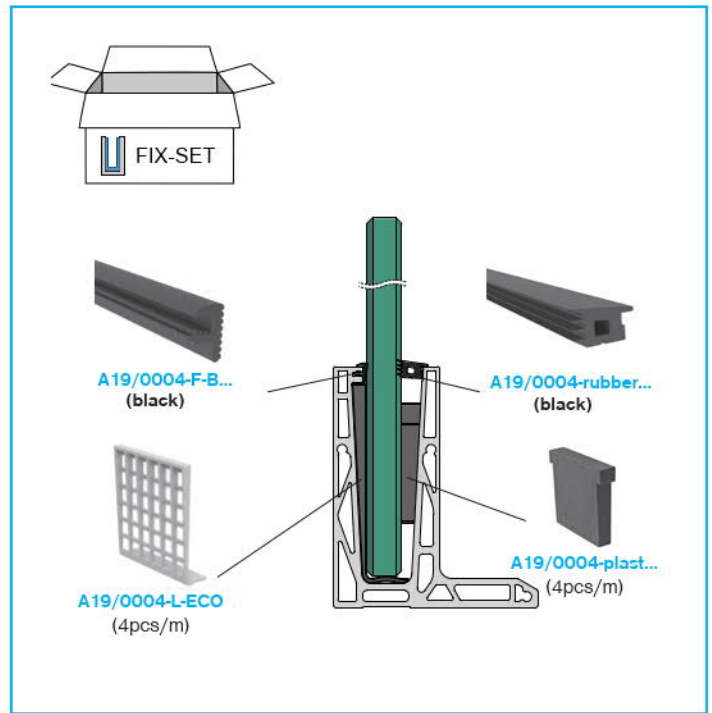


Quality	Finish	art.	D	d
PVC	gray	A24/0005-008	20	25



MODEL 0006-ECO FIX series

Glass t (mm)	L (m)	art.
12 (12)	2,5	A19/0004-012-02.5
	5	A19/0004-012-05.0
	6	A19/0004-012-06.0
12,76 (66.2)	2,5	A19/0004-012-25.0
	2,5	A19/0004-013-02.5
	5	A19/0004-013-05.0
16,76 (88.2)	6	A19/0004-013-06.0
	2,5	A19/0004-013-25.0
	2,5	A19/0004-017-02.5
17,52 (88.4)	5	A19/0004-017-05.0
	6	A19/0004-017-06.0
	2,5	A19/0004-017-25.0
20,76 (1010.2)	2,5	A19/0004-018-02.5
	5	A19/0004-018-05.0
	6	A19/0004-018-06.0
21,52 (1010.4)	2,5	A19/0004-018-25.0
	2,5	A19/0004-021-02.5
	5	A19/0004-021-05.0
21,52 (1010.4)	6	A19/0004-021-06.0
	2,5	A19/0004-021-25.0
	2,5	A19/0004-022-02.5
21,52 (1010.4)	5	A19/0004-022-05.0
	6	A19/0004-022-06.0
	2,5	A19/0004-022-25.0

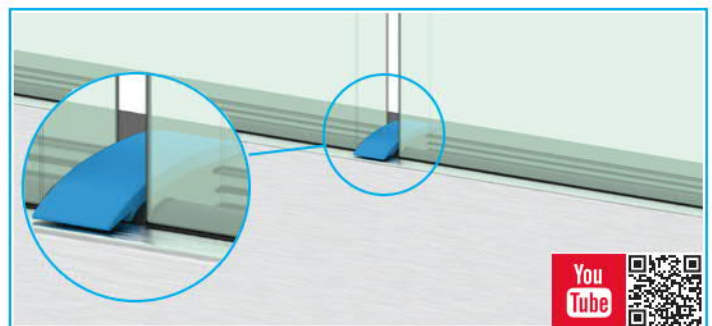


Quality	Finish	art.	L(m)	glass t
Rubber	gray (interier)	A19/0004-F-G-02.5	2,5	12-21,52
		A19/0004-F-G-05.0	5	
		A19/0004-F-G-25.0	25	
	black (exterier)	A19/0004-F-B-02.5	2,5	
		A19/0004-F-B-05.0	5	
		A19/0004-F-B-06.0	6	
A19/0004-F-B-25.0	25			

Quality	Finish	art.	L(m)	glass t		
Rubber	gray (interier)	A19/0004-17-18-G-02.5	2,5	16,76-17,52		
		A19/0004-17-18-G-05.0	5			
		A19/0004-17-18-G-25.0	25			
		black (exterier)	A19/0004-rubber12-13-02.5		2,5	12,76-13,52
			A19/0004-rubber12-13-05.0		5	
			A19/0004-rubber12-13-06.0		6	
	A19/0004-rubber12-13-25.0		25			
	A19/0004-rubber17-18-02.5		2,5	16,76-17,52		
	A19/0004-rubber17-18-05.0		5			
	A19/0004-rubber17-18-06.0	6				
	A19/0004-rubber17-18-25.0	25				
	20,76-21,52	A19/0004-rubber21-22-02.5	2,5			
		A19/0004-rubber21-22-05.0	5			
		A19/0004-rubber21-22-06.0	6			
		A19/0004-rubber21-22-25.0	25			



Quality	Finish	art.	L	glass t
Rubber	black	A19/0004-D-B-100	100	12-21,52

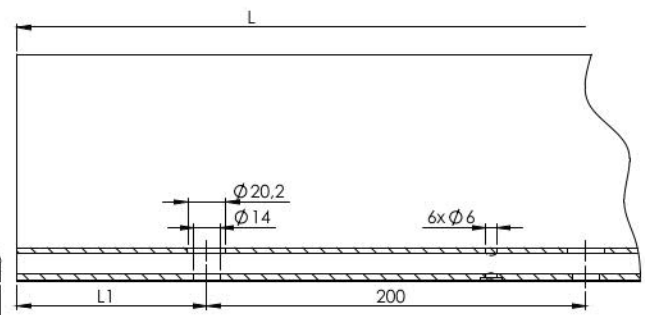
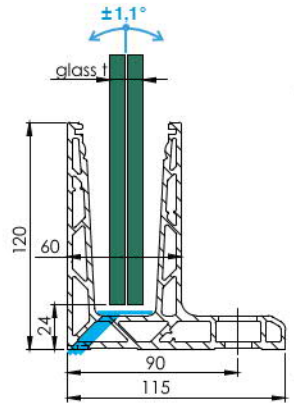


AL/0006-ECO <sup>1</sup>	G/h [kN]	CE	CHEM. ANCHOR (5pcs/m)		CHEM. (1pcs/2,5m)	CHEM. ANCHOR FASTENERS (5pcs/m)		MECH ANCHOR (5pcs/m)
			IN	-	-	A-DIN 975 M12-120	-	Q5/01B-400
	1	✓	-	Q5/08-VM 250-M12-160	Q5/01B-400	-	-	Q5/06-12x110CE
	-	-	-	-	-	-	-	Q5/08-FBN12-30
OUT	-	-	A-DIN 975 M12-120	-	Q5/01B-400	A-DIN 934 M12	A-DIN 125-A2 M12	-
	1	✓	-	A5/08-VM 250-M12-160-A4	Q5/01B-400	-	-	A-Q5/06-12x110CE
	-	-	-	-	-	-	-	-
	1	-	-	-	-	-	-	A4-Q5/06-12x110CE

AL/0006-ECO <sup>2</sup>	G/h [kN]	CE	CHEM. ANCHOR (5pcs/m)		CHEM. (1pcs/2,5m)	CHEM. ANCHOR FASTENERS (5pcs/m)		MECH ANCHOR (5pcs/m)
			IN	-	-	A19/27-M10	-	Q5/01B-400
	1	-	-	-	-	-	-	Q5/08-M8-80S/S
	1	✓	-	Q5/08-VHG-M10-80/S	Q5/01B-400	DIN 7380 M10x20-Zn	DIN 125 10-Zn	-
	-	-	-	-	-	-	-	Q5/08-HAZ-M8-85S/S
	1	-	-	-	-	-	-	Q5/08-BS-S-10-90/S
OUT	-	-	A19/27-M10	-	Q5/01B-400	A4-DIN 7380 M10x20	A-DIN 125-A2 M10	-
	1	-	-	-	-	-	-	A5/08-M8-80S/S
	1	✓	-	A5/08-VHG-M10-80/A4	Q5/01B-400	A4-DIN 7380 M10x20	A-DIN 125-A2 M10	-
	-	-	-	-	-	-	-	A5/08-HAZ-M8-85S/A4
	1	-	-	-	-	-	-	A5/08-BS-S-10-90/A4

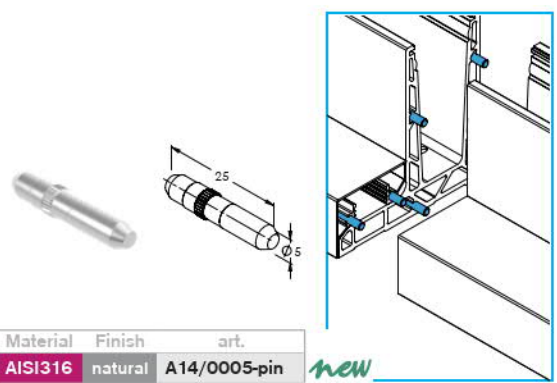
AL/0006-ECO <sup>3</sup>	G/h [kN]	CE	CHEM. ANCHOR (5pcs/m)		CHEM. (1pcs/2,5m)	CHEM. ANCHOR FASTENERS (5pcs/m)		MECH ANCHOR (5pcs/m)
			IN	-	-	A-DIN 975 M12-120	-	Q5/01B-400
	1	-	-	-	-	-	-	Q5/08-M10-120S/S
	1	✓	-	Q5/08-VM 250-M12-160	Q5/01B-400	-	-	-
	-	-	-	-	-	-	-	Q5/08-HAZ-M10-106S/S
OUT	-	-	A-DIN 975 M12-120	-	Q5/01B-400	A-DIN 1587-A2 M12	A-DIN 125-A2 M12	-
	1	-	-	-	-	-	-	A5/08-M10-70S/S
	1	✓	-	A5/08-VM 250-M12-160-A4	Q5/01B-400	-	-	-
	-	-	-	-	-	-	-	A5/08-HAZ-M10-106S/A4

MODEL 0006-UNO FLEX series



Material	Finish	Effect	art.	L	L1	G/h	glass t		
ALUMINIUM	satin	ELOX	AL/0006-UNO-2500-S-E	2500	50				AL/0011-PRO...Drain
			AL/0006-UNO-5000-S-E	5000	100	1kN	12,00-17,52	built in drain	✓
			AL/0006-UNO-6000-S-E	6000					

new

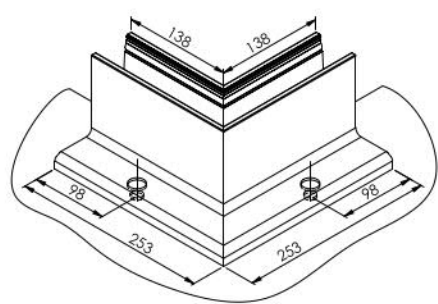
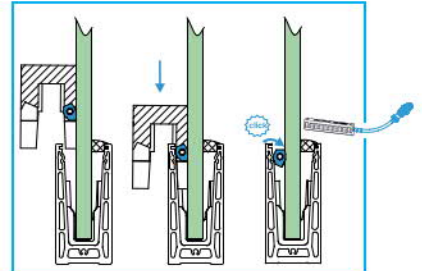


Material	Finish	art.
AISI316	natural	A14/0005-pin

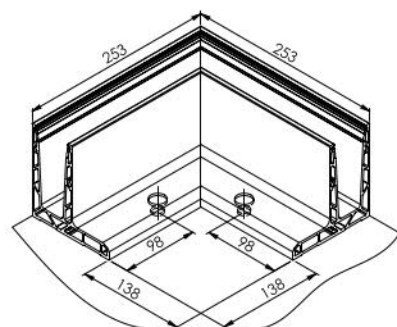
new



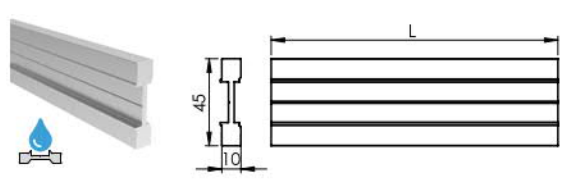
Quality	Finish	art.
PETG	gray	MP/excenter-mount



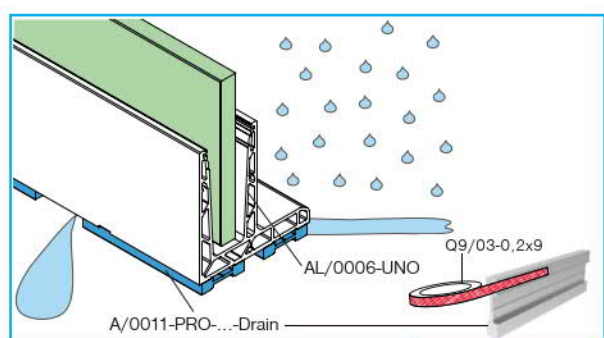
Material	Finish	Effect	art.
ALUMINIUM	satin	ELOX	AL/0006-UNO-S-E-90-IN



Material	Finish	Effect	art.
ALUMINIUM	satin	ELOX	AL/0006-UNO-S-E-90-OUT



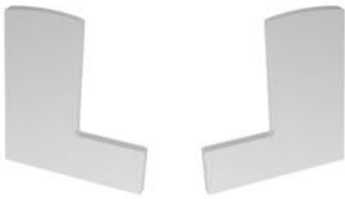
Material	Finish	Effect	art.	L
ALUMINIUM	satin	ELOX	AL/0011-PRO-S-E-1250-Drain	1250
			AL/0011-PRO-S-E-2500-Drain	2500



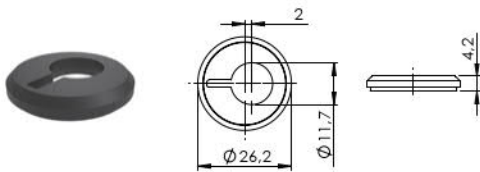
MODEL 0006-UNO FLEX series



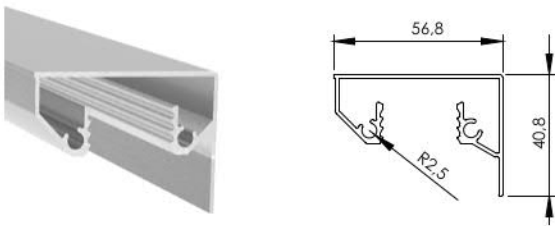
Material	Finish	Effect	art.
ALUMINIUM	satın	ELOX	AL/0034-006-UNO-S-E AL/0035-006-UNO-S-E



Material	Finish	Effect	art.
ALUMINIUM	satın	ELOX	AL/0034-006-UNO-K-S-E AL/0035-006-UNO-K-S-E



Quality	Finish	art.
PVC	black	A24/0006-003

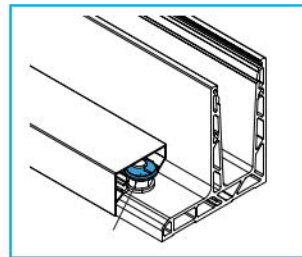
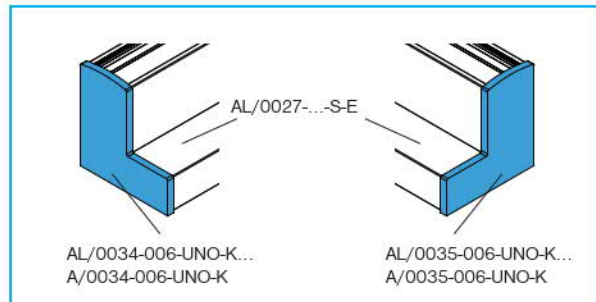
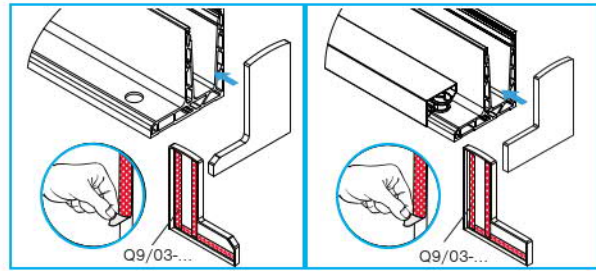
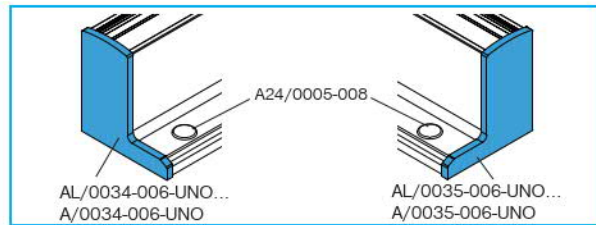


Material	Finish	Effect	art.	L
ALUMINIUM	satın	ELOX	AL/0027-2500-S-E	2500
			AL/0027-5000-S-E	5000
			AL/0027-6000-S-E	6000

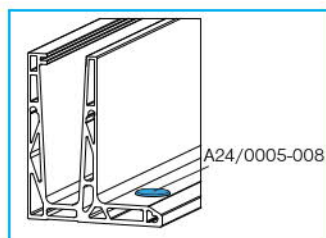
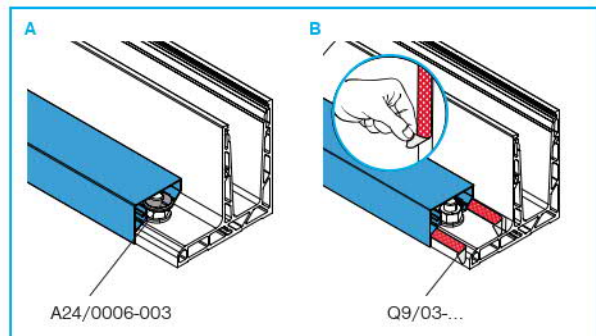
*new*



Quality	Finish	art.	D	d
PVC	gray	A24/0005-008	20	25

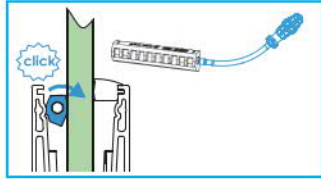


A24/0006-003



MODEL 0006-UNO FLEX series

Glass t (mm)	L (m)	FIX	FLEX $\pm 1.1^\circ$
12 (12)	2,5	-	A19/FLEX1-012-SET-02.5
	5		A19/FLEX1-012-SET-05.0
	6		A19/FLEX1-012-SET-06.0
12,76 (6.6.2)	2,5		A19/FLEX1-013-SET-02.5
	5		A19/FLEX1-013-SET-05.0
	6		A19/FLEX1-013-SET-06.0
13,52 (6.6.4)	2,5		A19/FLEX1-014-SET-02.5
	5		A19/FLEX1-014-SET-05.0
	6		A19/FLEX1-014-SET-06.0
16,76 (8.8.2)	2,5	A19/FLEX1-017-SET-02.5	
	5	A19/FLEX1-017-SET-05.0	
	6	A19/FLEX1-017-SET-06.0	
17,52 (6.8.4)	2,5	A19/FLEX1-018-SET-02.5	
	5	A19/FLEX1-018-SET-05.0	
	6	A19/FLEX1-018-SET-06.0	



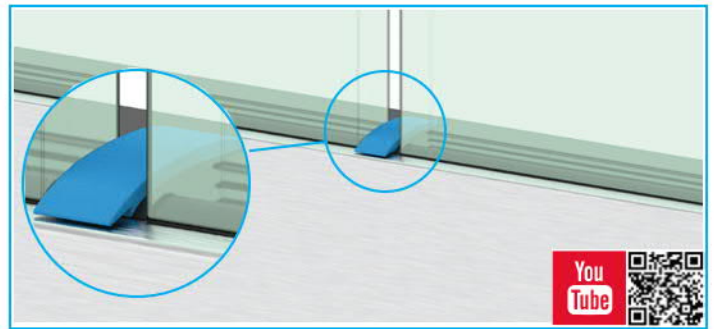
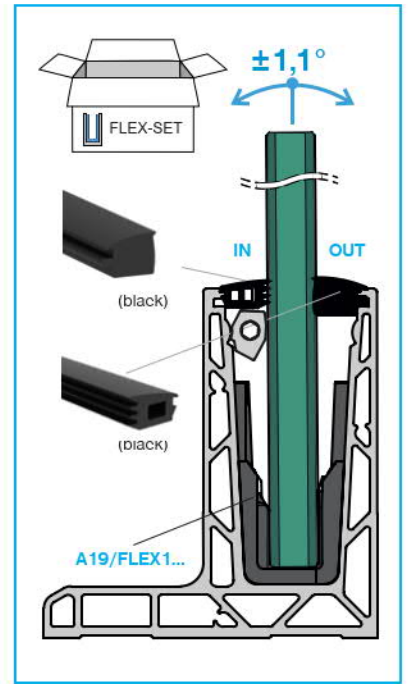
art.	total length	ext. square
Q8/70-275-PRO	275mm	1/4"



Quality	Finish	art.	L	glass t
Rubber	black	A19/0004-D-B-100	100	12-21,52



art.	use
AL/glass-mont-PRO	FLEX/FIX



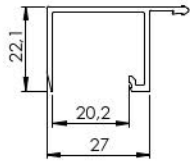
AL/0006-UNO <sup>1</sup>	G/h [kN]	CE	CHEM. ANCHOR (5pcs/m)		CHEM. (1pcs/2,5m)	CHEM. ANCHOR FASTENERS (5pcs/m)		MECH ANCHOR (5pcs/m)
			IN	-	-	A-DIN 975 M12-120	-	Q5/01B-400
	1	✓	-	Q5/08-VM 250-M12-160	Q5/01B-400	-	-	Q5/06-12x110CE
OUT	-	-	A-DIN 975 M12-120	-	Q5/01B-400	A-DIN 934 M12	A-DIN 125-A2 M12	-
	1	✓	-	A5/08-VM 250-M12-160-A4	Q5/01B-400	-	-	A-Q5/06-12x110CE
	1		-	-	-	-	-	A4-Q5/06-12x110CE

AL/0006-UNO <sup>2</sup>	G/h [kN]	CE	CHEM. ANCHOR (5pcs/m)		CHEM. (1pcs/2,5m)	CHEM. ANCHOR FASTENERS (5pcs/m)		MECH ANCHOR (5pcs/m)
			IN	-	-	A19/27-M10	-	Q5/01B-400
	1		-	-	-	-	-	Q5/08-M8-80S/S
	1	✓	-	Q5/08-VHG-M10-80/S	Q5/01B-400	DIN 7380 M10x20-Zn	DIN 125 10-Zn	-
	1		-	-	-	-	-	Q5/08-HAZ-M8-85S/S
	1		-	-	-	-	-	Q5/08-BS-S-10-90/S
OUT	-	-	A19/27-M10	-	Q5/01B-400	A4-DIN 7380 M10x20	A-DIN 125-A2 M10	-
	1		-	-	-	-	-	A5/08-M8-80S/S
	1	✓	-	A5/08-VHG-M10-80/A4	Q5/01B-400	A4-DIN 7380 M10x20	A-DIN 125-A2 M10	-
	1		-	-	-	-	-	A5/08-HAZ-M8-85S/A4
	1		-	-	-	-	-	A5/08-BS-S-10-90/A4

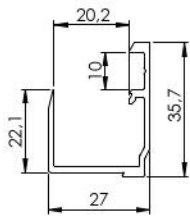
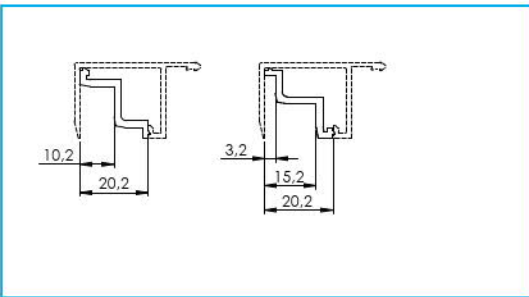
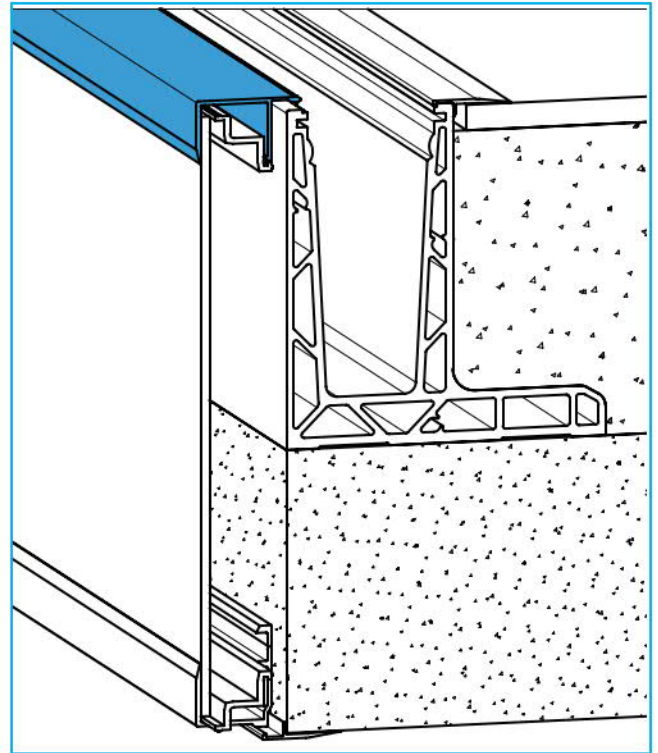
AL/0006-UNO <sup>3</sup>	G/h [kN]	CE	CHEM. ANCHOR (5pcs/m)		CHEM. (1pcs/2,5m)	CHEM. ANCHOR FASTENERS (5pcs/m)		MECH ANCHOR (5pcs/m)
			IN	-	-	A-DIN 975 M12-120	-	Q5/01B-400
	1		-	-	-	-	-	Q5/08-M10-120S/S
	1	✓	-	Q5/08-VM 250-M12-160	Q5/01B-400	-	-	-
	1		-	-	-	-	-	Q5/08-HAZ-M10-106S/S
OUT	-	-	A-DIN 975 M12-120	-	Q5/01B-400	A-DIN 1587-A2 M12	A-DIN 125-A2 M12	-
	1		-	-	-	-	-	A5/08-M10-70S/S
	1	✓	-	A5/08-VM 250-M12-160-A4	Q5/01B-400	-	-	-
	1		-	-	-	-	-	A5/08-HAZ-M10-106S/A4



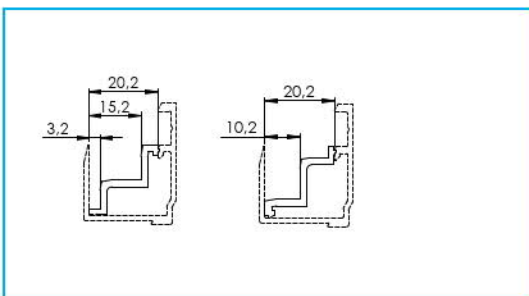
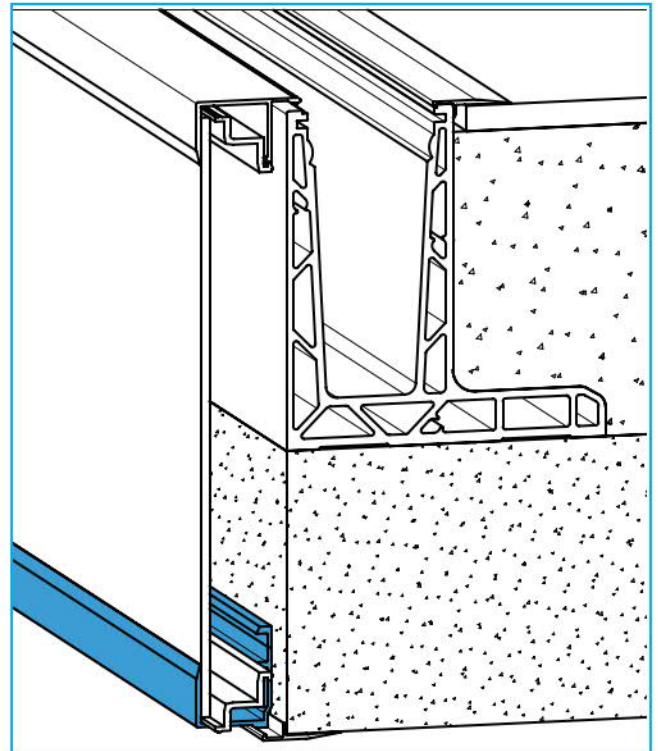
MODEL 0006-UNO CONNECTION PROFILES - TOP MOUNT



Material	Finish	Effect	art.	L
ALUMINIUM	satin	ELOX	AL/0051-2500-S-E	2500
			AL/0051-5000-S-E	5000
			AL/0051-6000-S-E	6000

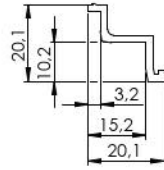


Material	Finish	Effect	art.	L
ALUMINIUM	satin	ELOX	AL/0052-2500-S-E	2500
			AL/0052-5000-S-E	5000
			AL/0052-6000-S-E	6000

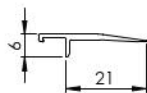
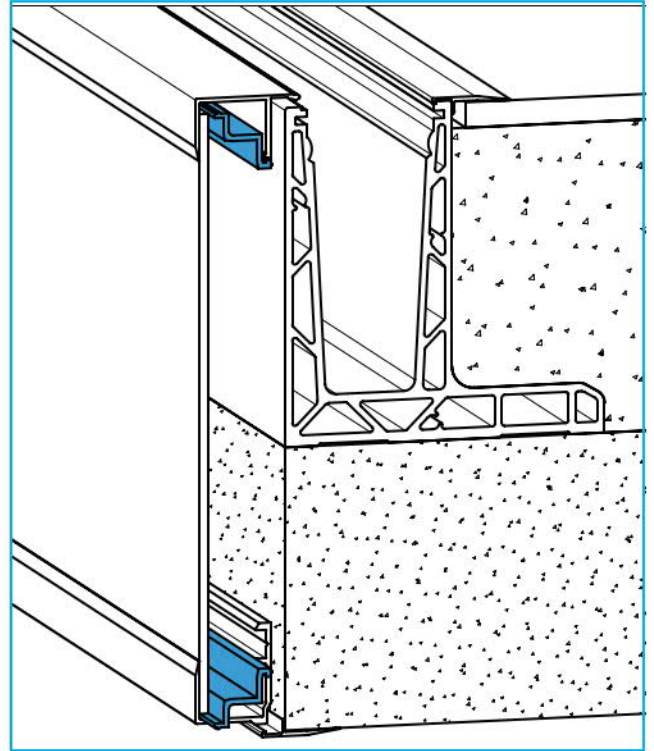
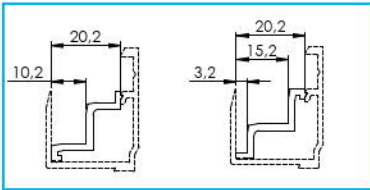
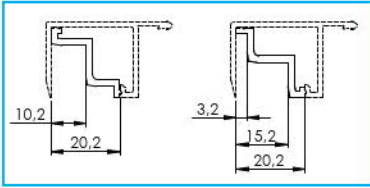




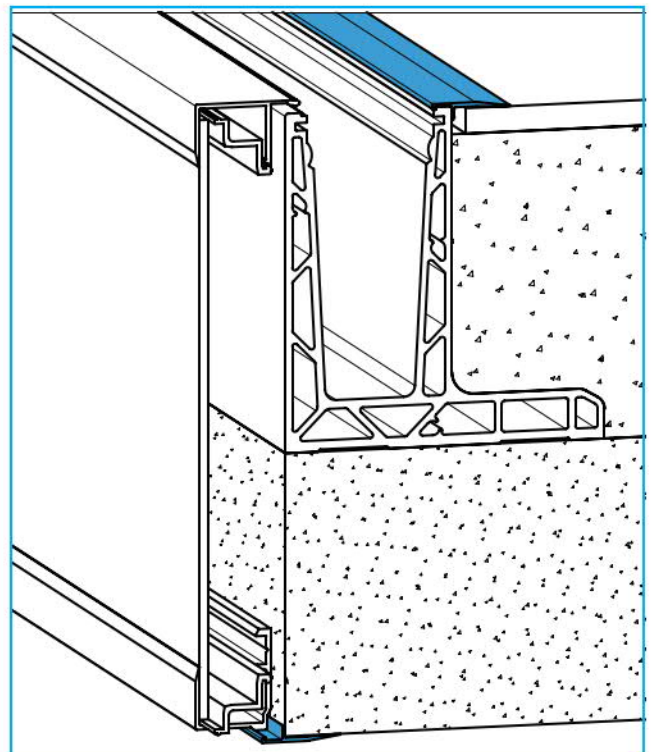
MODEL 0006-UNO CONNECTION PROFILES - TOP MOUNT

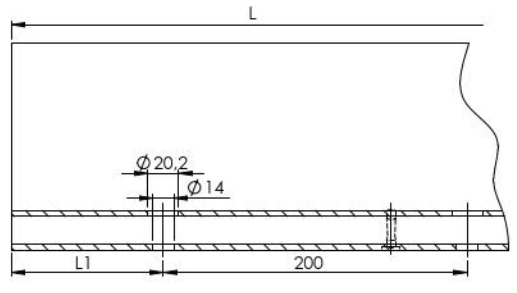
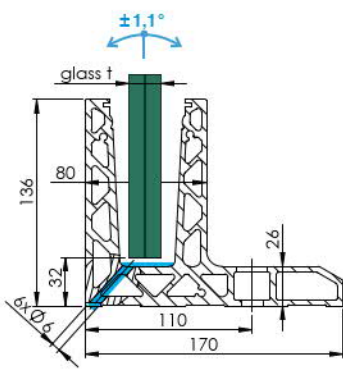


Material	Finish	Effect	art.	L
ALUMINIUM	natur	ELOX	AL/0053-2500-N-E	2500
			AL/0053-5000-N-E	5000
			AL/0053-6000-N-E	6000



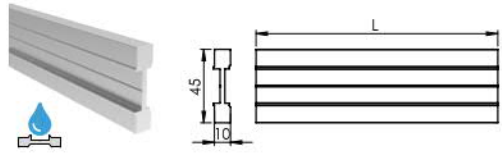
Material	Finish	Effect	art.	L
ALUMINIUM	satin	ELOX	AL/0054-2500-S-E	2500
			AL/0054-5000-S-E	5000
			AL/0054-6000-S-E	6000





Material	Finish	Effect	art.	L	L1	G/h	glass t			
ALUMINIUM	satin	ELOX	AL/0018-2500-S-E	2500	50	3kN	16,76-31,52	built in drain		AL/0011-PRO...Drain
			AL/0018-5000-S-E	5000	100					
			AL/0018-6000-S-E	6000						
										±1,1°

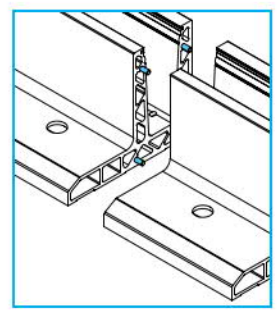
new



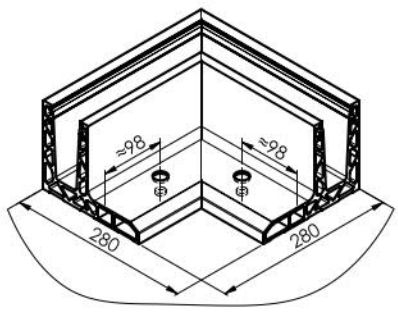
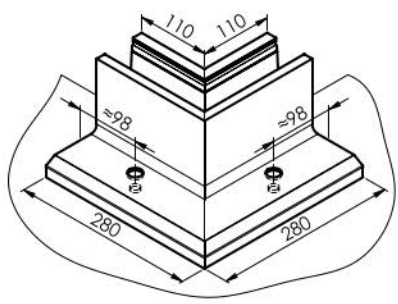
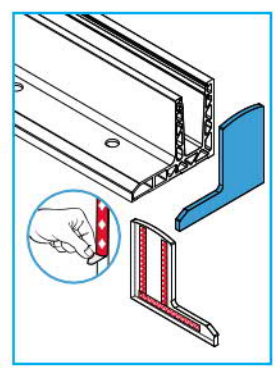
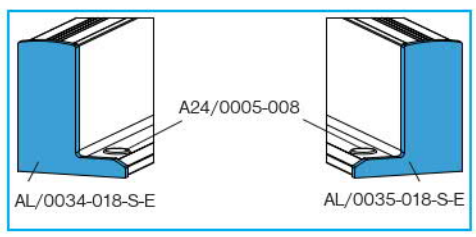
Material	Finish	Effect	art.	L
ALUMINIUM	satin	ELOX	AL/0011-PRO-S-E-1250-Drain	1250
			AL/0011-PRO-S-E-2500-Drain	2500

Material	Finish	art.
AISI316	natural	A14/0005-pin

new



Material	Finish	Effect	art.
ALUMINIUM	satin	ELOX	AL/0034-018-S-E
			AL/0035-018-S-E

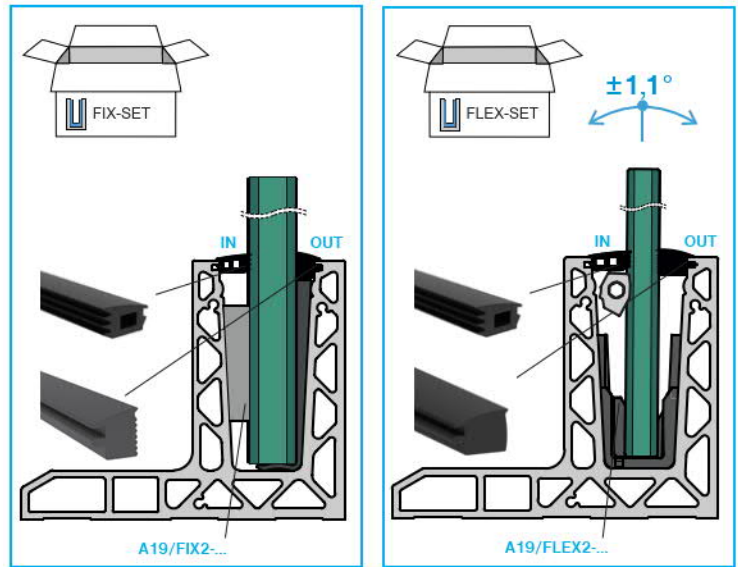


Material	Finish	Effect	art.
ALUMINIUM	satin	ELOX	AL/0018-S-E-90-IN

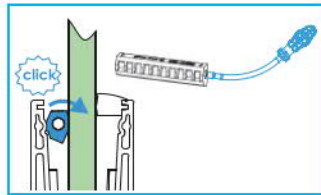
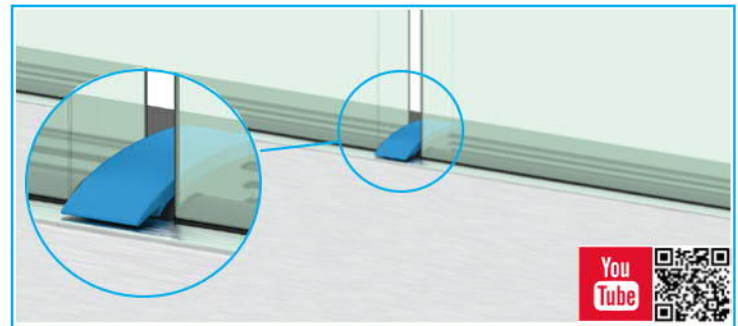
Material	Finish	Effect	art.
ALUMINIUM	satin	ELOX	AL/0018-S-E-90-OUT

MODEL 0018 FLEX/FIX series

Glass t (mm)	L (m)	FIX	FLEX $\pm 1.1^\circ$
16,76 (8.8.2)	2,5		A19/FLEX2-017-SET-02.5
	5		A19/FLEX2-017-SET-05.0
	6		A19/FLEX2-017-SET-06.0
17,52 (8.8.4)	2,5		A19/FLEX2-018-SET-02.5
	5		A19/FLEX2-018-SET-05.0
	6		A19/FLEX2-018-SET-06.0
20,76 (10.10.2)	2,5		A19/FLEX2-021-SET-02.5
	5		A19/FLEX2-021-SET-05.0
	6		A19/FLEX2-021-SET-06.0
21,52 (10.10.4)	2,5		A19/FLEX2-022-SET-02.5
	5		A19/FLEX2-022-SET-05.0
	6		A19/FLEX2-022-SET-06.0
24,76 (12.12.2)	2,5	A19/FIX2-25-SET-02.5	
	5	A19/FIX2-25-SET-05.0	
	6	A19/FIX2-25-SET-06.0	
25,52 (12.12.4)	2,5	A19/FIX2-26-SET-02.5	
	5	A19/FIX2-26-SET-05.0	
	6	A19/FIX2-26-SET-06.0	
31,52 (15.15.4)	2,5	A19/FIX2-32-SET-02.5	
	5	A19/FIX2-32-SET-05.0	
	6	A19/FIX2-32-SET-06.0	



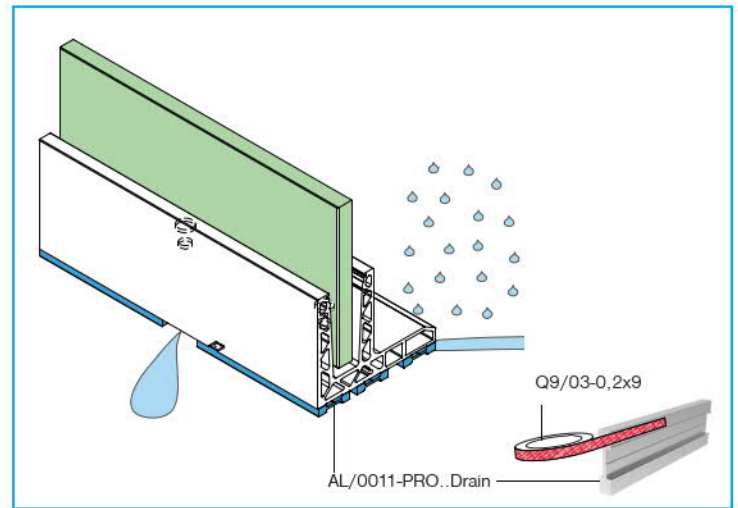
Quality	Finish	art.	L	glass t
Rubber	black	A19/0004-D-B-100	100	12-21,52



art.	total length	ext. square
Q8/70-275-PRO	275mm	1/4"

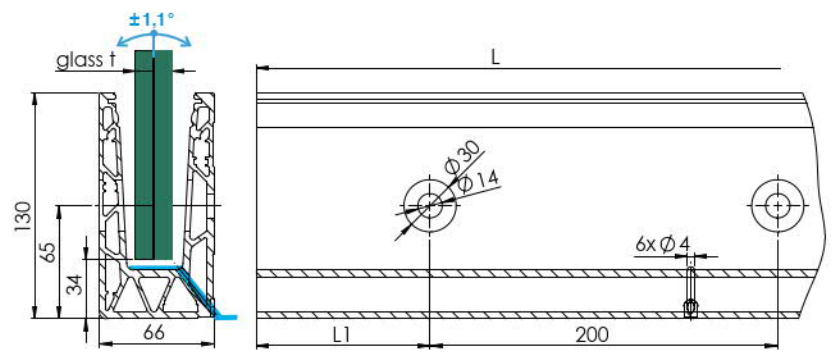


art.	use
AL/glass-mont-PRO	FLEX/FIX



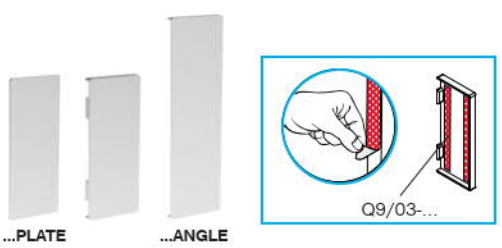
AL/0018	IN	G/b [kN]	CE	CHEM. ANCHOR (5pcs/m)		CHEM. (1pcs/2,5m)		MECH ANCHOR (5pcs/m)	
				A19/27-M10	-	Q5/01B-400	DIN 7380 M10x20-Zn	DIN 125 10-Zn	-
		-		-	Q5/08-VHG-M10-80/S	Q5/01B-400	DIN 7380 M10x20-Zn	DIN 125 10-Zn	-
		✓		-	-	-	-	-	Q5/08-HAZ-M8-85S/S
	OUT	-		A19/27-M10	-	Q5/01B-400	A4-DIN 7380 M10x20	A-DIN 125-A2 M10	-
		✓		-	A5/08-VHG-M10-80/A4	Q5/01B-400	A4-DIN 7380 M10x20	A-DIN 125-A2 M10	-
		-		-	-	-	-	-	A5/08-HAZ-M8-85S/A4

MODEL 0005-UNO FLEX series



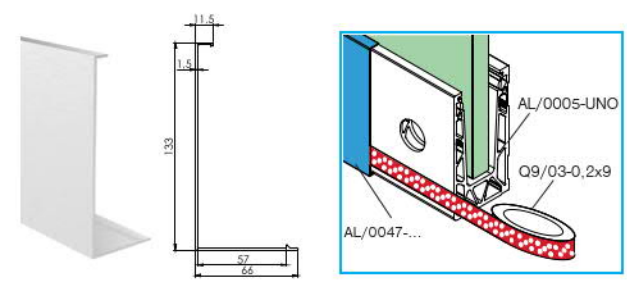
Material	Finish	Effect	art.	L	L1	G/h	glass t	A/0011-PRO-S-E...Drain	built in drain
ALUMINIUM	satin	ELOX	AL/0005-UNO-2500-S-E	2500	50	1kN	12,00 - 17,52	✓	✓
			AL/0005-UNO-5000-S-E	5000					
			AL/0005-UNO-6000-S-E	6000					

new



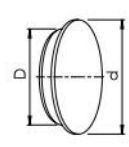
Material	Finish	Effect	art.	slope angle
ALUMINIUM	satin	ELOX	AL/0034-005-UNO-S-E-PLATE	0°
			AL/0034-005-UNO-S-E	0°
			AL/0034-005-UNO-S-E-ANGLE	≤ 45°

new

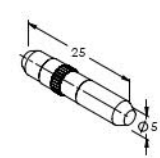


Material	Finish	Effect	art.	L	Q9/03...
ALUMINIUM	satin	ELOX	AL/0047-2500-S-E	2500	✓
			AL/0047-5000-S-E	5000	
			AL/0047-6000-S-E	6000	

new

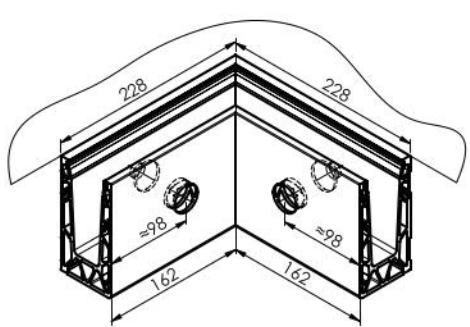
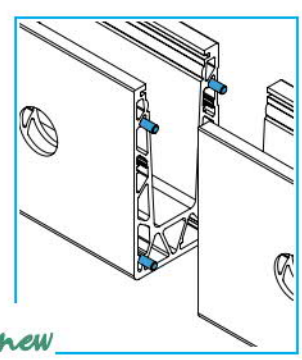


Material	Finish	art.	D	d
PVC	gray	A24/0005-009	30	35

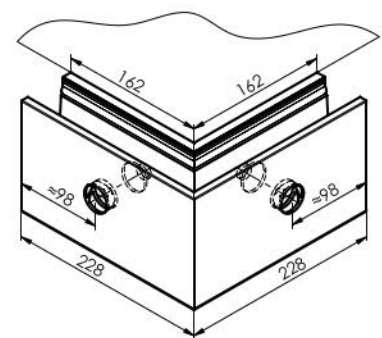


Material	Finish	art.
AISI316	natural	A14/0005-pin

new



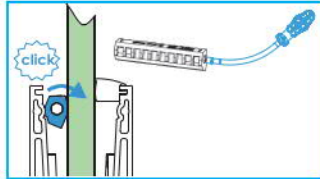
Material	Finish	Effect	art.
ALUMINIUM	satin	ELOX	AL/0005-UNO-S-E-90-IN



Material	Finish	Effect	art.
ALUMINIUM	satin	ELOX	AL/0005-UNO-S-E-90-OUT

MODEL 0005-UNO FLEX series

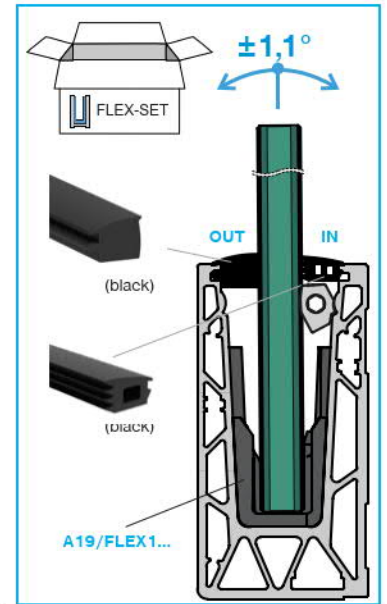
Glass t (mm)	L (m)	FIX	FLEX $\pm 1.1^\circ$
12 (12)	2,5	-	A19/FLEX1-012-SET-02.5
	5		A19/FLEX1-012-SET-05.0
	6		A19/FLEX1-012-SET-06.0
12,76 (6.6.2)	2,5		A19/FLEX1-013-SET-02.5
	5		A19/FLEX1-013-SET-05.0
	6		A19/FLEX1-013-SET-06.0
13,52 (6.6.4)	2,5		A19/FLEX1-014-SET-02.5
	5		A19/FLEX1-014-SET-05.0
	6		A19/FLEX1-014-SET-06.0
16,76 (8.8.2)	2,5		A19/FLEX1-017-SET-02.5
	5		A19/FLEX1-017-SET-05.0
	6		A19/FLEX1-017-SET-06.0
17,52 (8.8.4)	2,5	A19/FLEX1-018-SET-02.5	
	5	A19/FLEX1-018-SET-05.0	
	6	A19/FLEX1-018-SET-06.0	



art.	total length	ext. square
Q8/70-275-PRO	275mm	1/4"



Quality	Finish	art.
PETG	gray	A19/glass-stop

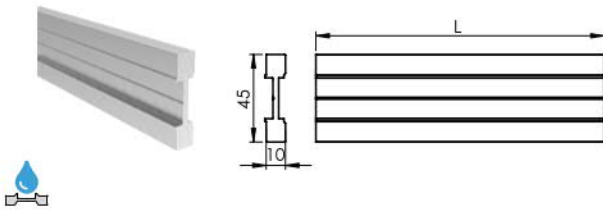


AL/glass-mont-PRO

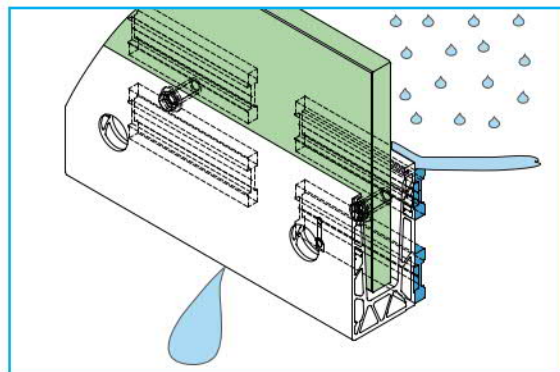


Quality	Finish	art.	L	glass t
Rubber	black	A19/0004-D-B-100	100	12-21,52

art.	use
AL/glass-mont-PRO	FLEX/FIX



Material	Finish	Effect	art.	L
ALUMINIUM	satin	ELOX	AL/0011-PRO-S-E-1250-Drain	1250
			AL/0011-PRO-S-E-2500-Drain	2500

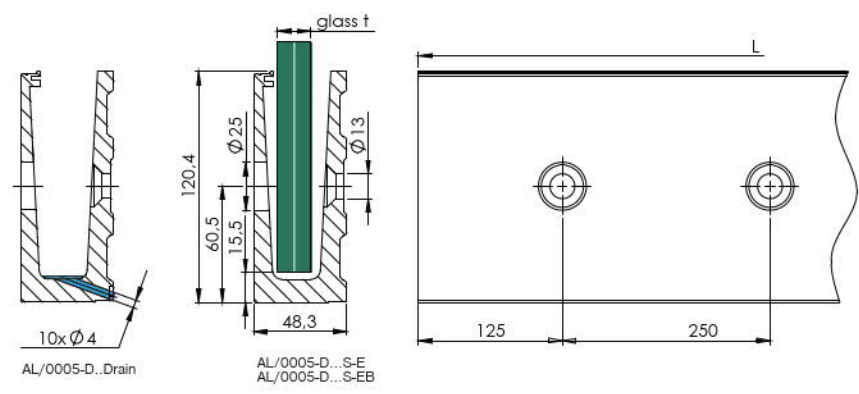


AL/0005-UNO	IN	G/h (M)	CE	CHEM. ANCHOR (5pcs/m)		CHEM. ANCHOR FASTENERS (5pcs/m)		MECH ANCHOR (5pcs/m)			
				ART.	QTY	ART.	QTY	ART.	QTY		
AL/0005-UNO	IN	-	-	A-DIN 975 M12-120	-	Q5/01B-400	A-DIN 934 M12	A-DIN 125-A2 M12	-	-	
		1	-	-	-	-	-	-	Q5/08-M8-80S/S	-	
		-	-	-	-	-	-	-	-	Q5/06-12x110CE	-
		1	-	-	Q5/08-VM 250-M12-160	Q5/01B-400	-	-	-	-	
		1	✓	-	-	-	-	-	Q5/08-HAZ-M8-85S/S	-	
		1	-	-	-	-	-	-	-	Q5/08-FBN12-30	
	OUT	-	-	-	A-DIN 975 M12-120	-	Q5/01B-400	A-DIN 934 M12	A-DIN 125-A2 M12	-	-
		1	-	-	-	-	-	-	-	A5/08-M8-80S/S	-
		-	-	-	-	-	-	-	-	-	A-Q5/06-12x110CE
		1	-	-	A5/08-VM 250-M12-160-A4	Q5/01B-400	-	-	-	-	
		1	✓	-	-	-	-	-	-	A5/08-HAZ-M8-85S/A4	-
		1	-	-	-	-	-	-	-	-	A4-Q5/06-12x110CE

MODEL 0005-D FIX series



**Black ELOX ALUMINIUM**



AL/0005-D...Drain

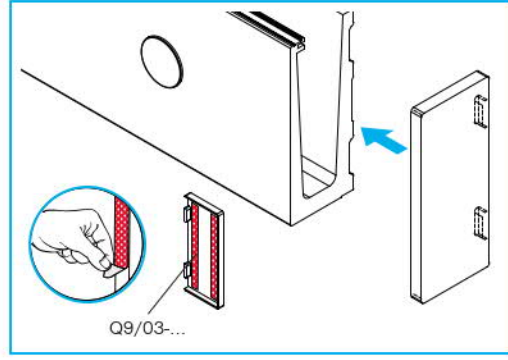
AL/0005-D...S-E  
AL/0005-D...S-EB

Material	Finish	Effect	art.	L	L1	G/h	glass t		
ALUMINIUM	satin	ELOX	AL/0005-D-1250-S-E	1250	125	2,5KN	12,00 - 21,52	✓	✓
			AL/0005-D-2500-S-E	2500					
			AL/0005-D-5000-S-E	5000					
		AL/0005-D-5000-S-E-Drain	5000						
		AL/0005-D-6000-S-E	6000						
		ELOX black	AL/0005-D-2500-S-EB	2500					
AL/0005-D-5000-S-EB	5000		-						



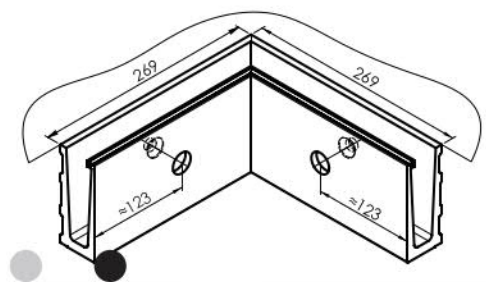
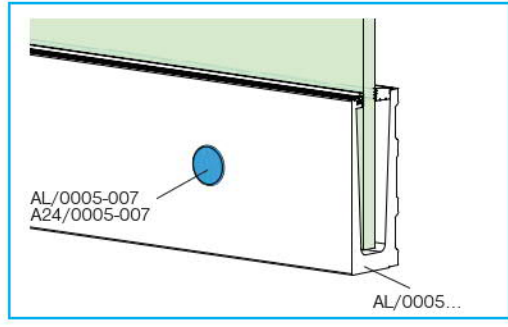
Material	Finish	Effect	art.	slope angle
ALUMINIUM	satin	ELOX	AL/0034-005-D-S-E-PLATE	0°
			AL/0034-005-D-S-E	0°
		ELOX black	AL/0034-005-D-S-EB	0°
		ELOX	AL/0034-005-D-S-E-ANGLE	≤ 45°

*new*

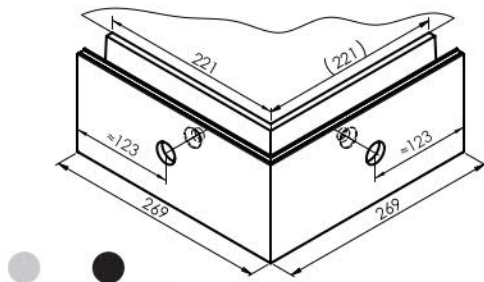


Material	Finish	Effect	art.	D	d
ALUMINIUM	satin	ELOX	AL/0005-007	25	30
PVC	gray	-	A24/0005-007		
	black	-	A24/0005-007-BLACK		

*new*



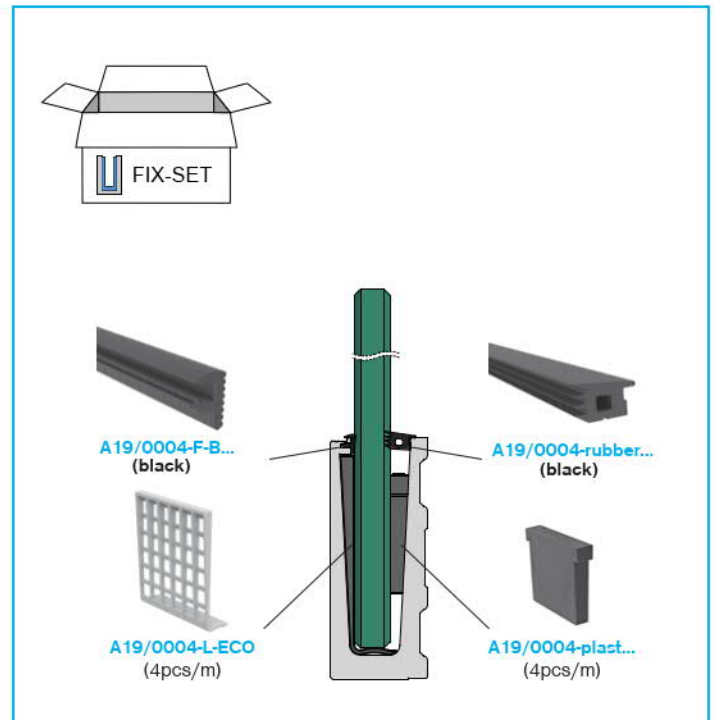
Material	Finish	Effect	art.
ALUMINIUM	satin	ELOX	AL/0005-D-S-E-90-IN
		ELOX black	AL/0005-D-S-EB-90-IN



Material	Finish	Effect	art.
ALUMINIUM	satin	ELOX	AL/0005-D-S-E-90-OUT
		ELOX black	AL/0005-D-S-EB-90-OUT

MODEL 0005-D FIX series

Glass t (mm)	L (m)	art.
12 (12)	2,5	A19/0004-012-02.5
	5	A19/0004-012-05.0
	6	A19/0004-012-06.0
	25	A19/0004-012-25.0
12,76 (66,2)	2,5	A19/0004-013-02.5
	5	A19/0004-013-05.0
	6	A19/0004-013-06.0
	25	A19/0004-013-25.0
16,76 (88,2)	2,5	A19/0004-017-02.5
	5	A19/0004-017-05.0
	6	A19/0004-017-06.0
	25	A19/0004-017-25.0
17,52 (88,4)	2,5	A19/0004-018-02.5
	5	A19/0004-018-05.0
	6	A19/0004-018-06.0
	25	A19/0004-018-25.0
20,76 (1010,2)	2,5	A19/0004-021-02.5
	5	A19/0004-021-05.0
	6	A19/0004-021-06.0
	25	A19/0004-021-25.0
21,52 (1010,4)	2,5	A19/0004-022-02.5
	5	A19/0004-022-05.0
	6	A19/0004-022-06.0
	25	A19/0004-022-25.0



PVC-P - interior



EPDM - exterior



PVC-P - interior



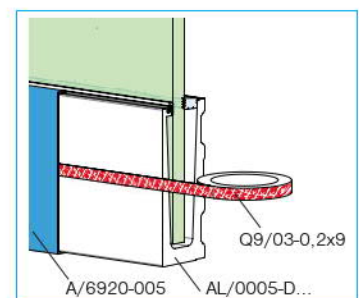
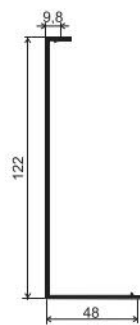
EPDM - exterior

Quality	Finish	art.	L(m)	glass t
Rubber	gray (interier)	A19/0004-F-G-02.5	2,5	12-21,52
		A19/0004-F-G-05.0	5	
		A19/0004-F-G-25.0	25	
	black (exterier)	A19/0004-F-B-02.5	2,5	
		A19/0004-F-B-05.0	5	
		A19/0004-F-B-06.0	6	
A19/0004-F-B-25.0	25			

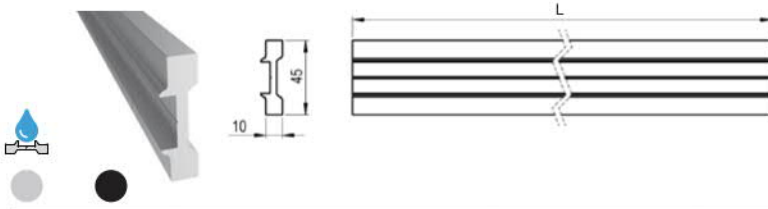
Quality	Finish	art.	L(m)	glass t
Rubber	gray (interier)	A19/0004-17-18-G-02.5	2,5	12,76-17,52
		A19/0004-17-18-G-05.0	5	
		A19/0004-17-18-G-25.0	25	
	black (exterier)	A19/0004-rubber12-13-02.5	2,5	
		A19/0004-rubber12-13-05.0	5	
		A19/0004-rubber12-13-06.0	6	
		A19/0004-rubber12-13-25.0	25	
		A19/0004-rubber17-18-02.5	2,5	
		A19/0004-rubber17-18-05.0	5	
		A19/0004-rubber17-18-06.0	6	
		A19/0004-rubber17-18-25.0	25	
		A19/0004-rubber21-22-02.5	2,5	
	20,76-21,52	A19/0004-rubber21-22-05.0	5	
		A19/0004-rubber21-22-06.0	6	
		A19/0004-rubber21-22-25.0	25	



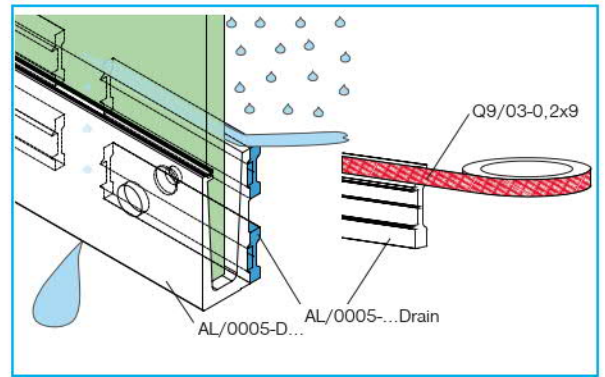
Material	Finish	Effect	art.	L	Q9/03...
ALUMINIUM	satin	ELOX	AL/0044-2500-S-E	2500	✓ <i>new</i>
		ELOX	AL/0044-5000-S-E	5000	
		ELOX	AL/0044-6000-S-E	6000	
		ELOX	AL/0044-2500-S-EB	2500	
		black	AL/0044-5000-S-EB	5000	



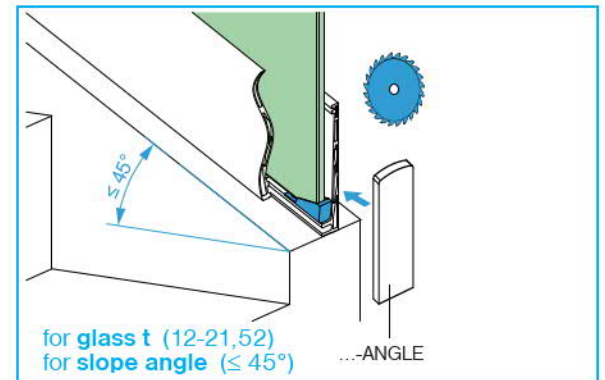
MODEL 0005-D FIX series



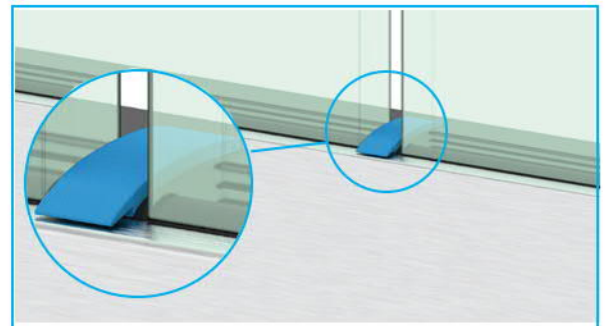
Material	Finish	Effect	art.	compatibility	L
ALUMINIUM	satin	ELOX	AL/0005-S-E-1250-Drain	AL/0005-D-1250-S-E	1250
			AL/0005-S-E-2500-Drain	AL/0005-D-2500-S-E	
		ELOX black	AL/0005-S-E-5000-Drain	AL/0005-D-5000-S-E	2500
			AL/0005-S-E-6000-Drain	AL/0005-D-6000-S-E	
			AL/0005-S-EB-2500-Drain	AL/0005-D-2500-S-EB	
				AL/0005-D-5000-S-EB	



Quality	Finish	art.
PETG	gray	A19/glass-stop



Quality	Finish	art.	L	glass t
Rubber	black	A19/0004-D-B-100	100	12-21,52



AL/0005-D	IN	G/n [kN]	CE	CHEM. ANCHOR (5pcs/m)		CHEM.	CHEM. ANCHOR FASTENERS (5pcs/m)		MECH ANCHOR (5pcs/m)	
				A5/08-105x11xM8	-	(1pcs/2,5m)	Q5/01B-400	W-DIN 7991 M8x20-P	Q5/08-12-125	
OUT	1	✓		-	Q5/08-VHG-M8-100/S	Q5/01B-400	-	-	Q5/08-FH12-50	
	1	-		A5/08-105x11xM8	-	Q5/01B-400	-	-	-	
OUT	1	-		-	A5/08-VHG-M8-100/A4	Q5/01B-400	W-DIN 7991-A4 M8x20-P	-	A5/08-12-125	
	1	✓		-	-	-	-	-	A5/08-HAZ-M8-80SK/A4	





Material	Finish	Effect
ALUMINIUM	natural	ELOX



Material	Finish	Effect
ALUMINIUM	natural satin	ELOX black



Material	Finish
CORTEN	raw



Material	Finish	Effect
ALUMINIUM	satin	ELOX



Material	Finish	Effect
ALUMINIUM	satin	ELOX inox

**umakov**

RAL LINE UMAKOV

**POWDER COATING RAL**  
(for profiles, handrails and various components)

Material	Finish	Effect
INOX / ALUMINIUM	RAL	any color

**STATIC TEST F=max 5kN**



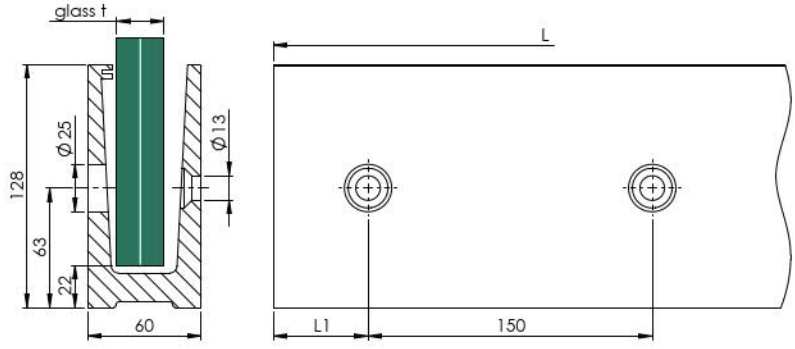
**DYNAMIC TEST G=50kg**



MODEL 0009 FIX series



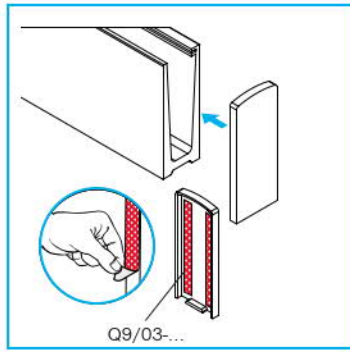
STATIC STUDIO



Material	Finish	Effect	art.	L	L1	G/h	glass t
ALUMINIUM	satin	ELOX	AL/0009-2500-S-E	2500	50	3kN	21,52-25,52
			AL/0009-5000-S-E	5000	100		

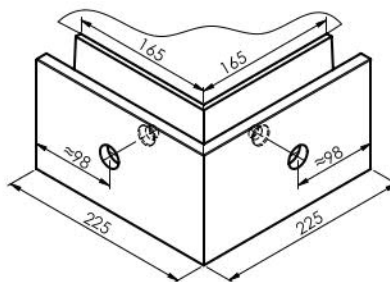
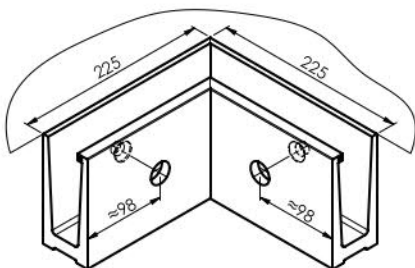
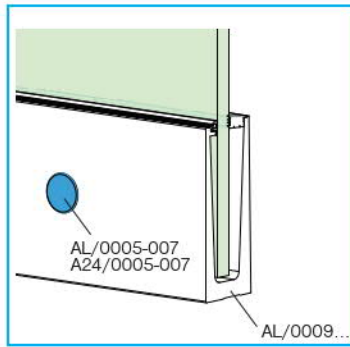


Material	Finish	Effect	art.
ALUMINIUM	satin	ELOX	AL/0038-004-S-E



Material	Finish	Effect	art.	D	d
ALUMINIUM	satin	ELOX	AL/0005-007	25	30
PVC	gray	-	A24/0005-007		
	black	-	A24/0005-007-BLACK		

new



Material	Finish	Effect	art.
ALUMINIUM	satin	ELOX	AL/0009-S-E-90-IN

Material	Finish	Effect	art.
ALUMINIUM	satin	ELOX	AL/0009-S-E-90-OUT

MODEL 0009 FIX series

Glass t (mm)	L (m)	art.
21,52 (1010.4)	2,5	A19/0004-012-02.5
	5	A19/0004-012-05.0
	25	A19/0004-012-25.0
25,52 (1212.4)	2,5	A19/0008-026-02.5
	5	A19/0008-026-05.0
	25	A19/0008-026-25.0



PVC-P - interior



EPDM - exterior

Quality	Finish	art.	L(m)	glass t
Rubber	gray (interier)	A19/0004-F-G-02.5	2,5	12-21,52
		A19/0004-F-G-05.0	5	
		A19/0004-F-G-25.0	25	
	black (exterier)	A19/0004-F-B-02.5	2,5	
		A19/0004-F-B-05.0	5	
		A19/0004-F-B-06.0	6	
A19/0004-F-B-25.0	25			

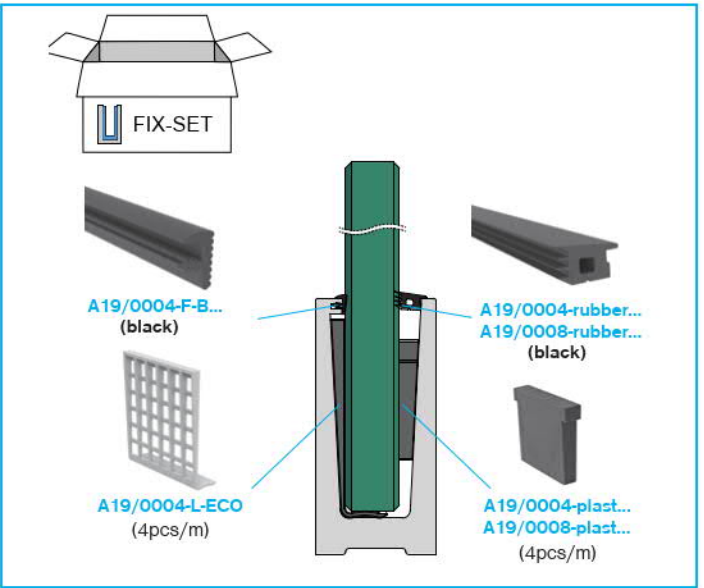


PVC-P - interior

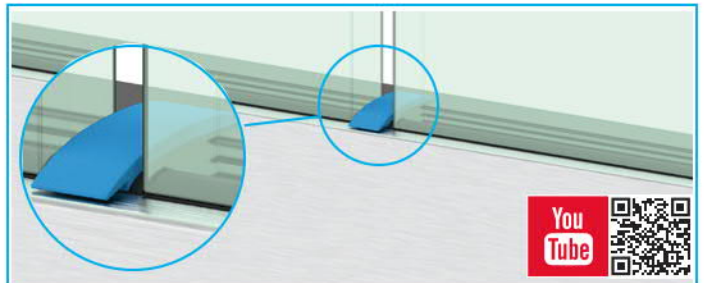


EPDM - exterior

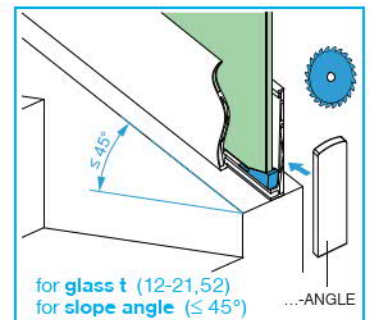
Quality	Finish	art.	L(m)	glass t		
Rubber	gray (interier)	A19/0004-17-18-G-02.5	2,5	16,76-17,52		
		A19/0004-17-18-G-05.0	5			
		A19/0004-17-18-G-25.0	25			
	black (exterier)	A19/0004-rubber12-13-02.5	2,5		12,76-13,52	
		A19/0004-rubber12-13-05.0	5			
		A19/0004-rubber12-13-06.0	6			
		A19/0004-rubber12-13-25.0	25			
		A19/0004-rubber17-18-02.5	2,5			
		A19/0004-rubber17-18-05.0	5			
	black (exterier)	A19/0004-rubber17-18-06.0	6		16,76-17,52	
		A19/0004-rubber17-18-25.0	25			
		A19/0004-rubber21-22-02.5	2,5			20,76-21,52
		A19/0004-rubber21-22-05.0	5			
		A19/0004-rubber21-22-06.0	6			
		A19/0004-rubber21-22-25.0	25			



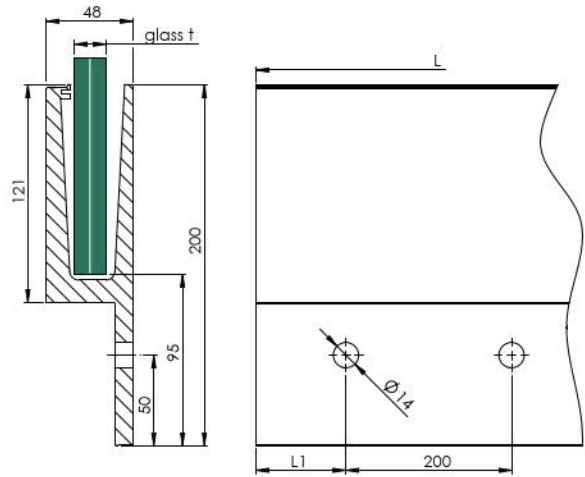
Quality	Finish	art.	L	glass t
Rubber	black	A19/0004-D-B-100	100	12-21,52



Quality	Finish	art.
PETG	gray	A19/glass-stop



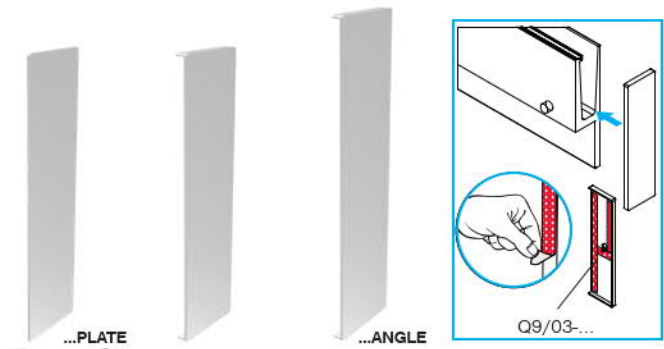
AL/0009	IN	G/n (kN)	CE	CHEM. ANCHOR (5pcs/m)		CHEM. (1pcs/2,5m)	CHEM. ANCHOR FASTENERS (5pcs/m)		MECH ANCHOR (5pcs/m)	
				A5/08-105x11xM8	-	Q5/01B-400	-	-	-	
OUT	3	2,6	✓	-	Q5/08-VHG-M12-125/S	Q5/01B-400	DIN 7991 M12x30-Zn	-	Q5/08-12-125	-
				-	A5/08-105x11xM8	-	Q5/01B-400	-	Q5/08-FH12-50	-
OUT	1	3,8	✓	-	-	Q5/01B-400	-	-	A5/08-12-125	-
				-	A5/08-VHG-M12-125/A4	Q5/01B-400	A4-DIN 7991 M12x30	-	-	
				-	-	-	-	A5/08-HAZ-M8-80SK/A4	-	



**Black ELOX**  
ALUMINIUM

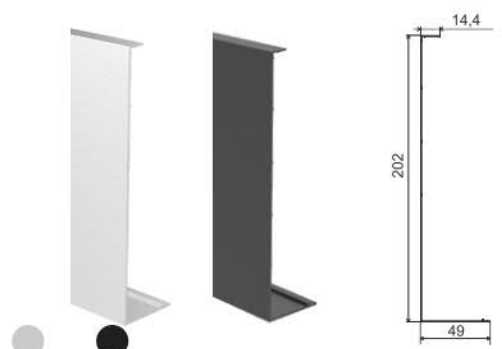
Material	Finish	Effect	art.	L	L1	G/h	glass t
ALUMINIUM	natural	ELOX	AL/0011-1250-N-E	1250		3kN	12-21,52
			AL/0011-2500-N-E	2500	50		
			AL/0011-5000-N-E	5000	100		
			AL/0011-6000-N-E	6000			
	black	ELOX	AL/0011-2500-N-EB	2500	50		
			AL/0011-5000-N-EB	5000	100		

top



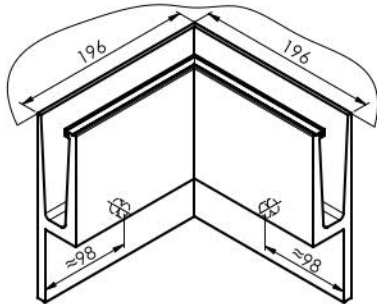
Material	Finish	Effect	art.	slope angle
ALUMINIUM	satin	ELOX	AL/0034-011-S-E-PLATE	0°
			AL/0034-011-S-E	0°
		ELOX black	AL/0034-011-S-EB	0°
			AL/0034-011-S-E-ANGLE	45°

new

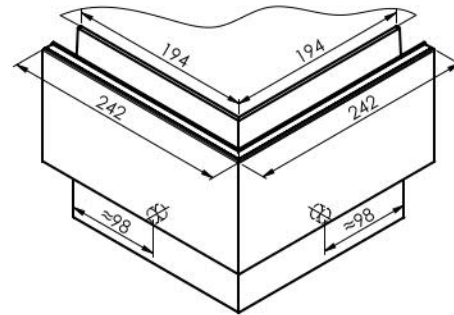


Material	Finish	Effect	art.	L
ALUMINIUM	satin	ELOX	AL/0045-2500-S-E	2500
			AL/0045-5000-S-E	5000
			AL/0045-6000-S-E	6000
	ELOX black	ELOX	AL/0045-2500-S-EB	2500
ELOX black	ELOX	AL/0045-5000-S-EB	5000	

new

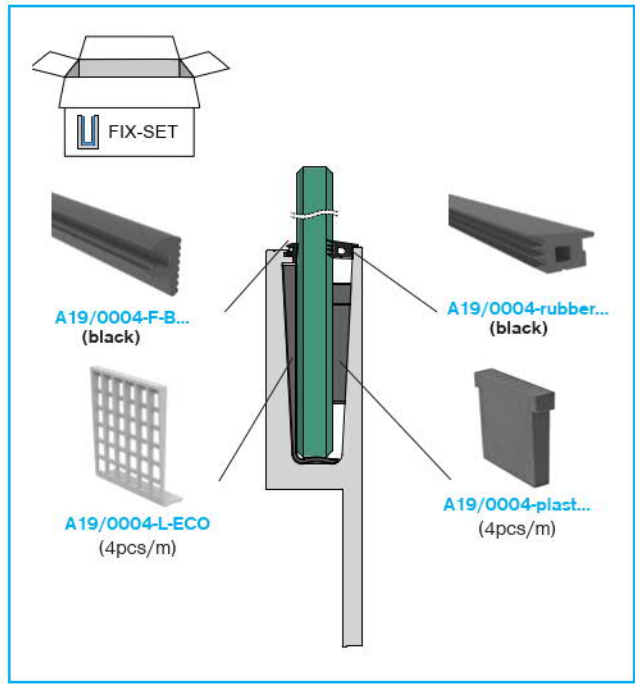


Material	Finish	Effect	art.
ALUMINIUM	satin	ELOX	AL/0011-N-E-90-IN
	natural	ELOX black	AL/0011-N-EB-90-IN



Material	Finish	Effect	art.
ALUMINIUM	satin	ELOX	AL/0011-N-E-90-OUT
	natural	ELOX black	AL/0011-N-EB-90-OUT

Glass t (mm)	L (m)	art.
12 (12)	2,5	A19/0004-012-02.5
	5	A19/0004-012-05.0
	6	A19/0004-012-06.0
	25	A19/0004-012-25.0
12,76 (66.2)	2,5	A19/0004-013-02.5
	5	A19/0004-013-05.0
	6	A19/0004-013-06.0
	25	A19/0004-013-25.0
16,76 (88.2)	2,5	A19/0004-017-02.5
	5	A19/0004-017-05.0
	6	A19/0004-017-06.0
	25	A19/0004-017-25.0
17,52 (88.4)	2,5	A19/0004-018-02.5
	5	A19/0004-018-05.0
	6	A19/0004-018-06.0
	25	A19/0004-018-25.0
20,76 (1010.2)	2,5	A19/0004-021-02.5
	5	A19/0004-021-05.0
	6	A19/0004-021-06.0
	25	A19/0004-021-25.0
21,52 (1010.4)	2,5	A19/0004-022-02.5
	5	A19/0004-022-05.0
	6	A19/0004-022-06.0
	25	A19/0004-022-25.0

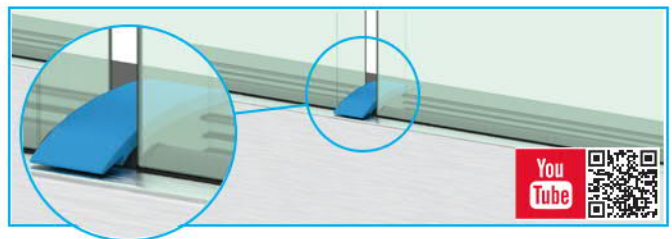


Quality	Finish	art.	L(m)	glass t
Rubber	gray (interier)	A19/0004-F-G-02.5	2,5	12-21,52
		A19/0004-F-G-05.0	5	
		A19/0004-F-G-25.0	25	
	black (exterier)	A19/0004-F-B-02.5	2,5	
		A19/0004-F-B-05.0	5	
		A19/0004-F-B-06.0	6	
A19/0004-F-B-25.0	25			

Quality	Finish	art.	L(m)	glass t	
Rubber	gray (interier)	A19/0004-17-18-G-02.5	2,5	16,76-17,52	
		A19/0004-17-18-G-05.0	5		
		A19/0004-17-18-G-25.0	25		
		A19/0004-rubber12-13-02.5	2,5		
		A19/0004-rubber12-13-05.0	5		
		A19/0004-rubber12-13-06.0	6		
	black (exterier)	A19/0004-rubber12-13-25.0	25	12,76-13,52	
		A19/0004-rubber17-18-02.5	2,5		
		A19/0004-rubber17-18-05.0	5		
		A19/0004-rubber17-18-06.0	6		
		A19/0004-rubber17-18-25.0	25		
		A19/0004-rubber21-22-02.5	2,5		20,76-21,52
		A19/0004-rubber21-22-05.0	5		
		A19/0004-rubber21-22-06.0	6		
		A19/0004-rubber21-22-25.0	25		

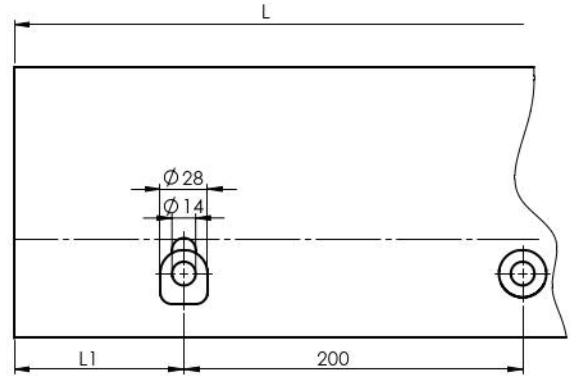
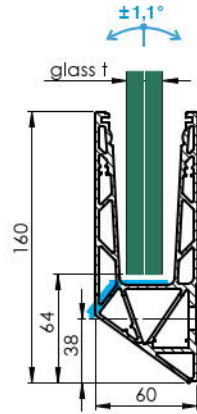
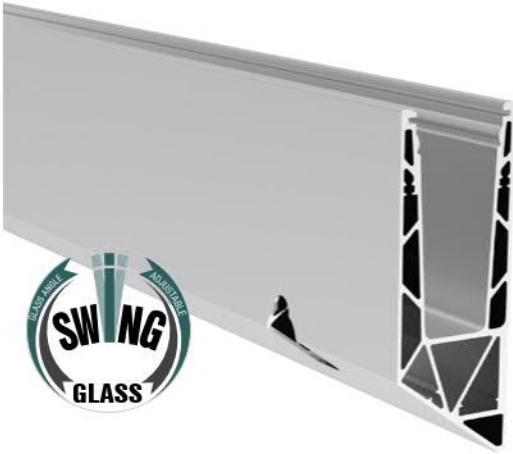


Quality	Finish	art.	L	glass t
Rubber	black	A19/0004-D-B-100	100	12-21,52



AL/0011	IN	G/m (RAM)	CE	CHEM. ANCHOR (5pcs/m)		CHEM. (1pcs/2,5m)	CHEM. ANCHOR FASTENERS (5pcs/m)		MECH ANCHOR (5pcs/m)		
				A-DIN 975 M12-120	-	Q5/01B-400	A-DIN 934 M12	A-DIN 125-A2 M12	-	-	
OUT	-	1,4	-	-	-	-	-	-	Q5/08-M8-80S/S	-	
	-	3	-	-	-	-	-	-	-	Q5/06-12x110CE	
	2	✓	-	-	Q5/08-VM 250-M12-160	Q5/01B-400	-	-	-	-	
	0,9	-	-	-	-	-	-	-	Q5/08-HAZ-M8-85S/S	-	
	-	-	-	-	-	-	-	-	-	Q5/08-FBN12-30	
	-	-	-	-	A-DIN 975 M12-120	-	Q5/01B-400	A-DIN 934 M12	A-DIN 125-A2 M12	-	-
	-	-	-	-	-	-	-	-	-	A5/08-M8-80S/S	-
	-	-	-	-	-	-	-	-	-	-	A-Q5/06-12x110CE
	3	-	-	-	-	A5/08-VM 250-M12-160-A4	Q5/01B-400	-	-	-	-
	1,5	✓	-	-	-	-	-	-	-	A5/08-HAZ-M8-85S/A4	-
3	-	-	-	-	-	-	-	-	-	A4-Q5/06-12x110CE	

MODEL 0011-LIGHT FLEX/FIX series



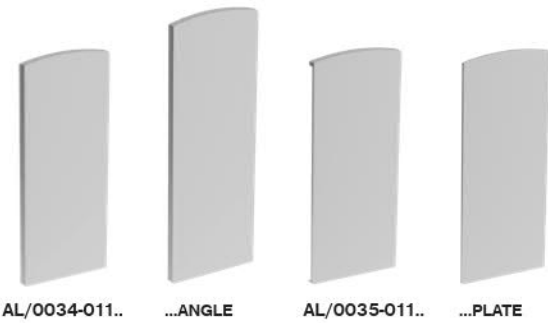
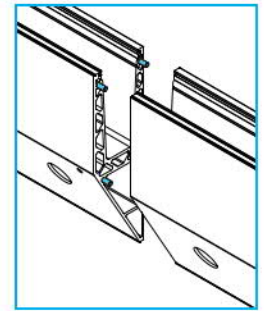
Material	Finish	Effect	art.	L	L1	G/h	glass t		
ALUMINIUM	natural	ELOX	AL/0011-LIGHT-2500-NE	2500	50	0,5kN	12-17,52	built in drain	±1,1°
			AL/0011-LIGHT-5000-NE	5000	100				
			AL/0011-LIGHT-6000-NE	6000					

new  
new  
new



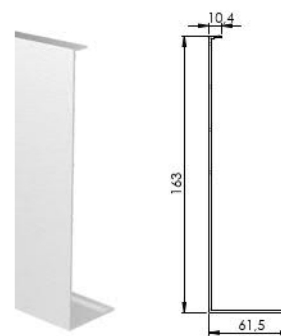
Material	Finish	art.
AISI316	natural	A14/0005-pin

new



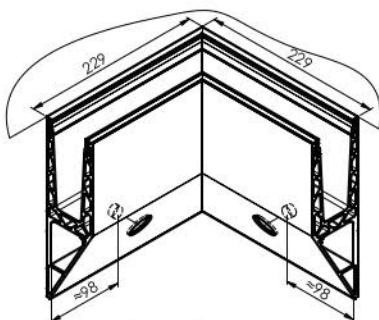
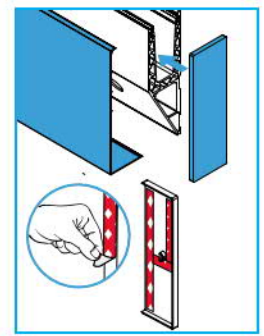
Material	Finish	Effect	art.	slope angle
ALUMINIUM	satin	ELOX	AL/0034-011-LIGHT-S-E-PLATE	0°
			AL/0034-011-LIGHT-S-E	0°
			AL/0034-011-LIGHT-S-E-ANG	≤ 45°
			AL/0035-011-LIGHT-S-E	0°

new  
new  
new  
new



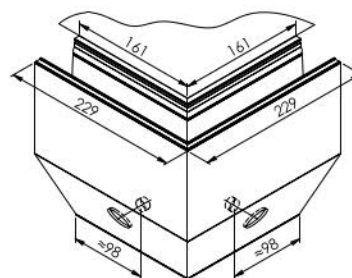
Material	Finish	Effect	art.	L
ALUMINIUM	satin	ELOX	AL/0048-2500-S-E	2500
			AL/0048-5000-S-E	5000
			AL/0048-6000-S-E	6000

new  
new  
new



Material	Finish	Effect	art.
ALUMINIUM	satin	ELOX	AL/0011-LIGHT-N-E-90-IN

new

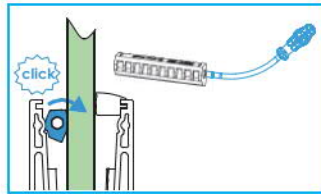


Material	Finish	Effect	art.
ALUMINIUM	satin	ELOX	AL/0011-LIGHT-N-E-90-OUT

new

MODEL 0011-LIGHT FLEX series

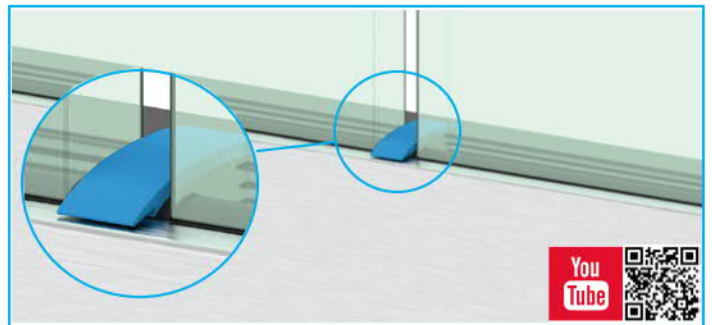
Glass t (mm)	L (m)	FIX	FLEX $\pm 1.1^\circ$
12 (12)	2,5	-	A19/FLEX1-012-SET-02.5
	5		A19/FLEX1-012-SET-05.0
	6		A19/FLEX1-012-SET-06.0
12,76 (6.6.2)	2,5		A19/FLEX1-013-SET-02.5
	5		A19/FLEX1-013-SET-05.0
	6		A19/FLEX1-013-SET-06.0
13,52 (6.6.4)	2,5		A19/FLEX1-014-SET-02.5
	5		A19/FLEX1-014-SET-05.0
	6		A19/FLEX1-014-SET-06.0
16,76 (8.8.2)	2,5	A19/FLEX1-017-SET-02.5	
	5	A19/FLEX1-017-SET-05.0	
	6	A19/FLEX1-017-SET-06.0	
17,52 (8.8.4)	2,5	A19/FLEX1-018-SET-02.5	
	5	A19/FLEX1-018-SET-05.0	
	6	A19/FLEX1-018-SET-06.0	



art.	total length	ext. square
Q8/70-275-PRO	275mm	1/4"



Quality	Finish	art.	L	glass t
Rubber	black	A19/0004-D-B-100	100	12-21,52

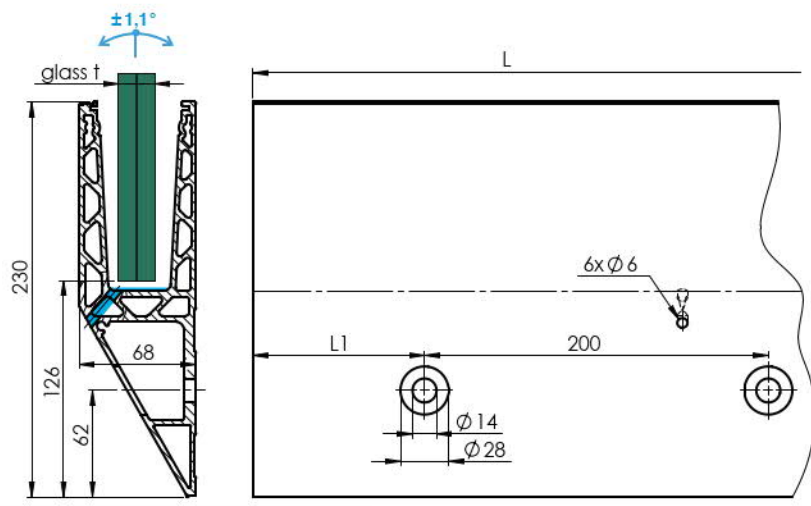


AL/glass-mont-PRO

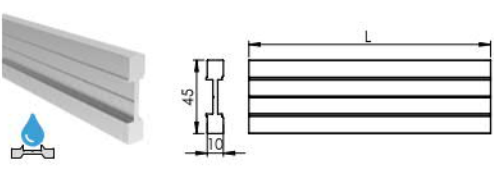
art.	use
AL/glass-mont-PRO	FLEX/FIX

AL/0011-LIGHT	IN	G/h (RM)	CE	CHEM. ANCHOR (5pcs/m)		CHEM. (1pcs/2,5m)	CHEM. ANCHOR FASTENERS (5pcs/m)		MECH ANCHOR (5pcs/m)	
				A-DIN 975 M12-120	-	Q5/01B-400	A-DIN 934 M12	A-DIN 125-A2 M12	-	-
OUT	-	-	-	-	-	-	-	-	Q5/08-M8-80S/S	-
	0,5	-	-	-	-	-	-	-	-	Q5/06-12x110CE
	0,5	-	-	-	Q5/08-VM 250-M12-160	Q5/01B-400	-	-	-	-
	0,5	✓	-	-	-	-	-	-	Q5/08-HAZ-M8-85S/S	-
	0,5	-	-	-	-	-	-	-	-	Q5/08-FBN12-30
	0,5	-	-	-	A-DIN 975 M12-120	Q5/01B-400	A-DIN 934 M12	A-DIN 125-A2 M12	-	-
	0,5	-	-	-	-	-	-	-	A5/08-M8-80S/S	-
	0,5	-	-	-	-	-	-	-	-	A-Q5/06-12x110CE
	0,5	-	-	-	A5/08-VM 250-M12-160-A4	Q5/01B-400	-	-	-	-
	0,5	✓	-	-	-	-	-	-	A5/08-HAZ-M8-85S/A4	-
	0,5	-	-	-	-	-	-	-	-	A4-Q5/06-12x110CE

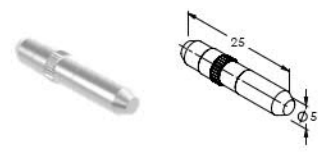
MODEL 0011-ProXL FLEX/FIX series



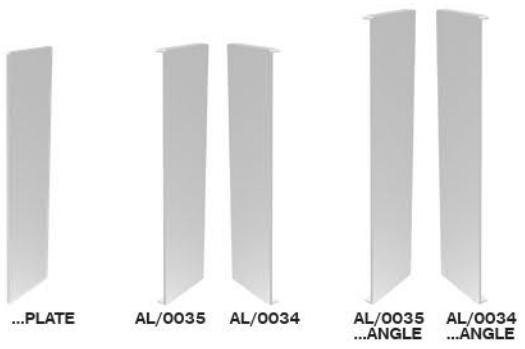
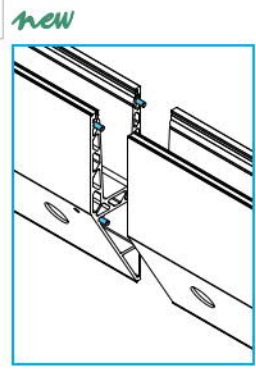
Material	Finish	Effect	art.	L	L1	G/h	glass t			
ALUMINIUM	natural	ELOX	AL/0011-ProXL-2500-N-E	2500	50	2kN	16,76-31,52	built in drain	✓	±1,1°
			AL/0011-ProXL-5000-N-E	5000	100					
			AL/0011-ProXL-6000-N-E	6000						



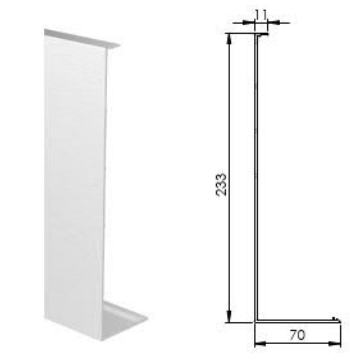
Material	Finish	Effect	art.	L
ALUMINIUM	satin	ELOX	AL/0011-PRO-S-E-1250-Drai	1250
			AL/0011-PRO-S-E-2500-Drai	2500



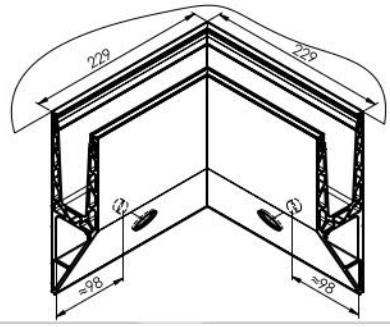
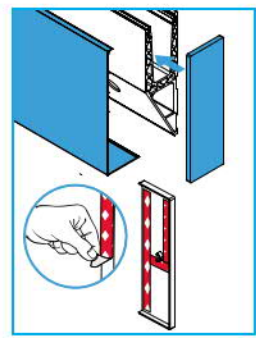
Material	Finish	art.
AISI316	natural	A14/0005-pin <i>new</i>



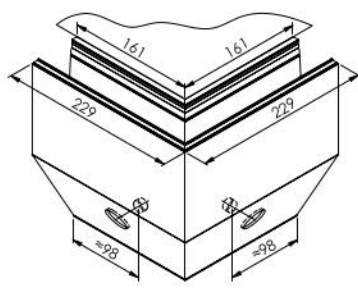
Material	Finish	Effect	art.	slope angle
ALUMINIUM	satin	ELOX	AL/0034-011-ProXL-S-E-PLATE	0° <i>new</i>
			AL/0034-011-ProXL-S-E	0°
			AL/0034-011-ProXL-S-E-ANGLE	≤ 45°
			AL/0035-011-ProXL-S-E	0°
			AL/0035-011-ProXL-S-E-ANGLE	≤ 45°



Material	Finish	Effect	art.	L
ALUMINIUM	satin	ELOX	AL/0046-2500-S-E	2500
			AL/0046-5000-S-E	5000
			AL/0046-6000-S-E	6000



Material	Finish	Effect	art.
ALUMINIUM	satin	ELOX	AL/0011-ProXL-N-E-90-IN

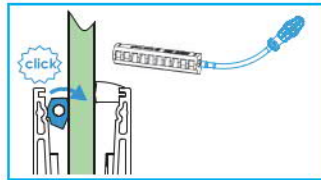


Material	Finish	Effect	art.
ALUMINIUM	satin	ELOX	AL/0011-ProXL-N-E-90-OUT



MODEL 0011-ProXL FLEX/FIX series

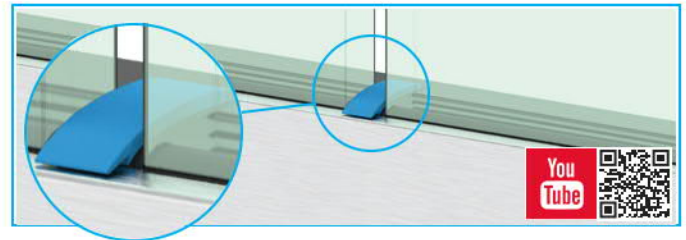
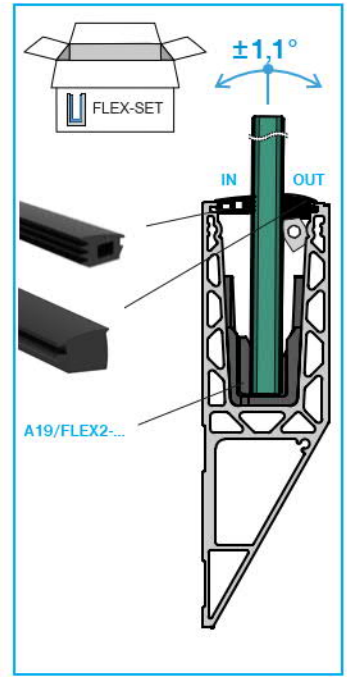
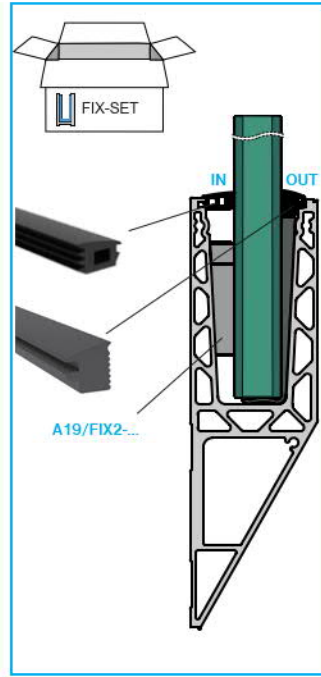
Glass t (mm)	L (m)	FIX	FLEX $\pm 1.1^\circ$
16,76 (8.8.2)	2,5		A19/FLEX2-017-SET-02.5
	5		A19/FLEX2-017-SET-05.0
	6		A19/FLEX2-017-SET-06.0
17,52 (8.8.4)	2,5		A19/FLEX2-018-SET-02.5
	5		A19/FLEX2-018-SET-05.0
	6		A19/FLEX2-018-SET-06.0
20,76 (10.10.2)	2,5		A19/FLEX2-021-SET-02.5
	5		A19/FLEX2-021-SET-05.0
	6		A19/FLEX2-021-SET-06.0
21,52 (10.10.4)	2,5		A19/FLEX2-022-SET-02.5
	5		A19/FLEX2-022-SET-05.0
	6		A19/FLEX2-022-SET-06.0
24,76 (12.12.2)	2,5	A19/FIX2-25-SET-02.5	
	5	A19/FIX2-25-SET-05.0	
	6	A19/FIX2-25-SET-06.0	
25,52 (12.12.4)	2,5	A19/FIX2-26-SET-02.5	
	5	A19/FIX2-26-SET-05.0	
	6	A19/FIX2-26-SET-06.0	
31,52 (15.15.4)	2,5	A19/FIX2-32-SET-02.5	
	5	A19/FIX2-32-SET-05.0	
	6	A19/FIX2-32-SET-06.0	



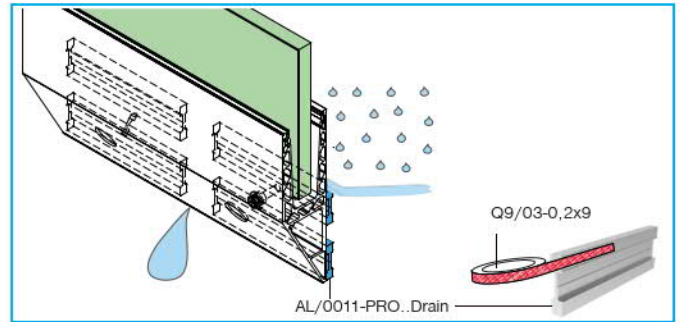
art.	total length	ext. square
Q8/70-275-PRO	275mm	1/4"



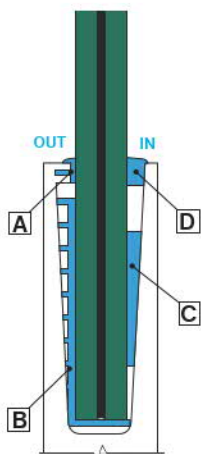
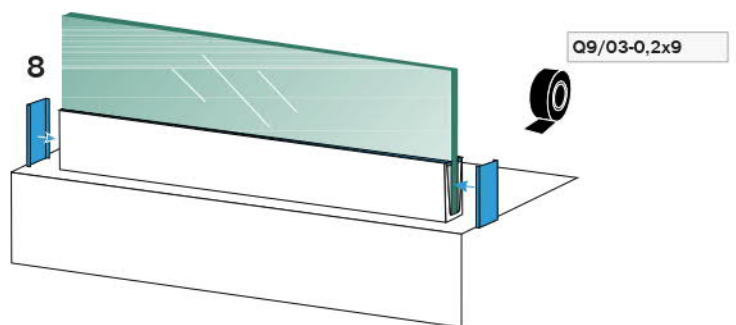
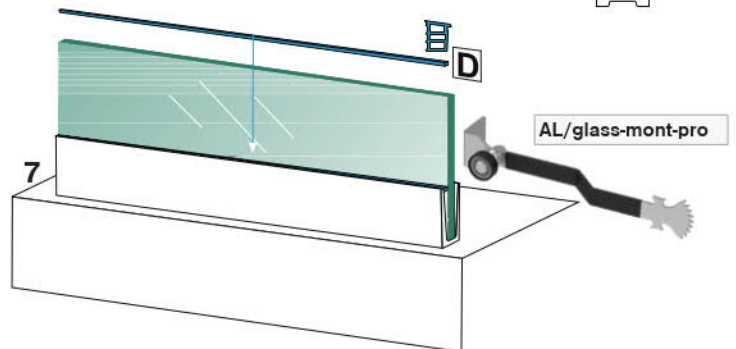
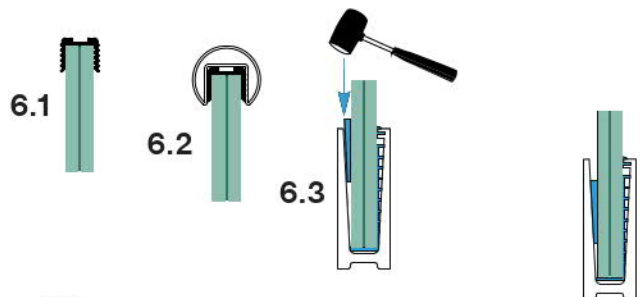
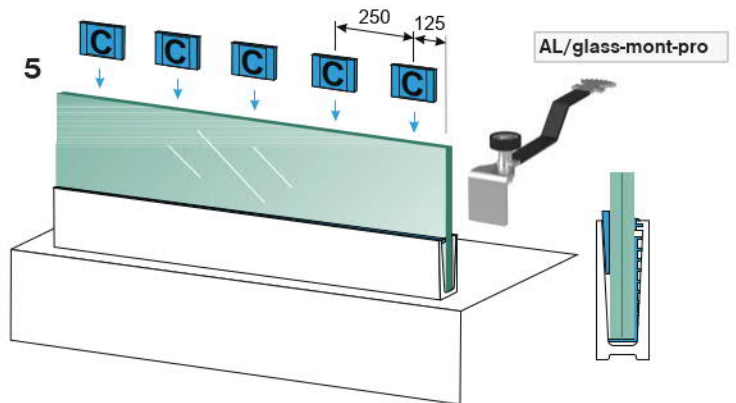
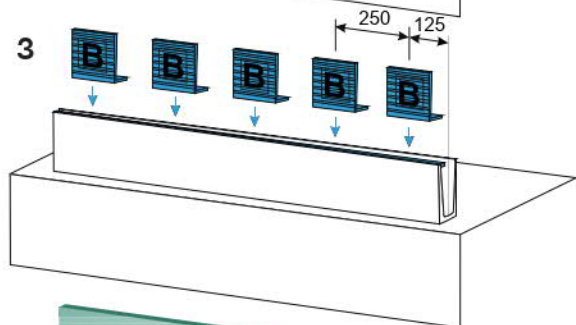
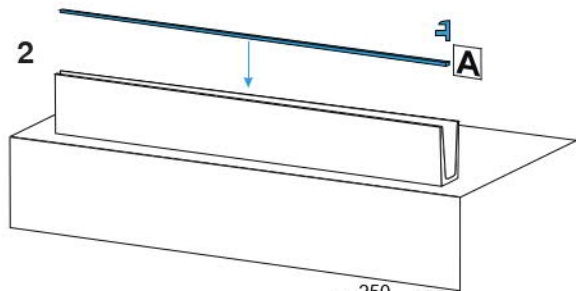
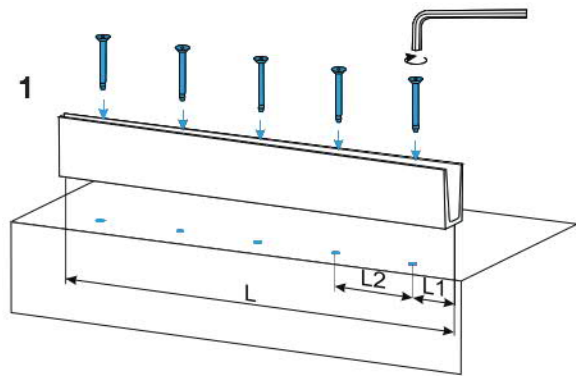
Quality	Finish	art.	L	glass t
Rubber	black	A19/0004-D-B-100	100	12-21,52



art.	use
AL/glass-mont-PRO	FLEX/FIX

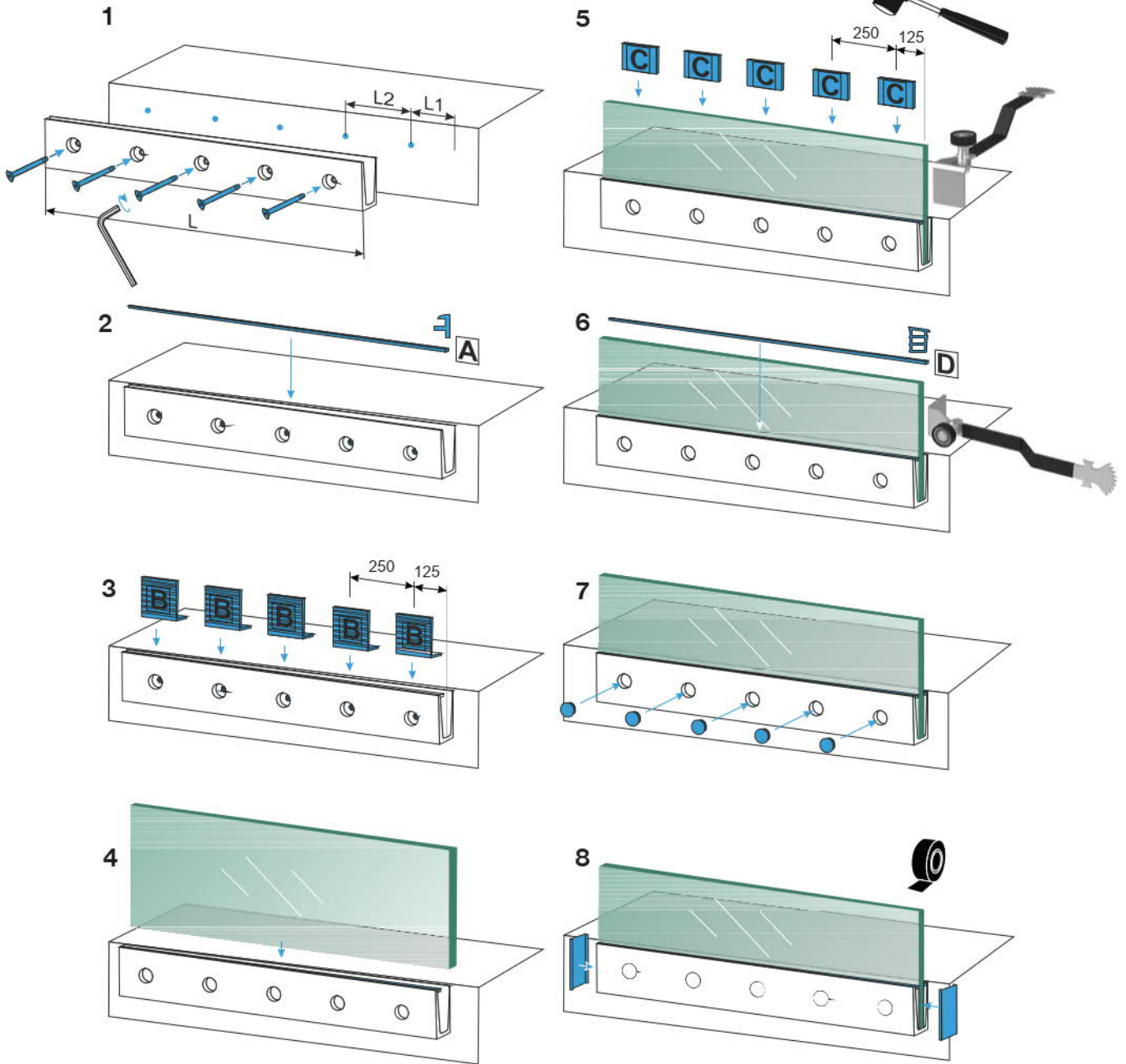




AL/0011-ProXL	IN	G/h (RM)	CE	CHEM. ANCHOR (5pcs/m)		CHEM. (1pcs/2,5m)	CHEM. ANCHOR FASTENERS (5pcs/m)		MECH ANCHOR (5pcs/m)	
				A-DIN 975 M12-120	-	Q5/01B-400	A-DIN 934 M12	A-DIN 125-A2 M12	-	-
OUT	2	-	-	-	-	-	-	-	Q5/08-M8-80S/S	-
	2	-	-	-	-	-	-	-	-	Q5/06-12x110CE
	2	✓	-	-	Q5/08-VM 250-M12-160	Q5/01B-400	-	-	Q5/08-HAZ-M8-85S/S	-
	2	-	-	-	-	-	-	-	-	Q5/08-FBN12-30
	2	-	-	-	-	-	-	-	-	-
	1,7	-	-	-	A-DIN 975 M12-120	Q5/01B-400	A-DIN 934 M12	A-DIN 125-A2 M12	A5/08-M8-80S/S	-
	1,7	-	-	-	-	-	-	-	-	A-Q5/06-12x110CE
	2	-	-	-	-	A5/08-VM 250-M12-160-A4	Q5/01B-400	-	-	-
	1,9	✓	-	-	-	-	-	-	A5/08-HAZ-M8-85S/A4	-
	2	-	-	-	-	-	-	-	-	A4-Q5/06-12x110CE



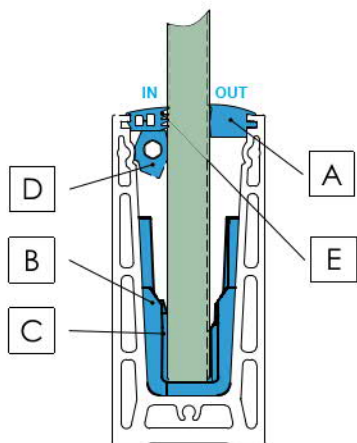
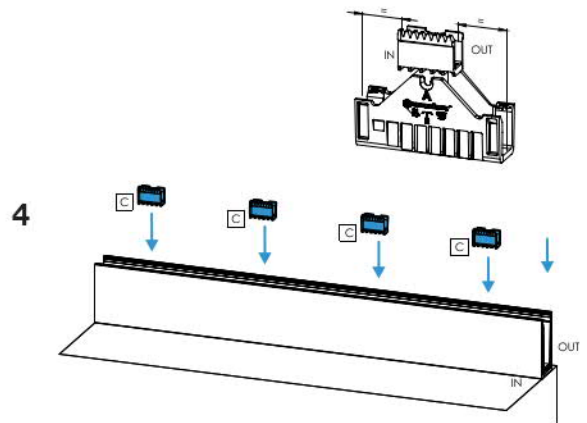
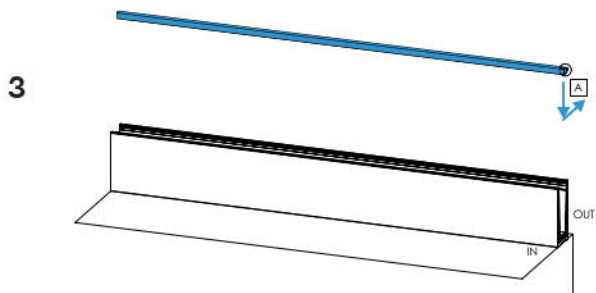
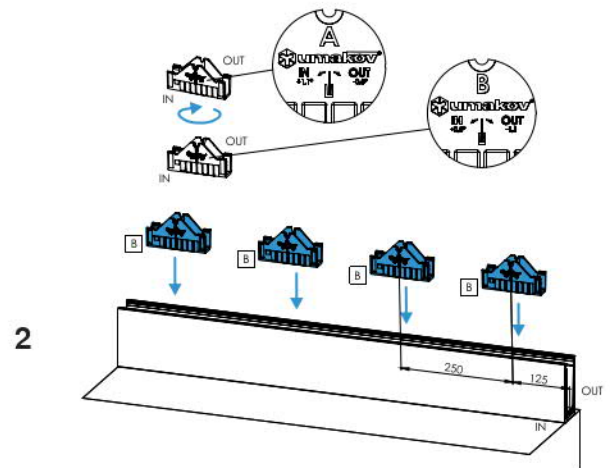
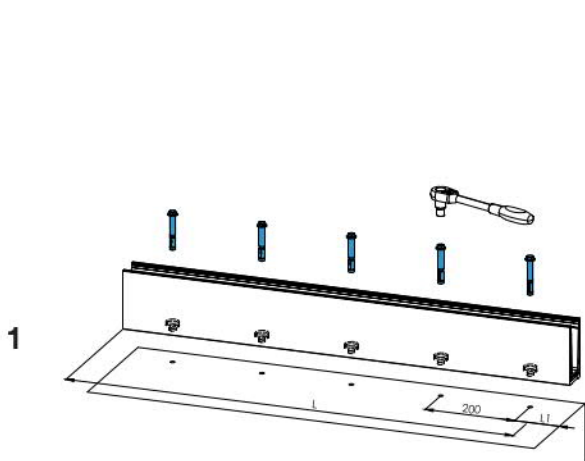
		L	L1	L2
	AL/0004...	1250		200
		2500	50	
		5000	100	
		6000		
	AL/0008...	2500	50	200
		5000	100	
		6000		
	AL/0006...	1250		200
		2500	50	
		5000	100	
		6000		



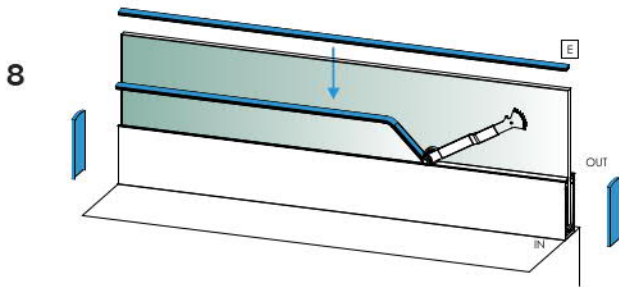
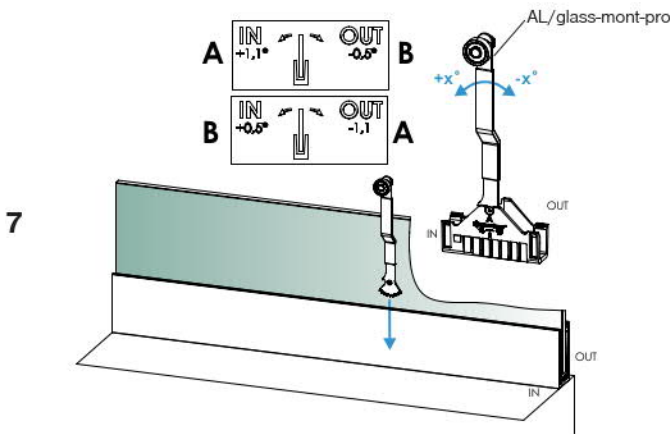
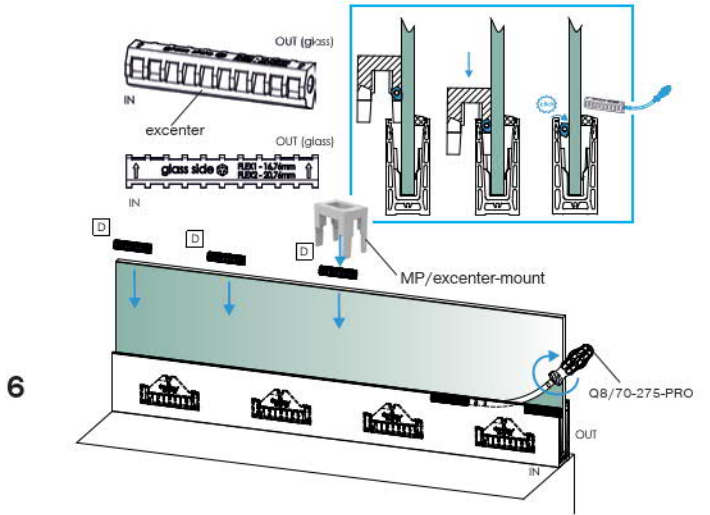
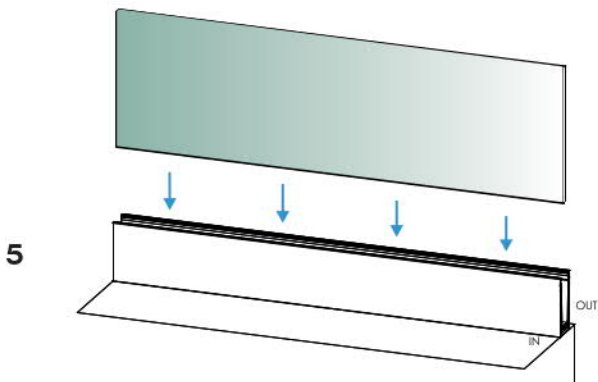


		L	L1	L2
	AL/0005...	1250	125	250
		2500		
	5000			
	6000			
AL/0009...	2500	150		
	5000			
	AL/0011...	1250	50	200
		2500		
		5000	100	
		6000		

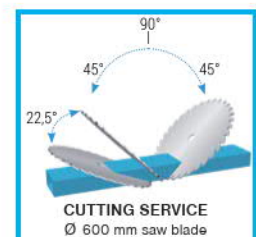
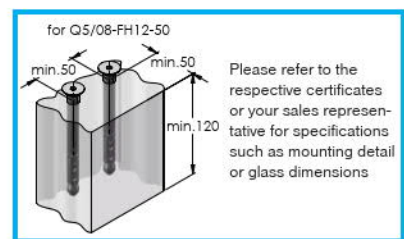




		L	L1
 AL/0004-LIGHT...		2500	50
		5000	100
 AL/0004-PRO... AL/0008-ProXL...		2500	50
		5000	100
		6000	100
 AL/0011-LIGHT... AL/0011-PRO...		2500	50
		5000	100



		L	L1
	AL/0006-UNO...	2500	50
		5000	100
	AL/0018...	2500	50
		5000	100
	AL/0019...	2500	50
		5000	100



AL PROFILE SET



	art.	h	L	glass t
	AL/ZVR100-2500-004			
	AL/ZVR100-2500-004-ECO	1000	2500	16,76 VSG/ESG
	AL/ZVR100-2500-004-LIGHT			

*new*  
*new*

	art.	h	L	glass t
	AL/ZVR100-2500-006			
	AL/ZVR100-2500-006-ECO	1000	2500	16,76 VSG/ESG
	AL/ZVR100-2500-006-UNO			

*new*  
*new*



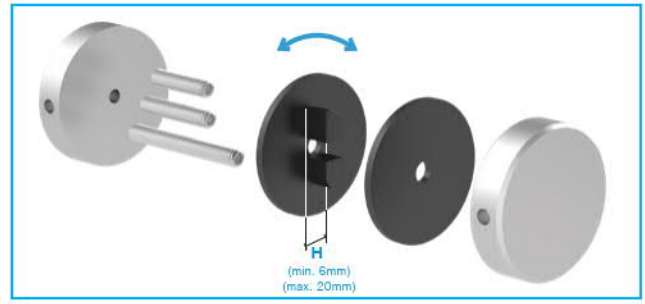
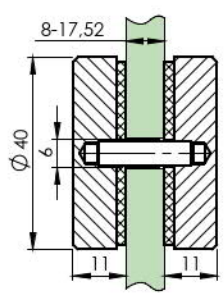
	art.	h	L	glass t
	AL/ZBR100-2500-005			
	AL/ZBR100-2500-005-UNO	1000	2500	16,76 VSG/ESG

*new*

	art.	h	L	glass t
	AL/ZBR100-2500-011			
	AL/ZBR100-2500-011-LIGHT	1000	2500	16,76 VSG/ESG

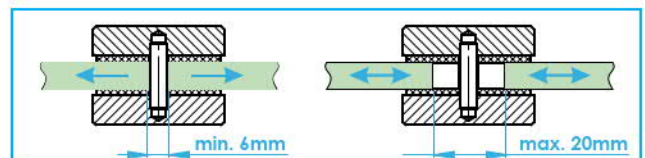
*new*

MODEL 0742



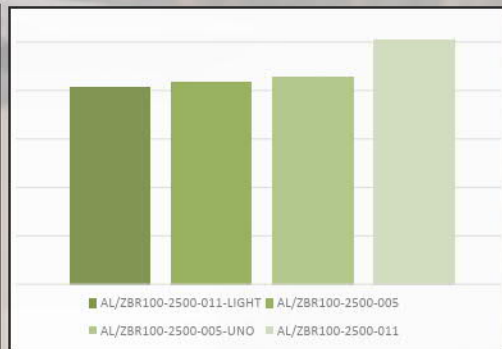
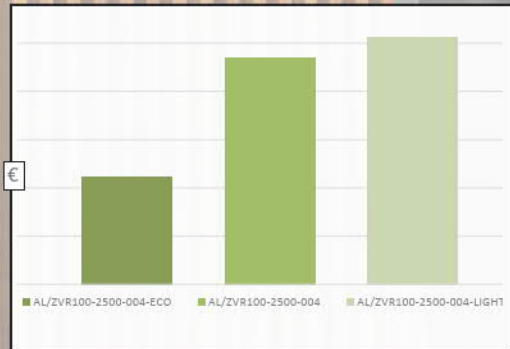
Quality	Finish	art.		glass t
AISI304	satín	A/0742-SET		
			M5X20 (INCLUDED)	8-8,76
			M5X25 (INCLUDED)	10-12,76
			M5X30 (INCLUDED)	13,52-17,52

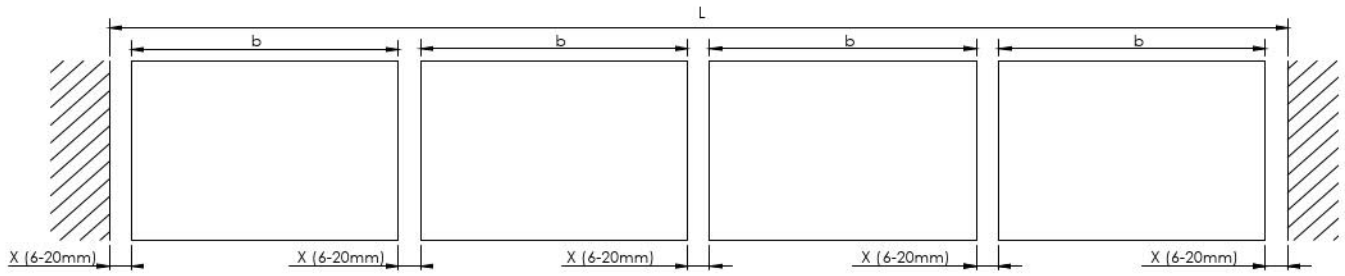
*new*





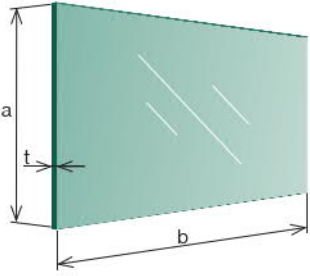
ALUMINIUM RAILING SETS (2,5m) - PRICE COMPARISON





	handrail length L (mm)		glass length b (mm)															alternative		
	min.	max.	500	600	700	800	825	850	875	900	925	950	975	1000	1100	1200	1300		1400	1500
<b>2-fields</b> 3X=18-60mm	1618	1660				2														
	1643	1685				1	1													
	1668	1710				2														
	1693	1735				1	1													
	1718	1760				2														
	1743	1785				1	1													
	1768	1810				2														
	1793	1835				1	1													
	1818	1860				2														
	1843	1885				1	1													
	1868	1910				2														
	1893	1935				1	1													
	1918	1960				2														
	1943	1985				1	1													
	1968	2010				2														
1993	2035				1	1														
2018	2060				2															
<b>3-fields</b> 4X=24-80mm	2024	2080	2												1					
	2049	2105		2			1													
	2074	2130		2			1													
	2124	2180		2						1										
	2174	2230		2							1									
	2224	2280		2								1								
	2249	2305					1													
	2299	2355			2				1											
	2349	2405			2						1									
	2399	2455			2							1								
	2424	2480				3														
	2474	2530				2		1												
	2524	2580				2				1										
	2574	2630				2					1									
	2624	2680				2						1								
	2649	2705							3											
	2699	2755							2		1									
	2749	2805							2			1								
	2799	2855									3									
	2849	2905									2		1							
	2874	2930										3								
	2924	2980										2			1					
	2949	3005											3							
	2974	3030											2		1					
	3024	3080													3					
3074	3130													2		1				
3124	3180													2		1				
3174	3230													2			1			
3224	3280													1		2				
3274	3330					1										2				
3324	3380															3				
3374	3430																2			
3424	3480									1						2		1		
<b>4-fields</b> 5X=30-100mm	3230	3300				4														
	3280	3350				2	2													
	3330	3400				2		2												
	3380	3450				2			2											
	3430	3500				2				2										
	3480	3550					2	2	2											
	3530	3600					2		2	2										
	3580	3650						2	2	2										
	3630	3700							4	2										
	3680	3750							2	2										
	3730	3800							2		2									
	3780	3850							2			2								
	3830	3900							2				2							
	3880	3950									2			2						
	3930	4000									2			2						
	3980	4050										4								
	4030	4100										2		2						
	4080	4150												2						
	4130	4200										2			2					
	4180	4250										2			2					
	4230	4300										2			2					
	4280	4350										2				2				
	4330	4400										2				2				
	4380	4450										2				2				
	4430	4500										2				2				
4480	4550										2					2				
4530	4600										2					2				
4580	4650										2					2				
4630	4700										2					2				
4680	4750										2						2			
4730	4800										2						2			
4780	4850										2						2			
4830	4900										2						2			
4880	4950										2						2			
4930	5000										2						2			
4980	5050										2						2			
5030	5100										2						2		2x1200+2x1300	





# GLASSES IN STOCK

## GLASS - VSG ESG 12,76

Quality	art.	t	a	b
VSG/ ESG 6.6.2	GS/12,76-100x60-VSG/ESG	12,76	1000	600
	GS/12,76-100x70-VSG/ESG			700
	GS/12,76-100x80-VSG/ESG			800
	GS/12,76-100x90-VSG/ESG			900
	GS/12,76-100x95-VSG/ESG			950
	GS/12,76-100x100-VSG/ESG			1000

Quality	art.	t	a	b
VSG/ ESG 6.6.2	GS/12,76-110x60-VSG/ESG	12,76	1100	600
	GS/12,76-110x70-VSG/ESG			700
	GS/12,76-110x80-VSG/ESG			800
	GS/12,76-110x90-VSG/ESG			900
	GS/12,76-110x95-VSG/ESG			950
	GS/12,76-110x100-VSG/ESG			1000

## GLASS - VSG ESG 16,76

Quality	art.	t	a	b
VSG/ ESG 8.8.2	GS/16,76-100x40-VSG/ESG	16,76	1000	400
	GS/16,76-100x50-VSG/ESG			500
	GS/16,76-100x60-VSG/ESG			600
	GS/16,76-100x70-VSG/ESG			700
	GS/16,76-100x80-VSG/ESG			800
	GS/16,76-100x82,5-VSG/ESG			825
	GS/16,76-100x85-VSG/ESG			850
	GS/16,76-100x87,5-VSG/ESG			875
	GS/16,76-100x90-VSG/ESG			900
	GS/16,76-100x92,5-VSG/ESG			925
	GS/16,76-100x95-VSG/ESG			950
	GS/16,76-100x97,5-VSG/ESG			975
	GS/16,76-100x100-VSG/ESG			1000
	GS/16,76-110x100-VSG/ESG			1100
	GS/16,76-120x100-VSG/ESG			1200
	GS/16,76-100x130-VSG/ESG			1300
GS/16,76-100x140-VSG/ESG	1400			
GS/16,76-100x150-VSG/ESG	1500			

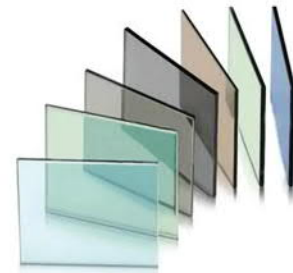
Quality	art.	t	a	b
VSG/ ESG 8.8.2	GS/16,76-110x40-VSG/ESG	16,76	1100	400
	GS/16,76-110x50-VSG/ESG			500
	GS/16,76-110x60-VSG/ESG			600
	GS/16,76-110x70-VSG/ESG			700
	GS/16,76-110x80-VSG/ESG			800
	GS/16,76-110x82,5-VSG/ESG			825
	GS/16,76-110x85-VSG/ESG			850
	GS/16,76-110x87,5-VSG/ESG			875
	GS/16,76-110x90-VSG/ESG			900
	GS/16,76-110x92,5-VSG/ESG			925
	GS/16,76-110x95-VSG/ESG			950
	GS/16,76-110x97,5-VSG/ESG			975
	GS/16,76-110x100-VSG/ESG			1000
	GS/16,76-110x110-VSG/ESG			1100
	GS/16,76-120x110-VSG/ESG			1200
	GS/16,76-110x130-VSG/ESG			1300
GS/16,76-110x140-VSG/ESG	1400			
GS/16,76-110x150-VSG/ESG	1500			

Quality	art.	t	a	b
VSG/ ESG 8.8.2	GS/16,76-120x40-VSG/ESG	16,76	1200	400
	GS/16,76-120x50-VSG/ESG			500
	GS/16,76-120x60-VSG/ESG			600
	GS/16,76-120x70-VSG/ESG			700
	GS/16,76-120x80-VSG/ESG			800
	GS/16,76-120x82,5-VSG/ESG			825
	GS/16,76-120x85-VSG/ESG			850
	GS/16,76-120x87,5-VSG/ESG			875
	GS/16,76-120x90-VSG/ESG			900
	GS/16,76-120x92,5-VSG/ESG			925
	GS/16,76-120x95-VSG/ESG			950
	GS/16,76-120x97,5-VSG/ESG			975
	GS/16,76-120x100-VSG/ESG			1000
	GS/16,76-120x110-VSG/ESG			1100
	GS/16,76-120x120-VSG/ESG			1200
	GS/16,76-120x130-VSG/ESG			1300
GS/16,76-120x140-VSG/ESG	1400			
GS/16,76-120x150-VSG/ESG	1500			

## GLASS - VSG ESG 17,52

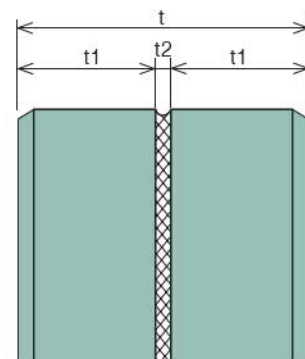
Quality	art.	t	a	b
ULTRA CLEAR VSG/ ESG 8.8.4	GSU/17,52-110x80-VSG/ESG	17,52	1100	800
	GSU/17,52-110x82,5-VSG/ESG			825
	GSU/17,52-110x85-VSG/ESG			850
	GSU/17,52-110x87,5-VSG/ESG			875
	GSU/17,52-110x90-VSG/ESG			900
	GSU/17,52-110x92,5-VSG/ESG			925
	GSU/17,52-110x95-VSG/ESG			950
	GSU/17,52-110x97,5-VSG/ESG			975
	GSU/17,52-110x100-VSG/ESG			1000
	GSU/17,52-110x110-VSG/ESG			1100
	GSU/17,52-110x120-VSG/ESG			1200
	GSU/17,52-110x130-VSG/ESG			1300
	GSU/17,52-110x140-VSG/ESG			1400
	GSU/17,52-110x150-VSG/ESG			1500

## COLOR GLASS ATYP



Quality	art.	t	a	b
VSG/ESG	GS/COLOR-ATYP			info@umakov.sk <i>new</i>

VSG Glass	4.4.2	5.5.2	6.6.2	6.6.4	8.8.2	8.8.4	10.10.2	10.10.4
t1	2x4	2x5	2x6	2x6	2x8	2x8	2x10	2x10
t2	0,76	0,76	0,76	1,52	0,76	1,52	0,76	1,52
t	8,76	10,76	12,76	13,52	16,76	17,52	20,76	21,52



Glass	FLOAT, ESG							
t1 (mm)	3	4	5	6	8	10	12	15
Tolerance (± mm)	0,2	0,2	0,2	0,2	0,3	0,3	0,3	0,5
Weight (kg/m²)	7,5	10	12,5	15	20	25	30	37,5

# 2

## GLASS ADAPTERS





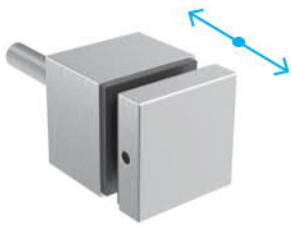
## ROUND MODELS

FLEX1

FLEX2

FLEX3

FIX



## SQUARE MODELS

FLEX

FIX

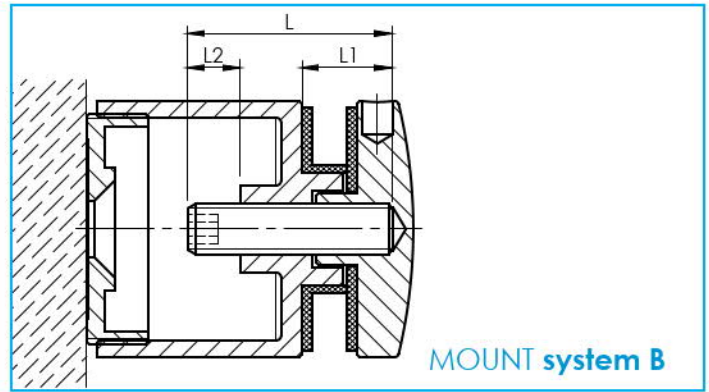
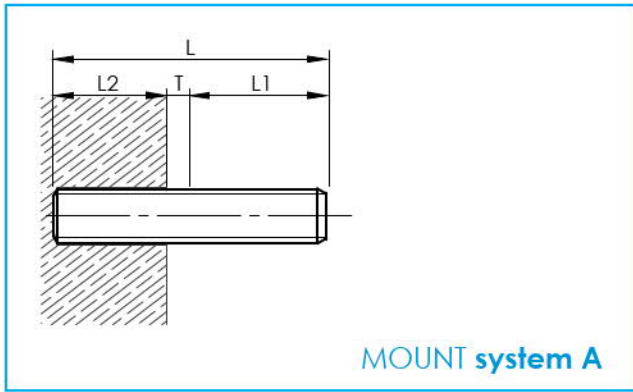



## DOUBLE ADAPTERS


GLASS

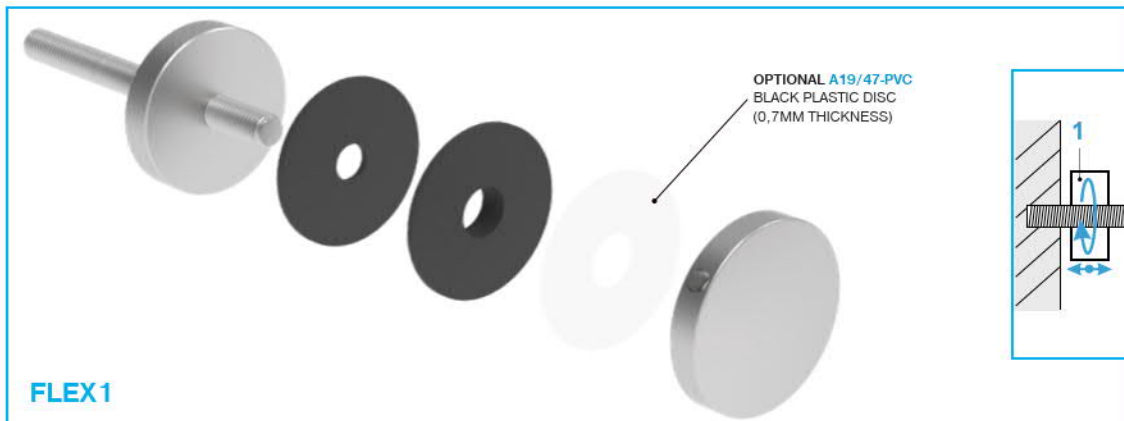


## SETS

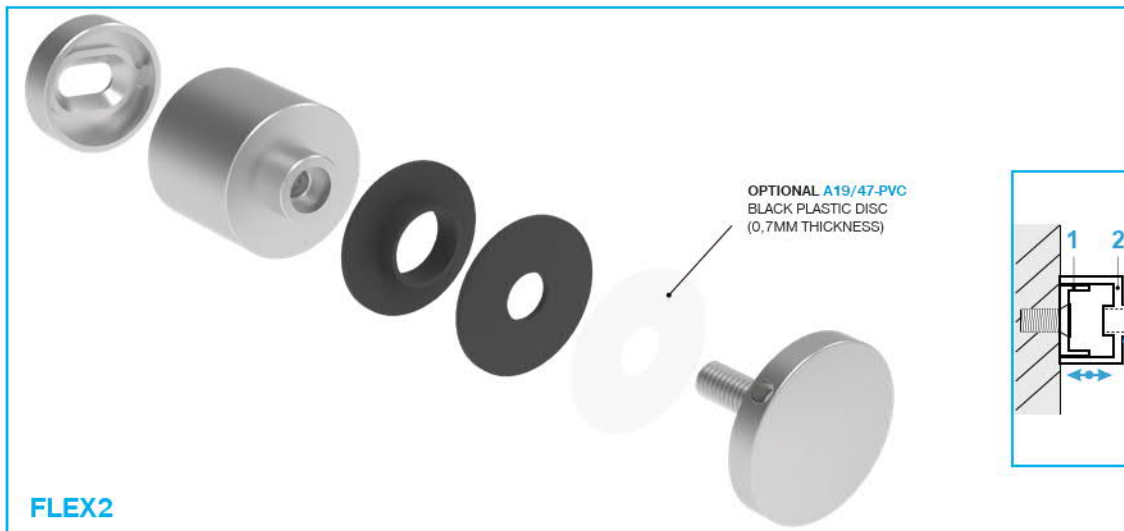
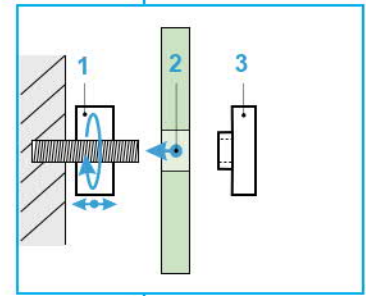


ROUND	MODEL	MOUNT system	art.	∅	MxL	glass t *	L	L1	L2	T
	FLEX1	A	A/0746-FLEX1-B	30	M8x40	6-12,76	40	19,5 - 26,2	20,5 - 13,7	0+
			A/0742-FLEX1	40	M10x45	8-17,52	45	21,5 - 31	23,5 - 13,9	0+
			A/0747-FLEX1-B	50	M10x130	8-17,52	130	27 - 36,5	103 - 93,4	0+
	FLEX2	A	A/0747-FLEX2	50	M10x125	8-17,52	125	52 - 72 61,5 - 81,5	73 - 53 63,4 - 43,4	-
			A/0747-501 FLEX2	50	M10x40	8-17,52	40	16,2 - 25,7	9,9 - 0,3	-
		B	A/0747-502 FLEX2	50	M10x40	8-17,52	40	16,2 - 25,7	9,9 - 0,3	-
			A/0747-503 FLEX2	50	M10x40	8-17,52	40	16,2 - 25,7	9,9 - 0,3	-
	FLEX3	B	A/0742-FLEX3	40	M10x40	8-17,52	40	12,6 - 22,1	9,9 - 0,3	-
			A/0747-FLEX3	50	M10x40	8-17,52	40	17,1 - 26,6	10,9 - 1,3	-
	FIX	A	A/0746-000	30	M8x40	6-12,76	40	24 - 30,7	16 - 9,2	-
			A/0746-300	30	M8x80	6-12,76	80	41 - 47,7	39 - 32,2	-
			A/0746-400	30	M8x80	6-12,76	80	51 - 57,7	29 - 22,2	-
			A/0746-500	30	M8x100	6-12,76	100	61 - 67,7	39 - 32,2	-
			A/0746-033	30	M8x50	6-12,76	40	24 - 30,7	16 - 9,2	-
			A/0746-042	30	M8x40	6-12,76	40	24 - 30,7	16 - 9,2	-
			A/0742-000	40	M10x100	8-17,52	100	20 - 29,5	80 - 70,4	-
			A/0742-042	40	M10x40	8-17,52	40	20 - 29,5	20 - 10,4	-
			A/0742-FIX	40	M10x100	8-17,52	100	37 - 46,5 50 - 59,5 60 - 69,5	63 - 53,4 50 - 40,4 40 - 30,4	-
			A/0747-000-S	50	M8x45	8-17,52	45	25 - 34,5	20 - 10,4	-
			A/0747-000	50	M10x45	8-17,52	45	25 - 34,5	20 - 10,4	-
			A/0747-200	50	M10x70	8-17,52	70	37 - 46,5	33 - 23,4	-
			A/0747-300	50	M10x70	8-17,52	70	47 - 56,5	23 - 13,4	-
A/0747-400			50	M10x90	8-17,52	90	57 - 66,5	33 - 23,4	-	
A/0747-500			50	M10x90	8-17,52	90	67 - 76,5	23 - 13,4	-	
A/0747-242			50	M10x50	8-17,52	50	25 - 34,5	25 - 15,4	-	
A/0749-000	60	M10x100	8-17,52	100	23 - 32,5	77 - 67,4	-			
A/0749-042	60	M10x100	8-17,52	100	20 - 29,5	80 - 70,4	-			
A/0748-000	70	M10x45	8-17,52	45	25 - 34,5	20 - 10,4	-			
A/0748-242	70	M10x40	8-17,52	40	25 - 34,5	15 - 5,4	-			

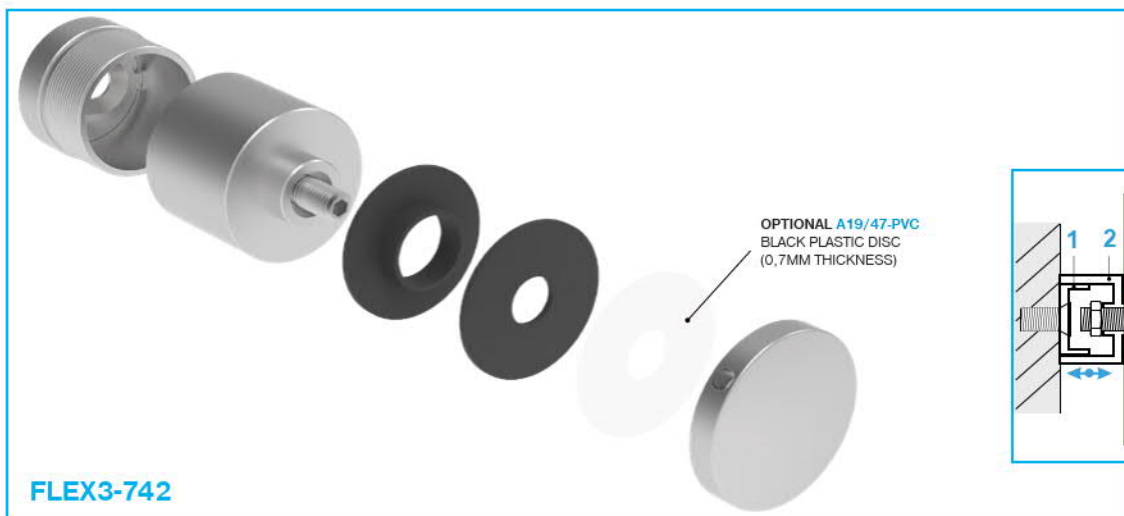
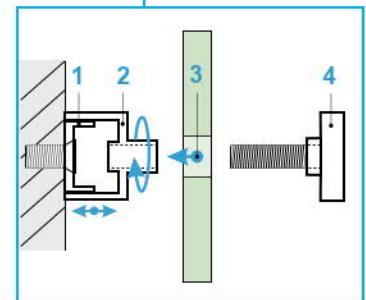
SQUARE	MODEL	MOUNT system	art.	∇	M	glass t	L	L1	L2	T
	FLEX1	A	A/0745-300-FLEX1	40x40	M10x100	8-17,52	100	42 - 51,5	58 - 48,4	-
	FIX	A	A/0745-300	40x40	M10x100	8-17,52	100	42 - 51,5	58 - 48,4	-
			A/0745-500	40x40	M10x100	8-17,52	100	62 - 71,5	38 - 28,4	-



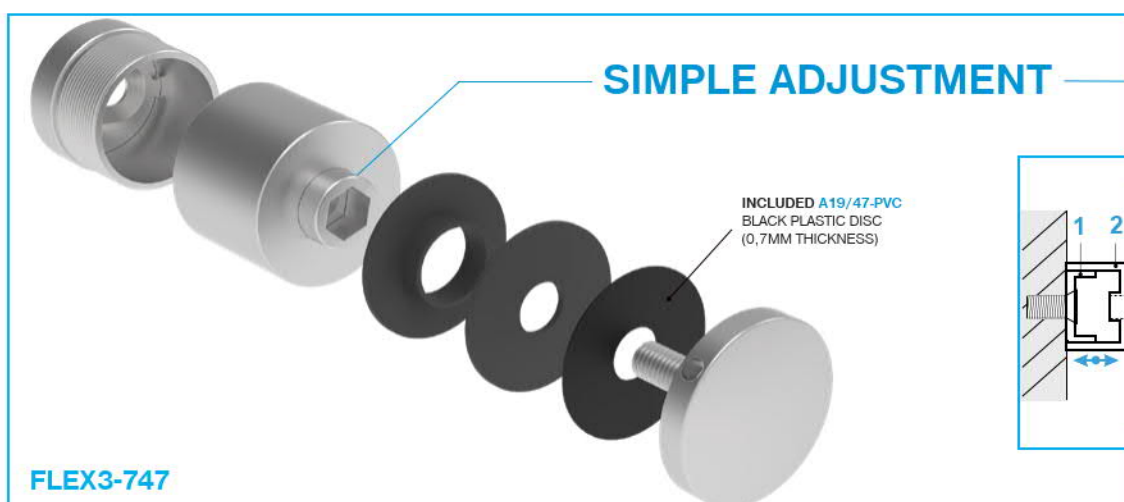
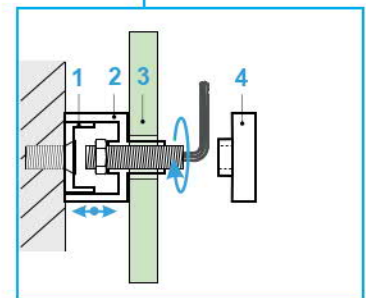
FLEX1



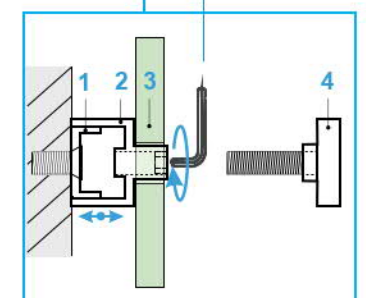
FLEX2



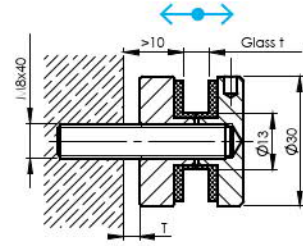
FLEX3-742



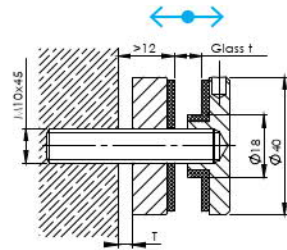
FLEX3-747



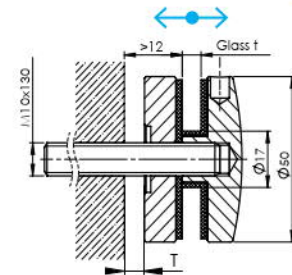
MODEL FLEX1



Quality	Finish	Ø	art.	glass t	glass hole	DISC Ø
AISI304	satın	flat	A/0746-FLEX1-B	6-12,76	15	30

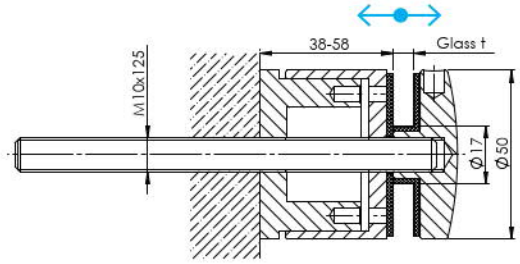


Quality	Finish	Ø	art.	glass t	glass hole	DISC Ø
AISI304	satın	flat	A/0742-FLEX1	8-17,52	20	40

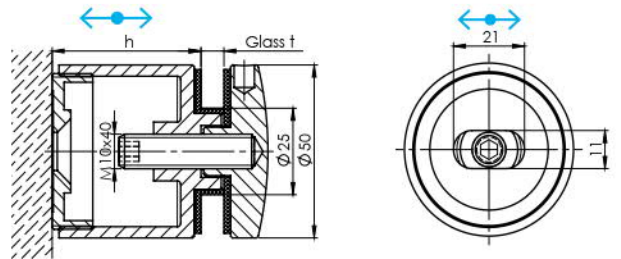


Quality	Finish	Ø	art.	glass t	glass hole	DISC Ø
AISI304	satın	flat	A/0747-FLEX1-B	8-17,52	20	50

MODEL FLEX2



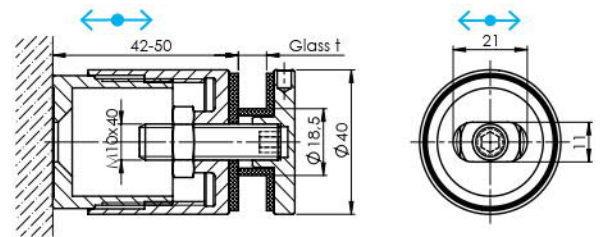
Quality	Finish	Effect	∅	art.	glass t	glass hole	DISC ∅
AISI304	satın	-	flat	A/0747-FLEX2	8-17,52	20	50
	polish	PVD black		A-PVD/0747-FLEX2			
				A-PVD/0747-FLEX2-L			
AISI316	satın	-		A14/0747-FLEX2			



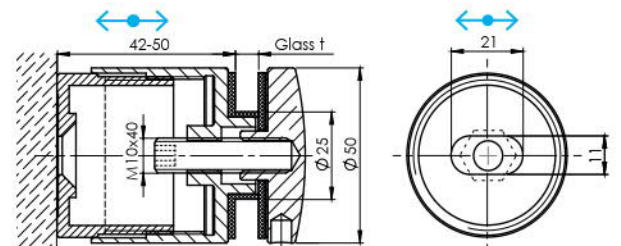
Quality	Finish	Effect	∅	art.	h	glass t	glass hole	DISC ∅
AISI304	satın	-	flat	A/0747-501 FLEX2	42-47	8-17,52	30	50
	matte	RAL 9005		A-BL/0747-501 FLEX2				
				A-PVD/0747-501 FLEX2				
	satın	PVD black		A/0747-502 FLEX2				
	matte	RAL 7016		A-AN/0747-502 FLEX2				
		A/0747-503 FLEX2	52-57					

new  
new  
new

MODEL FLEX3



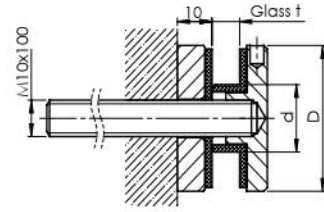
Quality	Finish	∅	art.	glass t	glass hole	DISC ∅
AISI304	satın	flat	A/0742-FLEX3	8-17,52	22	40



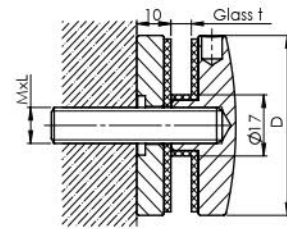
Quality	Finish	∅	art.	glass t	glass hole	DISC ∅
AISI304	satın	flat	A/0747-FLEX3	8-17,52	30	50
AISI316			A14/0747-FLEX3			
	polish		A14/0747-FLEX3-L			



MODEL FIX

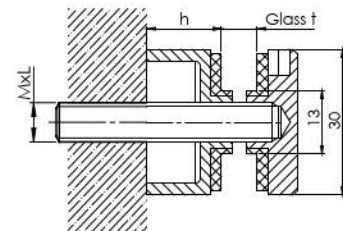


Quality	Finish	Ø	art.	D	d	glass t	glass hole	DISC Ø
AISI304	satin	flat	A/0742-000	40	18,5	8-17,52	22	40
			A/0749-000	60	18			60



Quality	Finish	Effect	Ø	art.	D	MxL	glass t	glass hole	DISC Ø
AISI304	satin	-	flat	A/0747-000-S	50	M8x45	8-17,52	20	50
		A/0747-000							
	PVD black	A-PVD/0747-000							
	matte	RAL 9005		A-BL/0747-000					
	RAL 7016	A-AN/0747-000							
polish	A/0747-000-L								
AISI316	satin	-	A14/0747-000	70	M8x45	8-17,52	20	70	
ZAMAK	natural	A14/0747-000-S							
AISI304	satin	-	ZN/0747-000	70	M10x45	8-17,52	20	70	
			A/0748-000						

*top  
new  
new*

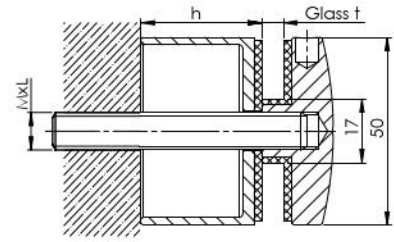


Quality	Finish	Effect	Ø	art.	h	MxL	glass t	glass hole	DISC Ø
AISI304	satin	-	flat	A/0746-000	15	M8x40	6-12,76	15	30
	matte	RAL 9005		A-BL/0746-000					
	RAL 7016	A-AN/0746-000							
	polish	A/0746-000-L							
AISI316	satin	-	A14/0746-000	32	M8x80	6-12,76	15	30	
ZAMAK	natural	ZN/0746-000							
AISI304	satin	-	flat	A/0746-300	42	M8x100	6-12,76	15	30
				A/0746-400	52				
				A/0746-500	52				

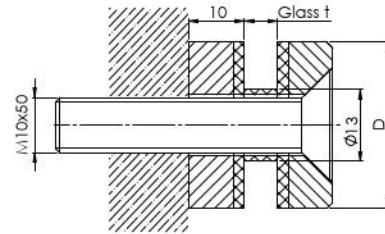
*new  
new*



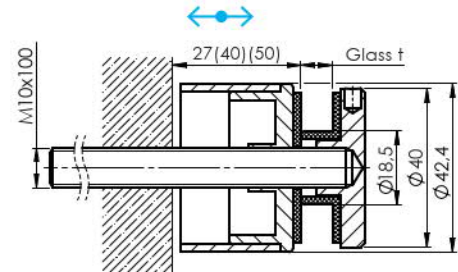




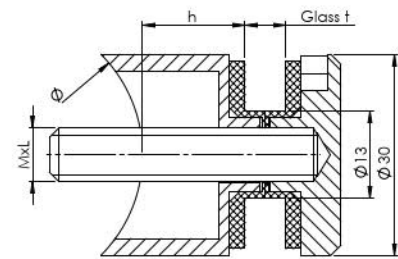
Quality	Finish	∅	art.	h	MxL	glass t	glass hole	DISC ∅
AISI304	satin	flat	A/0747-200	22	M10x70	8-17,52	20	50
			A/0747-300	32				
			A/0747-400	42				
AISI316			A/0747-500	52	M10x90			
			A14/0747-300	32	M10x70			



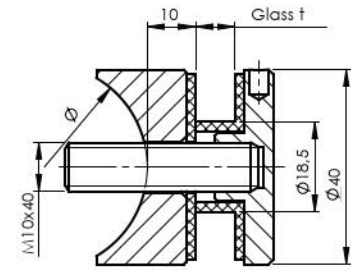
Quality	Finish	∅	art.	D	glass t	glass hole
AISI304	satin	flat	A/0763-000	30	6-12,76	15
			A/0764-000	40	8-17,52	
AISI316			A14/0763-000	30	6-12,76	
			A14/0764-000	40	8-17,52	



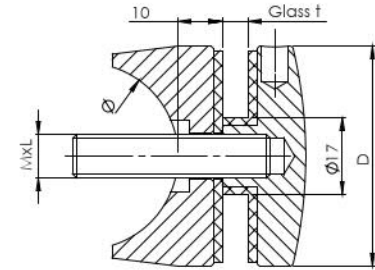
Quality	Finish	∅	art.	glass t	glass hole
AISI304	satin	flat	A/0742-FIX	8-17,52	22



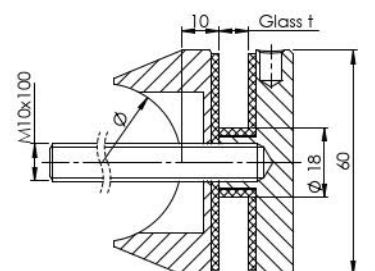
Quality	Finish	Ø	art.	h	MxL	glass t	glass hole
AISI304	satin	33,7	A/0746-033	13	M8x50	6-12,76	15
AISI316		42,4	A14/0746-042	15	M8x40		



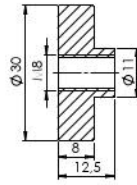
Quality	Finish	Ø	art.	glass t	glass hole
AISI304	satin	42,4	A/0742-042	8-17,52	22



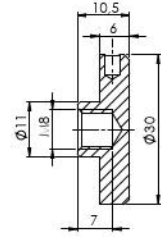
Quality	Finish	Ø	art.	D	MxL	glass t	glass hole
AISI304	satin	42,4	A/0747-242	50	M10x45	8-17,52	20
AISI316			A14/0748-242	70	M10x80		
AISI316			A14/0747-242	50	M10x45		



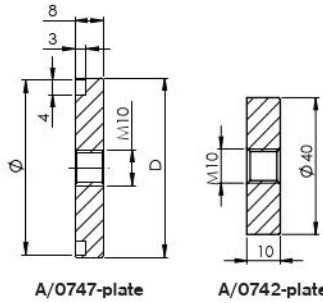
Quality	Finish	Ø	art.	glass t	glass hole
AISI304	satin	42,4	A/0749-042	8-17,52	20



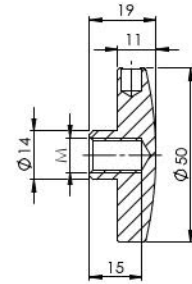
Quality	Finish	art.
AISI304	satın	A/0746-plate



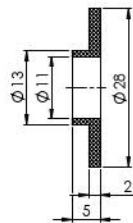
Quality	Finish	art.
AISI304	satın	A/0746-front



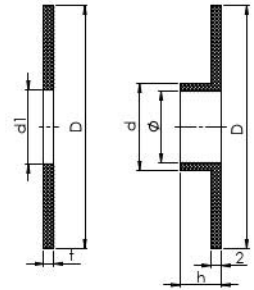
Quality	Finish	art.	D	Ø
AISI304	satın	A/0742-plate	40	38,7
		A/0747-plate	50	48,7



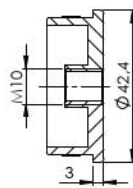
Quality	Finish	art.	M
AISI304	satın	A/0747-front	10
		A/0747-S-front	8



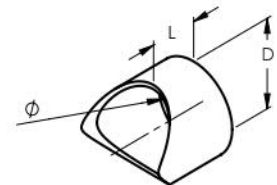
Quality	Finish	art.	Compatibility
Rubber	black	A19/46-Black	A/0746-...
	white	A19/46-White	



Quality	Finish	art.	D	h	d	d1	t	Ø	Compatibility
Rubber	black	A19/47-Black	48	8	17	10,5	14	22	A/0747-...
		A19/47-1-Black	48	8	25	14,5	22	A/0742-...	
	white	A19/47-White	48	8	17	10,5	14	22	A/0747-...
		A19/47-1-White	48	8	25	14,5	22	A/0747-...	
PVC	black	A19/47-PVC	-	-	-	14,5	0,7	-	new



Quality	Finish	art.
AISI304	satın	A/5736-242-M10

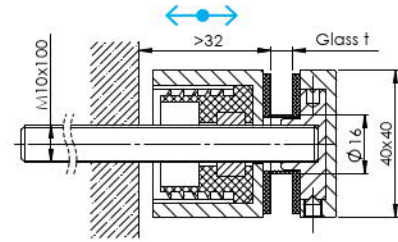


Quality	Finish	Ø	D	art.	L
AISI304	satın	flat	33,7x2	A/33,7x2-22-000	22
				A/42,4x2-22-000	
				A/42,4x2-35-000	35
		42,4	33,7x2	A/33,7x2-22-042	22
				A/42,4x2-22-042	
			42,4x2	A/42,4x2-22-042	

new

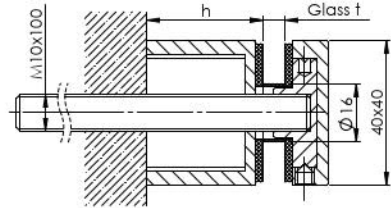
new

MODEL FLEX

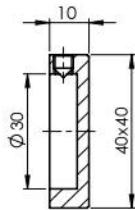


Quality	Finish	∅	art.	glass t	glass hole
AISI304	satın	flat	A/0745-300-FLEX1	8-17,52	18

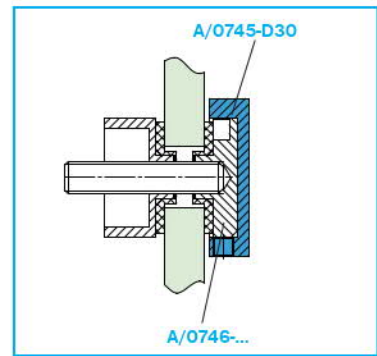
MODEL FIX



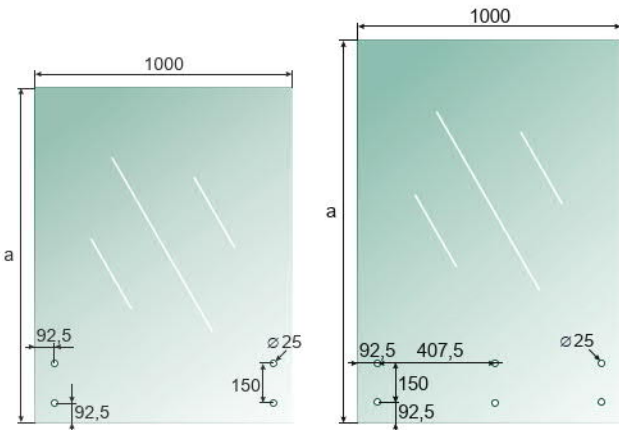
Quality	Finish	∅	art.	h	glass t	glass hole
AISI304	satın	flat	A/0745-300	32	8-17,52	18
			A/0745-500	52		



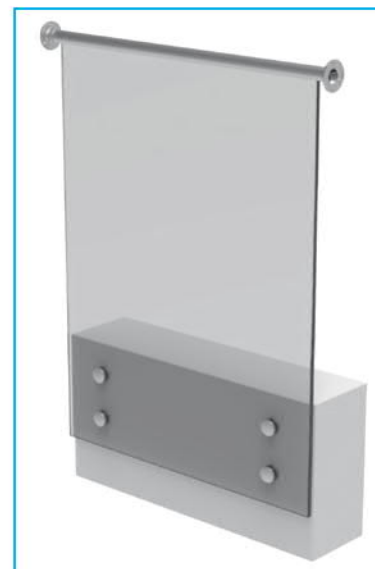
Quality	Finish	art.
AISI304	satın	A/0745-D30



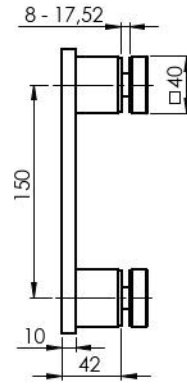
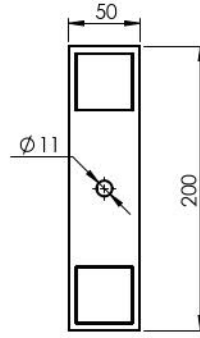
GLASS... VSG ESG 16,76



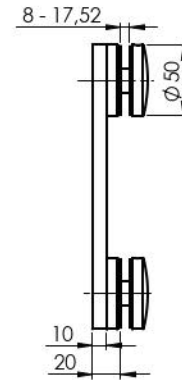
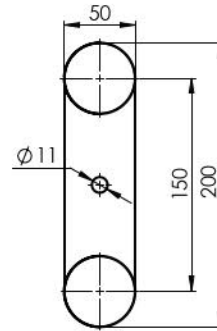
Quality	art.	a	glass t	holes
VSG/ESG	GS/16,76-98x100-VSG/ESG	980	16,76	4
	GS/16,76-133x100-VSG/ESG	1330		
	GS/16,76-108x100-VSG/ESG	1080		
	GS/16,76-143x100-VSG/ESG	1430		



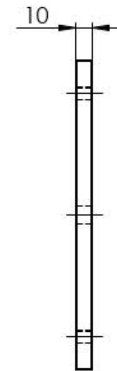
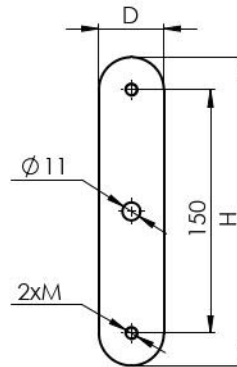
MODEL **FIX**



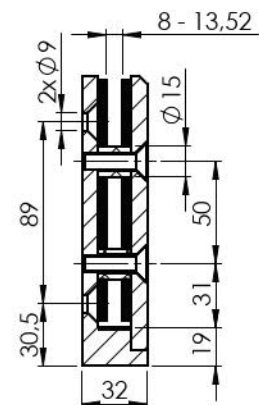
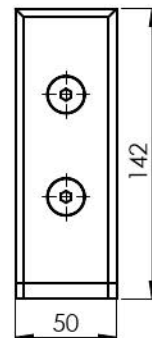
Quality	Finish	art.	glass hole
AISI304	satın	A/2740-000	18



Quality	Finish	art.	glass hole
AISI304	satın	A/2747-000	20



Quality	Finish	art.	D	H	M
AISI304	satın	A/2746-000 plate T10mm	40	190	8
		A/2747-000 plate T10mm	50	200	10



Quality	Finish	art.	glass hole
AISI316	satın	A14/3000-000	18

# 3

## SPIGOTS





**ROUND MODELS**  
FIX



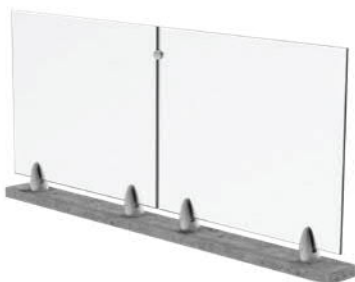
**ELIPSE MODELS**  
FLEX



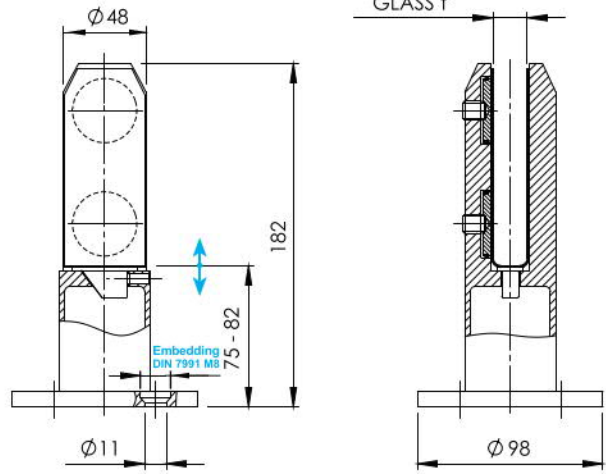
**SQUARE MODELS**  
FIX



**POST MODELS**  
FIX



**GLASSES + SETS**



3

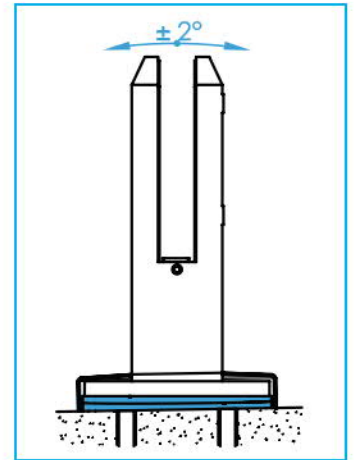
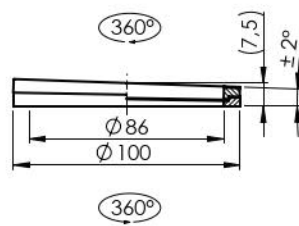
SPIGOTS

Quality	Finish	Effect	art.	G/h	pcs/m	Glass t
AISI304	satin	-	A/6100-000-B	0,5kN	3	12-17,52
	matte	RAL 9005	A-BL/6100-000-B			
AISI316	satin	-	A14/6100-000-B	0,5kN	3	12-17,52
	polish	-	A14/6100-000-B-L			
S.S.2205	satin	-	A22/6100-000-B			

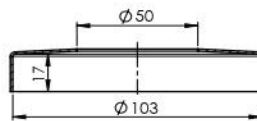
new

new

GLASS 12,76/16,76 → 65



Quality	Finish	art.
AISI304	natural	Q10/ANGLE-0-2-100

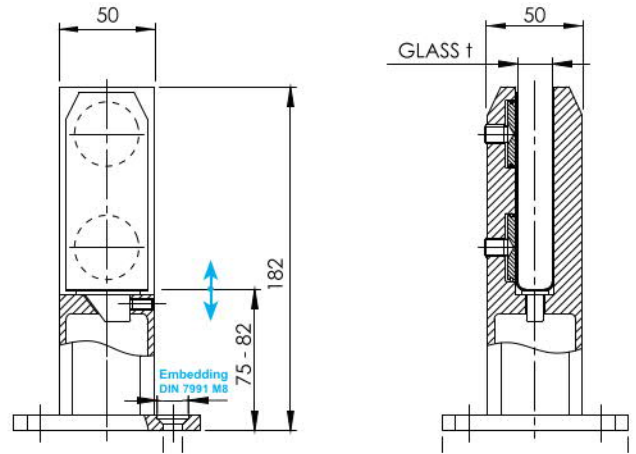


Quality	Finish	Effect	art.
AISI304	satin	-	A/0512-050
AISI316			A14/0512-050
AISI304	matte	RAL 9005	A-BL/0512-050

new





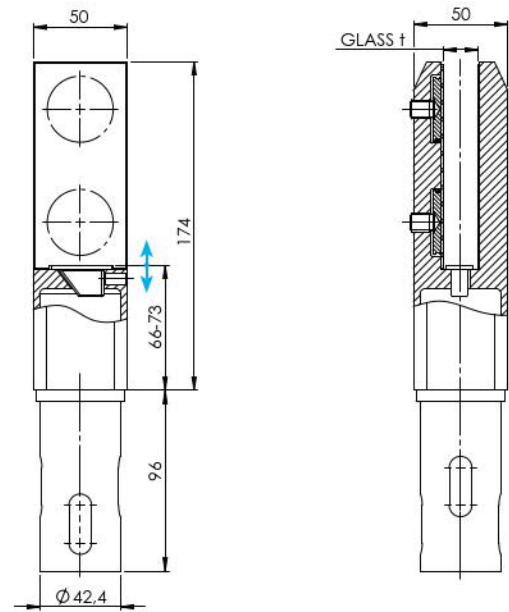


A14/6210-000      .../6200-000-C

Quality	Finish	Effect	art.	G/h	pcs/m	Glass t
AISI304	satin	-	A/6200-000-C	0,5kN	3	12-17,52
	matte	RAL 9005	A-BL/6200-000-C			
		RAL 7016	A-AN/6200-000-C			
AISI316	satin	-	A14/6200-000-C			
	polish	-	A14/6200-000-C-L			
		-	A14/6210-000			
S.S.2205	satin	-	A22/6200-000-C	0,5kN	2	
		-	-	1kN	3	

new  
new  
new

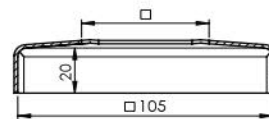
GLASS 12,76/16,76 → 65



Quality	Finish	art.	G/h	pcs/m	Glass t
S.S.2205	satin	A22/6230-000	-	-	12-17,52

new

GLASS 12,76/16,76 → 65

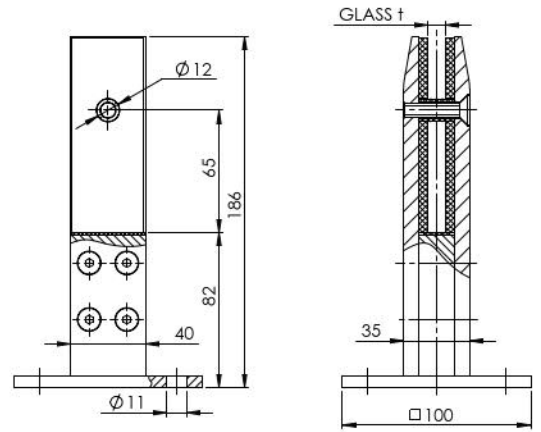


Quality	Finish	Effect	art.	
AISI316	satin	-	A14/4511-050-B	51,5
	polish	-	A14/4511-050-B-L	
		matte	RAL 9005	

new



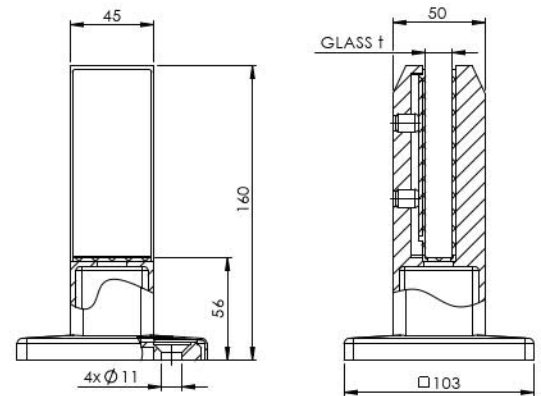
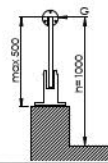
MODEL FIX



GLASS 12,76/16,76 → 65

Quality	Finish	art.	G/h	pcs/m	Glass t	glass hole
AISI304	satın	A/6200-000-B	0,5kN	3	12-17,52	15

3  
SPIGOTS



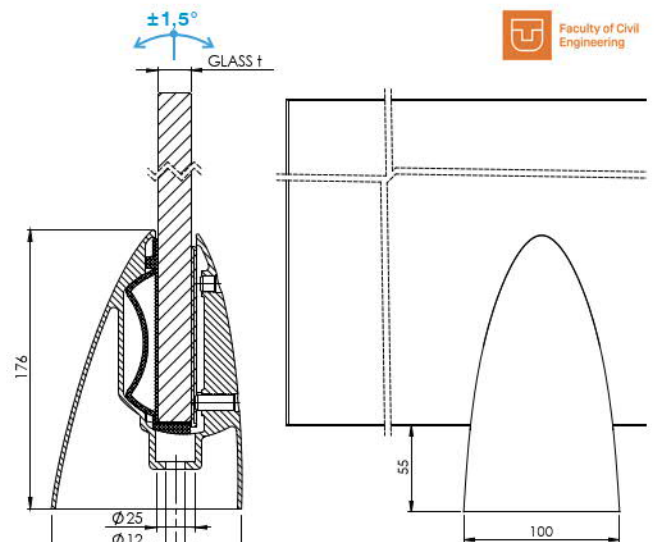
GLASS 12,76/16,76 → 65

Quality	Finish	Effect	art.	G/h	pcs/m	Glass t
AISI316	satın	-	A14/6220-014	0,25kN*	3	12,0-13,5
			A14/6220-018			16,0-17,5
	matte	RAL 9005	A14-BL/6220-018			

new

\* for use only with anchored cap rail

MODEL FLEX

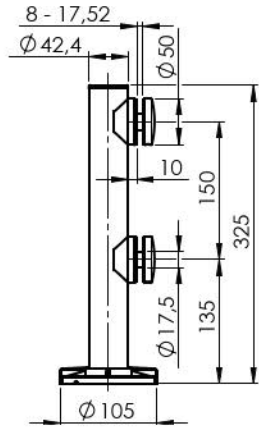


Quality	Finish	Effect	art.	G/h	pcs/m	Glass t
AISI304	satın	-	A/6501-000	0,5kN	2	16,76-21,52
AISI316			A14/6501-000			
S.S.2205			A22/6501-000			
AISI304	matte	RAL 9005	A-BL/6501-000			

new

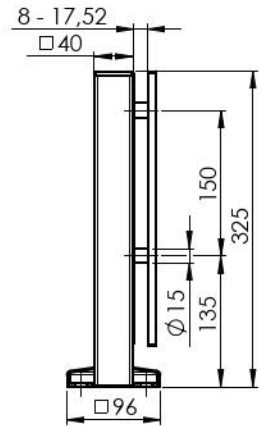
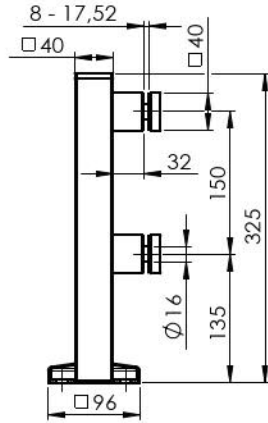


MODEL FIX



Quality	Finish	art.	Glass	Glass hole
AISI316	satın	A14/6300-000	GS/16,76...	20

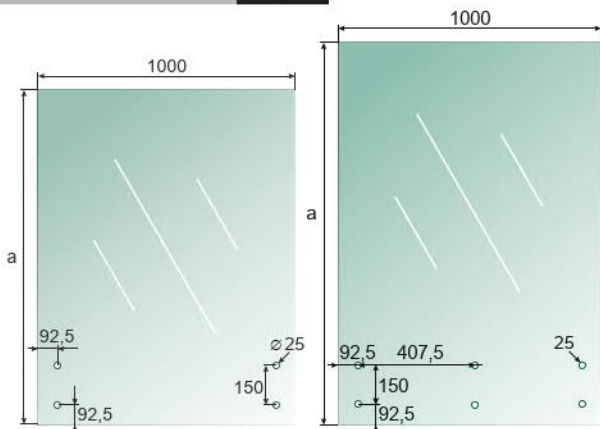
MODEL FIX



Quality	Finish	art.	Glass	Glass hole
AISI304	satın	A/6400-040	GS/16,76...	20

Quality	Finish	art.	Glass	Glass hole
AISI304	satın	A/6400-040-plate	GS/16,76...	20

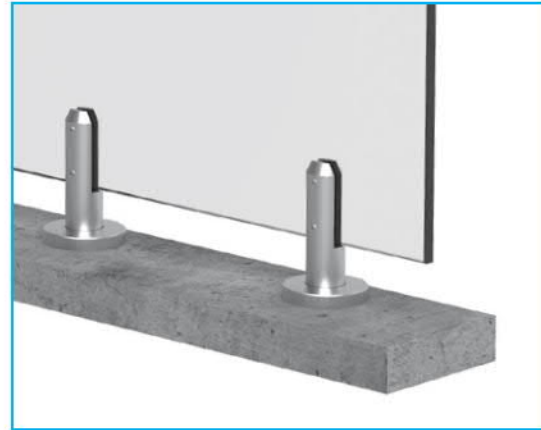
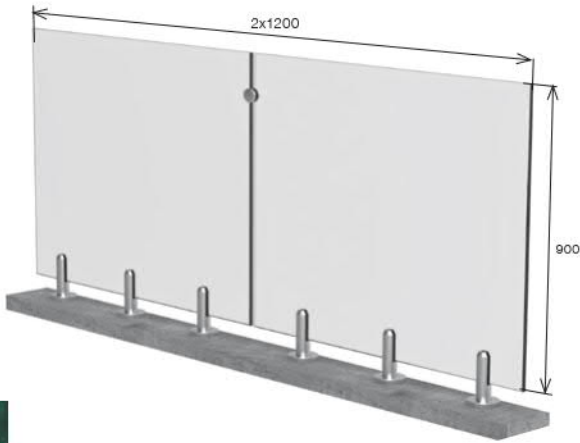
GLASS... VSG ESG 16,76



Quality	art.	a	glass t	holes
VSG/ESG	GS/16,76-98x100-VSG/ESG	980	16,76	4
	GS/16,76-133x100-VSG/ESG	1330		
	GS/16,76-108x100-VSG/ESG	1080		
	GS/16,76-143x100-VSG/ESG	1430		

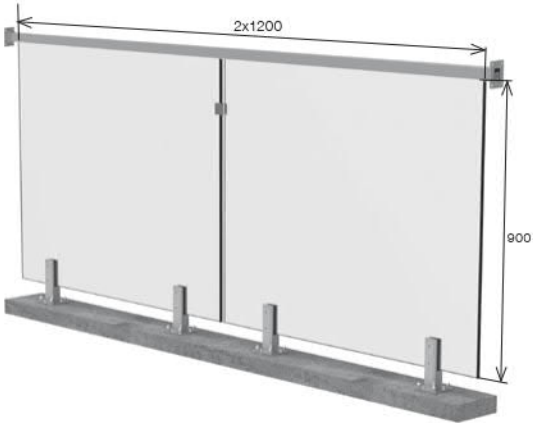


MODEL 6100 SET



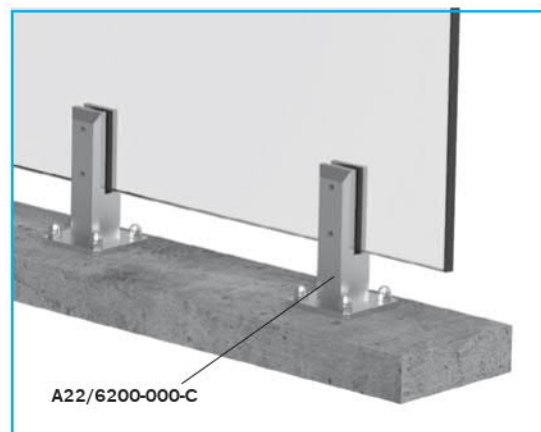
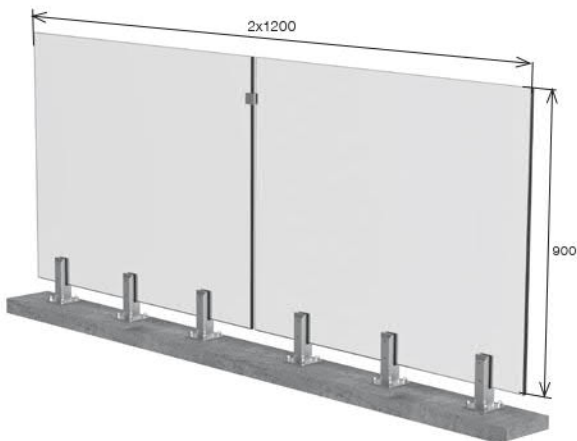
art.	G/h	glass t
GS/FRB8-120x100-6100-6	0,5kN	16,76 VSG/ESG

MODEL 6200 SET

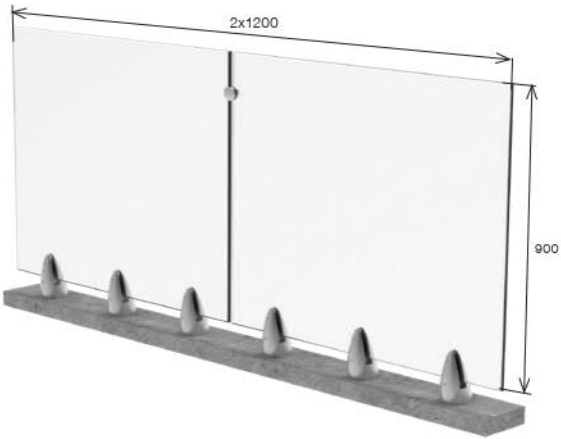


art.	G/h	glass t
GS/FRB-103x120-6200	0,5kN	16,76 VSG/ESG

• handrail is not included, but it is recommended in this SET.

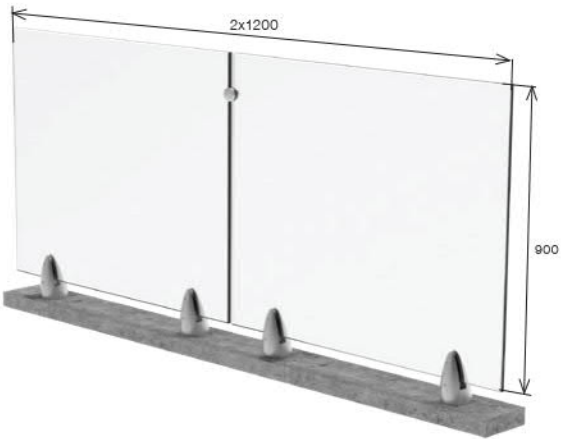


art.	G/h	glass t
GS/FRB8-120x100-6200-6	1kN	16,76 VSG/ESG



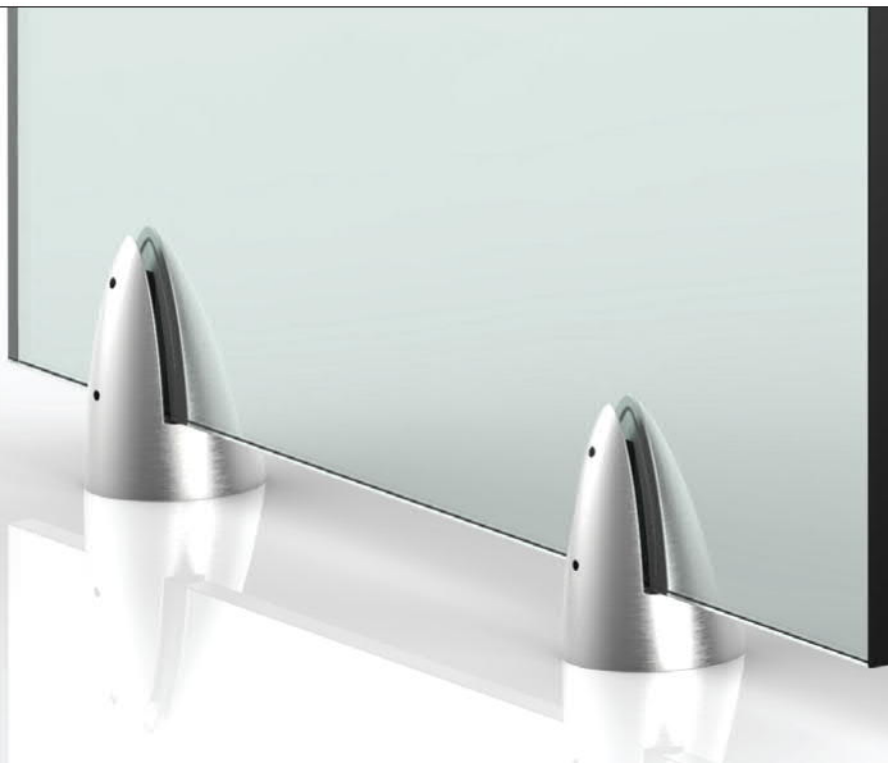
art.	G/h	glass t
GS/FRB8-120x100-6501-6	1kN	16,76 VSG/ESG

*new*



art.	G/h	glass t
GS/FRB-120x100-6501	0,5kN	16,76 VSG/ESG

*new*



4

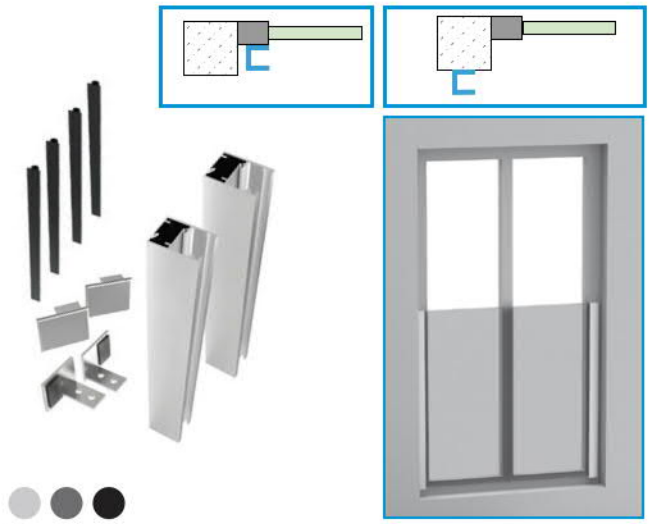
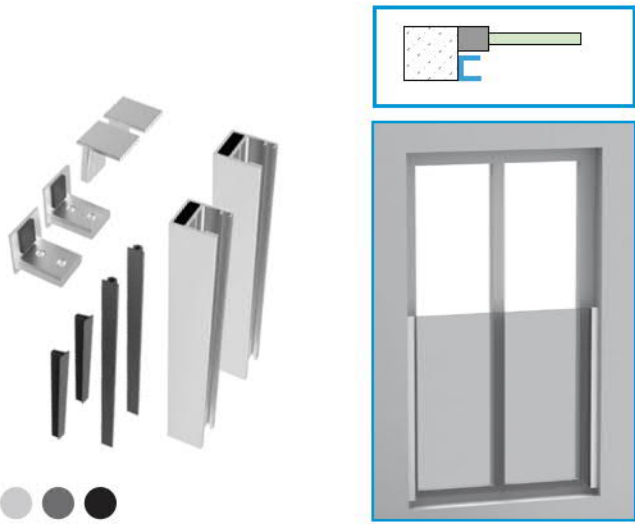
JULIET BALCONY



**Black ELOX**  
ALUMINUM

MODEL **FRB10-BK** SET WITHOUT GLASS

MODEL **FRB10-ZK** SET WITHOUT GLASS



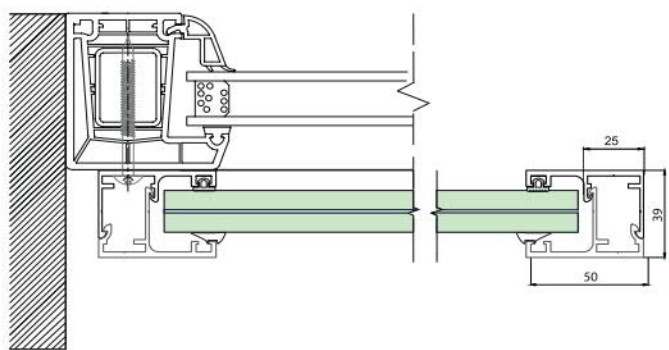
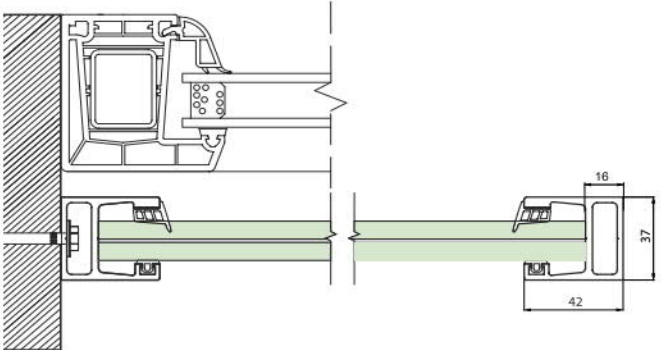
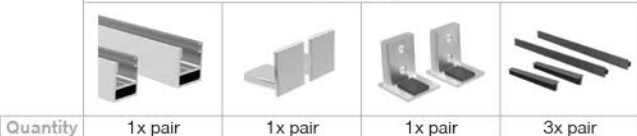
Quality	Finish	Effect	art.	Glass t	L
ALUMINIUM	natural	ELOX	GS/FRB10-100-BK-N-E	10,76-21,52	1000
		ELOX black	GS/FRB10-100-BK-N-EB		
		ELOX	GS/FRB10-110-BK-N-E		
		ELOX black	GS/FRB10-110-BK-N-EB		
	matte	RAL 7021	GS/FRB10-110-BK-R7021	1100	
		RAL 9005	GS/FRB10-110-BK-R9005		
		ELOX	GS/FRB10-120-BK-N-E		1200
		ELOX black	GS/FRB10-120-BK-N-EB		

Quality	Finish	Effect	art.	Glass t	L
ALUMINIUM	natural	ELOX	GS/FRB10-100-ZK-N-E	10,76-21,52	1000
		ELOX black	GS/FRB10-100-ZK-N-EB		
		ELOX	GS/FRB10-110-ZK-N-E		
		ELOX black	GS/FRB10-110-ZK-N-EB		
	matte	RAL 7021	GS/FRB10-110-ZK-R7021	1100	
		RAL 9005	GS/FRB10-110-ZK-R9005		
		ELOX	GS/FRB10-120-ZK-N-E		1200
		ELOX black	GS/FRB10-120-ZK-N-EB		

*new  
new  
new  
new  
new  
new  
new  
new*

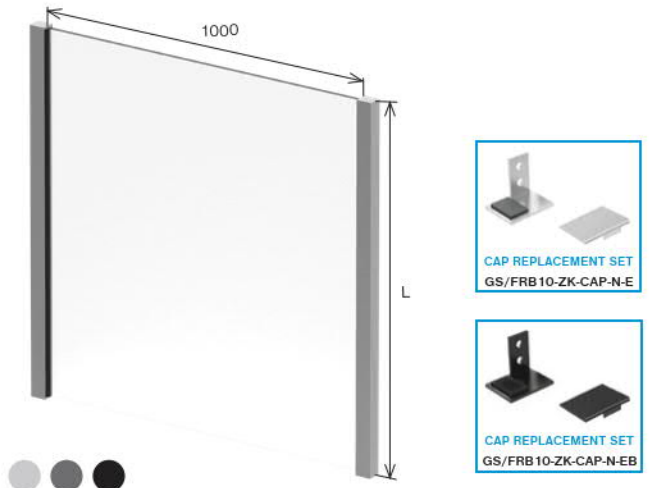
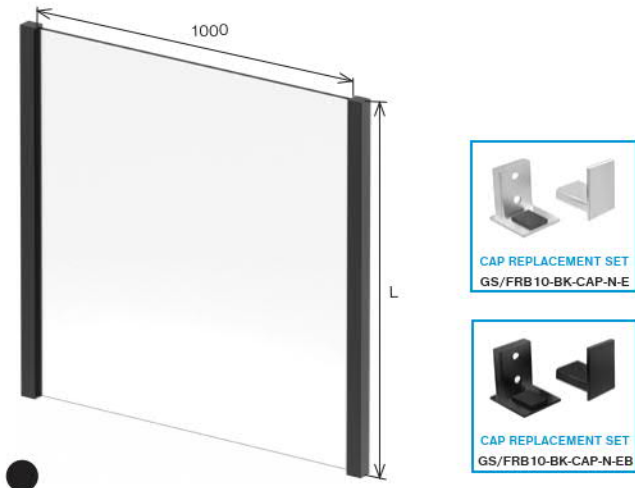
*new  
new  
new  
new  
new  
new  
new  
new*

Accessories



MODEL **FRB10-BK** SET WITH GLASS

MODEL **FRB10-ZK** SET WITH GLASS



Quality	Finish	Effect	art.	Glass t	L
ALUMINIUM	matte	RAL 9005	GS/FRB10-100x100-BK-R9005	12,76	1000
			GS/FRB10-110x100-BK-R9005		1100

Quality	Finish	Effect	art.	Glass t	L
ALUMINIUM	natural	ELOX	GS/FRB10-100x100-ZK-N-E	12,76	1000
	matte	RAL 7021	GS/FRB10-110x100-ZK-R7021		1100
		RAL 9005	GS/FRB10-110x100-ZK-R9005		

*new  
new*

*new  
new  
new*

5

CAP RAILS



**Black ELOX**  
**ALUMINUM**





**ROUND MODELS  
LED**



**SQUARE MODELS**

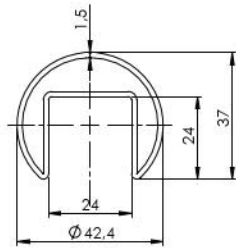


**CAP RAIL RUBBERS**



**CAP RAIL FITTINGS  
END CAPS**

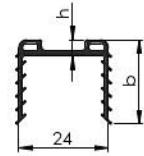
MODEL 42,4x1,5



EPDM - exterior



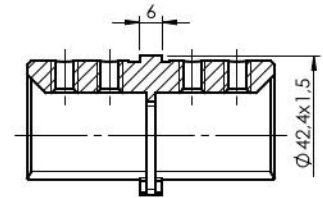
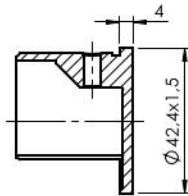
PVC-P - interior



Quality	Finish	art.	L
AISI304	satin	A/6925-042-1250	1250
		A/6925-042	2500
		A/6920-042	5000
		A/6921-042	6000
AISI316	polish	A14/6920-042	5000
		A14/6920-042-L	5000

*top*

Quality	Finish	art.	Glass t	b	h	L
Rubber	black (exterior)	A19/5042-08-2500	8,0-11,0	22	5	2500
		A19/5042-08-5000				5000
		A19/5042-08-6000				6000
		A19/5042-11-2500	10-12,76	25	4,5	2500
		A19/5042-11-5000				5000
		A19/5042-11-6000				6000
		A19/5042-16-2500				2500
		A19/5042-16-5000	16,0-17,5	21,5	4,2	5000
		A19/5042-16-6000				6000
		A19/5042-16-30000				30000
A19/5042-21-2500	20,76-21,52	24	3,5	2500		
A19/5042-21-5000				5000		
A19/5042-21-6000				6000		
Rubber interior	gray (interior)	A19/5042-G-16-2500	16,0-17,5	21,5	4,2	2500
		A19/5042-G-16-5000				5000

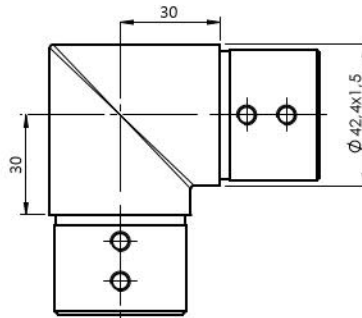


Quality	Finish	art.
AISI304	satin	A/6732-042
AISI316		A14/6732-042

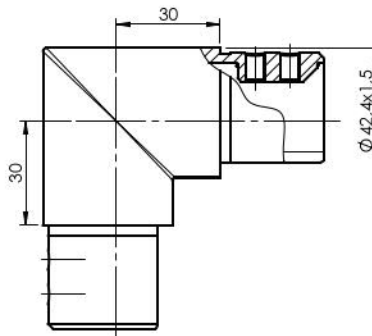
*top*

Quality	Finish	art.
AISI304	satin	A/6790-042
AISI316		A14/6790-042

*top*

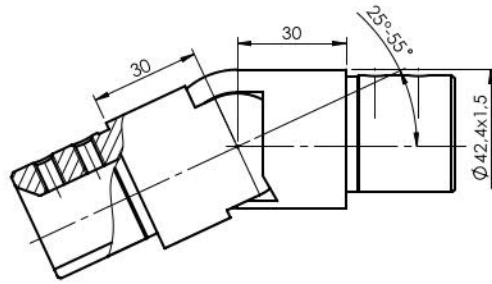


Quality	Finish	art.
AISI304	satin	A/6313-042
AISI316		A14/6313-042

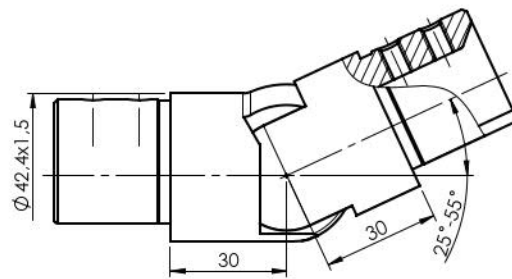


Quality	Finish	art.
AISI316	satin	A14/6303-042

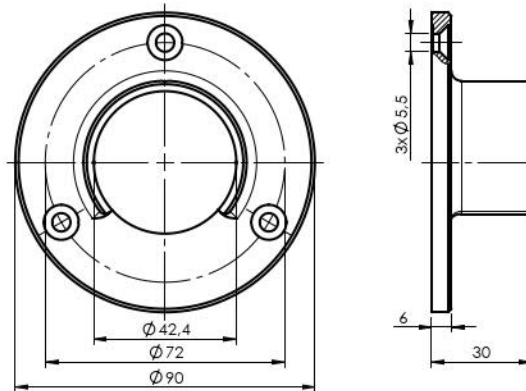
MODEL 42,4x1,5



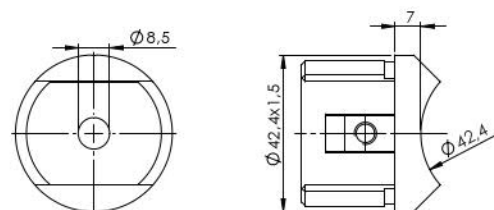
Quality	Finish	art.
AISI304	satin	A/6302-042
AISI316		A14/6302-042



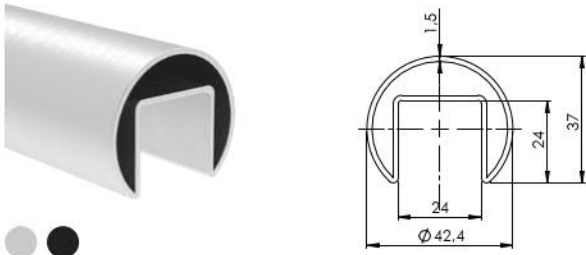
Quality	Finish	art.
AISI304	satin	A/6312-042
AISI316		A14/6312-042



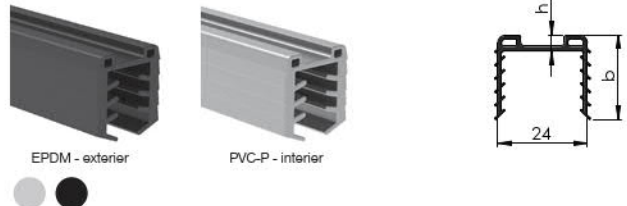
Quality	Finish	art.
AISI316	satin	A14/6505-042



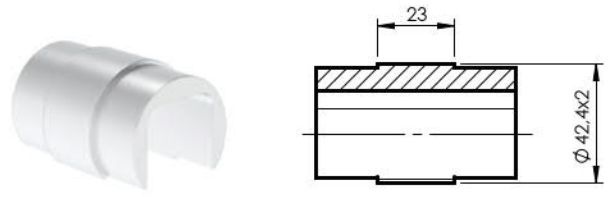
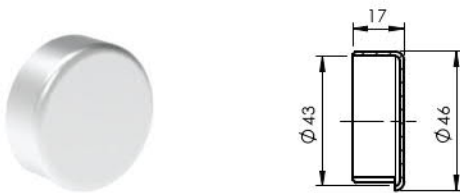
Quality	Finish	art.
AISI316	satin	A14/6727-042



Quality	Finish	Effect	art.	L
ALUMINIUM	satin	ELOX	AL/6925-042-S-E	3000
		ELOX black	AL/6925-042-S-EB	
		ELOX	AL/6920-042-S-E	6000
		ELOX black	AL/6920-042-S-EB	



Quality	Finish	art.	Glass t	b	h	L
Rubber	black (exterior)	A19/5042-08-2500	8,0-11,0	22	5	2500
		A19/5042-08-5000				5000
		A19/5042-08-6000				6000
		A19/5042-11-2500	10-12,76	25	4,5	2500
		A19/5042-11-5000				5000
		A19/5042-11-6000				6000
		A19/5042-16-2500	16,0-17,5	21,5	4,2	2500
		A19/5042-16-5000				5000
		A19/5042-16-6000				6000
		A19/5042-16-30000				30000
		A19/5042-21-2500	20,76-21,52	24	3,5	2500
		A19/5042-21-5000				5000
		A19/5042-21-6000				6000
		Rubber interior	gray (interior)	A19/5042-G-16-2500	16,0-17,5	21,5
		A19/5042-G-16-5000				5000

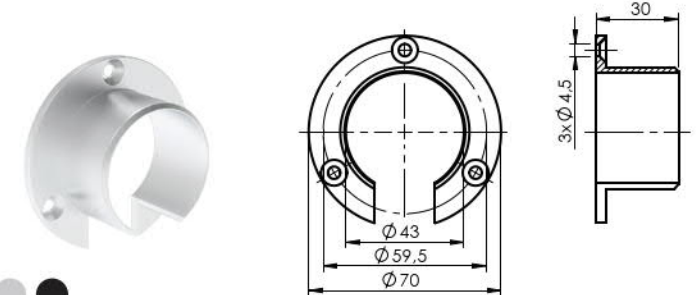
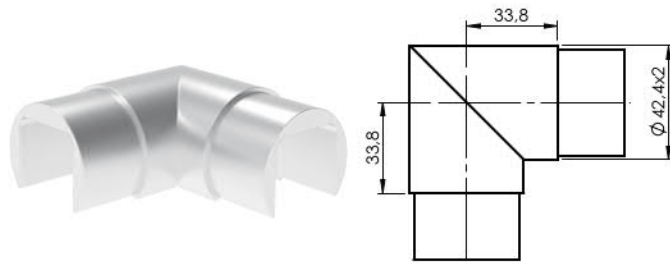


Quality	Finish	Effect	art.
ALUMINIUM	satin	ELOX	AL/6732-042-S-E
		ELOX black	AL/6732-042-S-EB

*new*

Quality	Finish	Effect	art.
ALUMINIUM	satin	ELOX	AL/6790-042-S-E
		ELOX black	AL/6790-042-S-EB

*new*



Quality	Finish	Effect	art.
ALUMINIUM	satin	ELOX	AL/6313-042-S-E
		ELOX black	AL/6313-042-S-EB

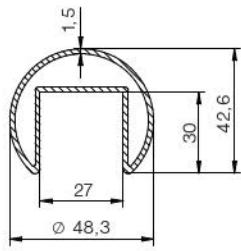
*new*

Quality	Finish	Effect	art.
ALUMINIUM	satin	ELOX	AL/6505-042-S-E
		ELOX black	AL/6505-042-S-EB

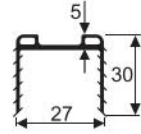
*new*



MODEL 48x1,5

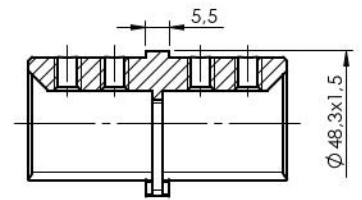
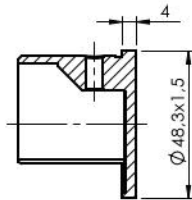


EPDM - exterior



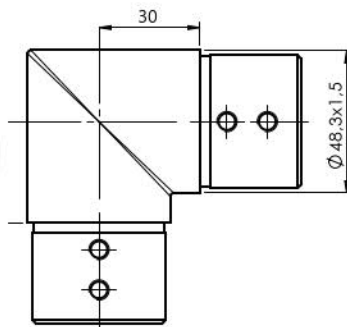
Quality	Finish	art.	L
AISI304	satin	A/6920-048	5000
		A/6925-048	2500
AISI316	satin	A14/6920-048	5000
		A14/6925-048	2500

Quality	Finish	art.	Glass t	L
Rubber	black (exterior)	A19/5048-15-5000	15,0-17,5	5000
		A19/5048-22-2500	20,0-20,5	2500
		A19/5048-26-5000	24,76-25,52	5000

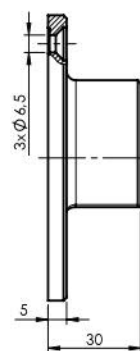
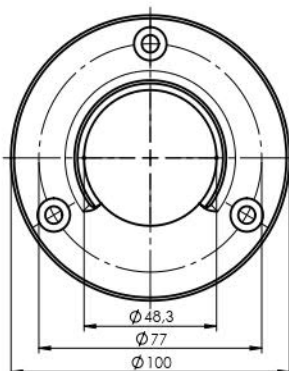


Quality	Finish	art.
AISI304	satin	A/6732-048

Quality	Finish	art.
AISI304	satin	A/6790-048



Quality	Finish	art.
AISI304	satin	A/6313-048

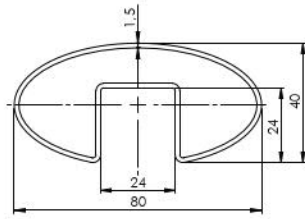


Quality	Finish	art.
AISI304	satin	A/6505-048

5

CAP RAILS

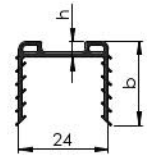
MODEL 80x40x1,5



EPDM - exterior



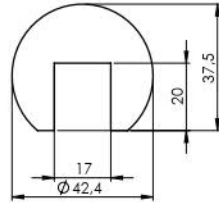
PVC-P - interior



Quality	Finish	art.	L
AISI304	satın	A/6920-080	5000

Quality	Finish	art.	Glass t	b	h	L
Rubber	black (exterior)	A19/5042-08-2500	8,0-11,0	22	5	2500
		A19/5042-08-5000				5000
		A19/5042-08-6000				6000
		A19/5042-11-2500	11,5-13,5	25	4,5	2500
		A19/5042-11-5000				5000
		A19/5042-11-6000				6000
		A19/5042-16-2500	16,0-17,5	21,5	4,2	2500
		A19/5042-16-5000				5000
		A19/5042-16-6000				6000
		A19/5042-16-30000				30000
		A19/5042-21-2500	20,76-21,52	24	3,5	2500
		A19/5042-21-5000				5000
A19/5042-21-6000	6000					
Rubber interior	gray (interior)	A19/5042-G-16-2500	16,0-17,5	21,5	4,2	2500
		A19/5042-G-16-5000				5000

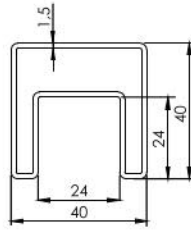
MODEL 42,4



Quality	Finish	art.	L
Beech		WB/6925-042-17	2500
Oak	natural	WD/6925-042-17	
		WD/6925-042-17-CINK	



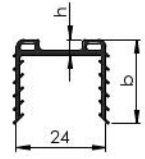
MODEL 40x40x1,5



EPDM - exterior

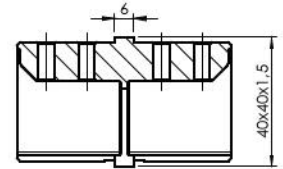
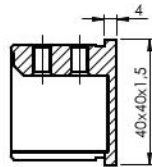


PVC-P - interior



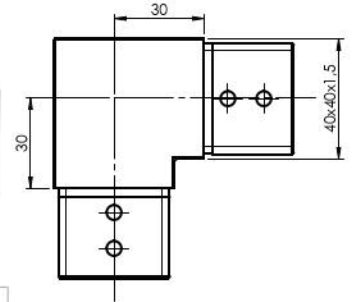
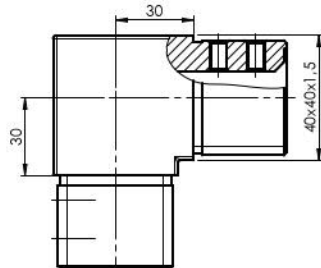
Quality	Finish	art.	L
AISI304	satin	A/6925-040	2500
		A/6920-040	5000
		A/6921-040	6000
AISI316		A14/6920-040	5000

Quality	Finish	art.	Glass t	b	h	L
Rubber	black (exterior)	A19/5042-08-2500	8,0-11,0	22	5	2500
		A19/5042-08-5000				5000
		A19/5042-08-6000				6000
		A19/5042-11-2500	11,5-13,5	25	4,5	2500
		A19/5042-11-5000				5000
		A19/5042-11-6000				6000
		A19/5042-16-2500	16,0-17,5	21,5	4,2	2500
		A19/5042-16-5000				5000
		A19/5042-16-6000				6000
		A19/5042-16-30000				30000
		A19/5042-21-2500	20,76-21,52	24	3,5	2500
		A19/5042-21-5000				5000
A19/5042-21-6000	6000					
Rubber interior	gray (interior)	A19/5042-G-16-2500	16,0-17,5	21,5	4,2	2500
		A19/5042-G-16-5000				5000



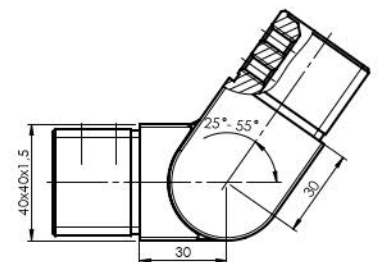
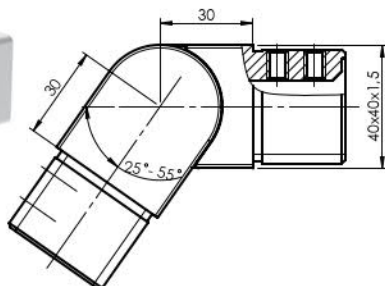
Quality	Finish	art.
AISI304	satin	A/6732-040
AISI316		A14/6732-040

Quality	Finish	art.
AISI304	satin	A/6790-040
AISI316		A14/6790-040



Material	Finish	art.
AISI316	satin	A14/6303-040

Quality	Finish	art.
AISI304	satin	A/6313-040
AISI316		A14/6313-040

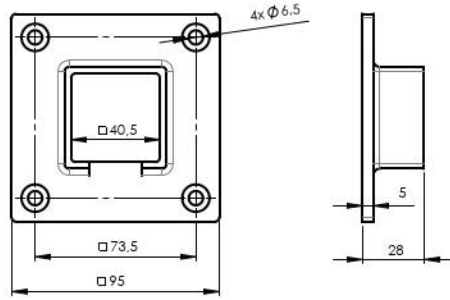


Material	Finish	art.
AISI316	satin	A14/6302-040

Material	Finish	art.
AISI316	satin	A14/6312-040

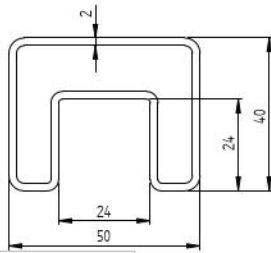


MODEL 40x40x1,5



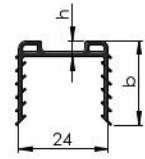
Quality	Finish	art.
AISI316	satın	A14/6505-040

MODEL 50x40x2/AL



Quality	Finish	Effect	art.	L
ALUMINIUM	satın	ELOX	AL/6925-540-S-E	3000
			AL/6920-540-S-E	6000
		ELOX black	AL/6925-540-S-EB	3000
			AL/6920-540-S-EB	6000

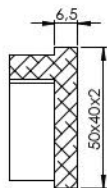
**Black ELOX**  
ALUMINIUM



EPDM - exterior

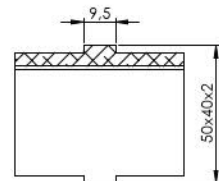
PVC-P - interior

Quality	Finish	art.	Glass t	b	h	L
Rubber	black (exterior)	A19/5042-08-2500	8,0-11,0	22	5	2500
		A19/5042-08-5000				5000
		A19/5042-08-6000				6000
		A19/5042-11-2500	11,5-13,5	25	4,5	2500
		A19/5042-11-5000				5000
		A19/5042-11-6000				6000
		A19/5042-16-2500	16,0-17,5	21,5	4,2	2500
		A19/5042-16-5000				5000
		A19/5042-16-6000				6000
		A19/5042-16-30000				30000
		A19/5042-21-2500	20,76-21,52	24	3,5	2500
		A19/5042-21-5000				5000
A19/5042-21-6000	6000					
A19/5042-21-6000	6000					
Rubber interior	gray (interior)	A19/5042-G-16-2500	16,0-17,5	21,5	4,2	2500
		A19/5042-G-16-5000				5000



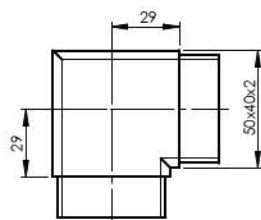
Quality	Finish	Effect	art.	☑
ALUMINIUM	satın	ELOX	AL/6732-540-S-E	50x40x2
		ELOX black	AL/6732-540-S-EB	

*new*



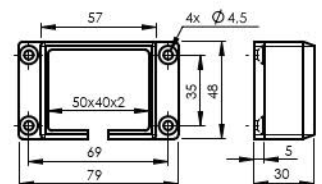
Quality	Finish	Effect	art.	☑
ALUMINIUM	satın	ELOX	AL/6790-540-S-E	50x40x2
		ELOX black	AL/6790-540-S-EB	

*new*



Quality	Finish	Effect	art.	☑
ALUMINIUM	satın	ELOX	AL/6313-540-S-E	50x40x2
		ELOX black	AL/6313-540-S-EB	

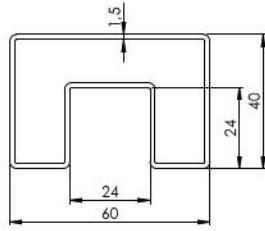
*new*



Quality	Finish	Effect	art.	☑
ALUMINIUM	satın	ELOX	AL/6505-540-S-E	50x40x2
		ELOX black	AL/6505-540-S-EB	

*new*

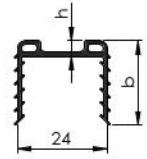
MODEL 60x40x1,5



EPDM - exterior

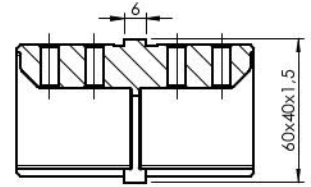
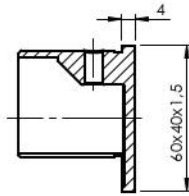


PVC-P - interior



Quality	Finish	art.	L
AISI304	satin	A/6920-640	5000
		A/6925-640	2500
AISI316	satin	A14/6920-640	5000
		A14/6925-640	2500

Quality	Finish	art.	Glass t	b	h	L
Rubber	black (exterior)	A19/5042-08-2500	8,0-11,0	22	5	2500
		A19/5042-08-5000				5000
		A19/5042-08-6000				6000
		A19/5042-11-2500	11,5-13,5	25	4,5	2500
		A19/5042-11-5000				5000
		A19/5042-11-6000				6000
		A19/5042-16-2500	16,0-17,5	21,5	4,2	2500
		A19/5042-16-5000				5000
		A19/5042-16-6000				6000
		A19/5042-16-30000				30000
		A19/5042-21-2500	20,76-21,52	24	3,5	2500
		A19/5042-21-5000				5000
A19/5042-21-6000	6000					
Rubber interior	gray (interior)	A19/5042-G-16-2500	16,0-17,5	21,5	4,2	2500
		A19/5042-G-16-5000				5000

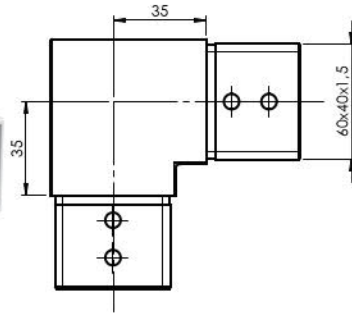


Quality	Finish	art.
AISI316	satin	A14/6732-640

Quality	Finish	art.
AISI316	satin	A14/6790-640

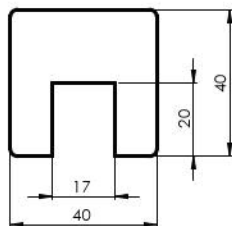
5

CAP RAILS



Quality	Finish	art.
AISI316	satin	A14/6313-640

MODEL 40x40/WOOD

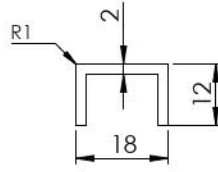


Quality	Finish	art.	L
Beech	natural	WB/6925-040-17	2500
Oak		WD/6925-040-17	

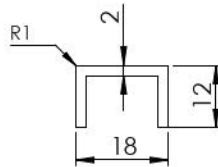
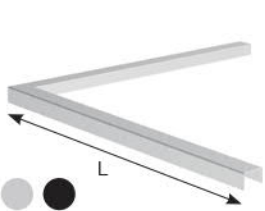
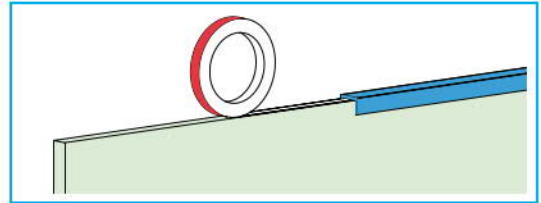


MODEL 18x12x2

**Black ELOX**  
ALUMINIUM



Material	Finish	Effect	art.	L	glass t
ALUMINIUM	satin	ELOX	AL/6901-014-3000-S-E	3000	
			AL/6901-014-6000-S-E	6000	12-13,52
		ELOX black	AL/6901-014-6000-S-EB		



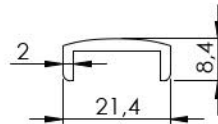
Material	Finish	Effect	art.	L	glass t
ALUMINIUM	satin	ELOX	AL/6901-014-G90-S-E	200	12-13,52
		ELOX black	AL/6901-014-G90-S-EB		

*new*

5

CAP RAILS

MODEL 22x9x2

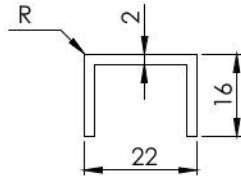


Material	Finish	Effect	art.	L	glass t
ALUMINIUM	satin	ELOX	AL/6901-017-3000-S-E	3000	16,76
			AL/6901-017-6000-S-E	6000	



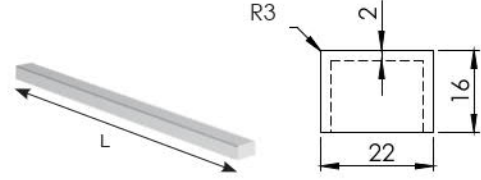
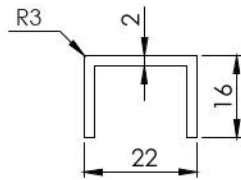
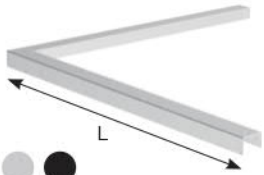
MODEL 22x16x2

**Black ELOX**  
ALUMINIUM



Material	Finish	Effect	art.	L	glass t	R
AISI304	satin	-	A/6901-018-2500	2500	16-17,52	3
			A/6901-018-5000	5000		
			A/6901-A-018-2500	2500		
			A/6901-A-018-5000	5000		
ALUMINIUM	ELOX	ELOX	AL/6901-018-3000-S-E	3000	1	1
		ELOX	AL/6901-018-6000-S-E	6000		
		black	AL/6901-018-6000-S-EB	6000		

*top*



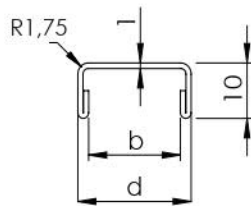
Material	Finish	Effect	art.	L	glass t
AISI304	satin	-	A/6901-018-G90	200	16-17,52
ALUMINIUM		ELOX	AL/6901-018-G90-S-E		
		ELOX black	AL/6901-018-G90-S-EB		

*new*

Material	Finish	art.	L	glass t
AISI304	satin	A/6901-018-CAP	200	16-17,52

*new*

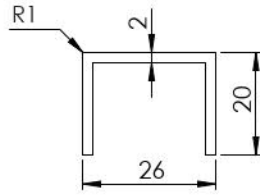
MODEL dx10x1



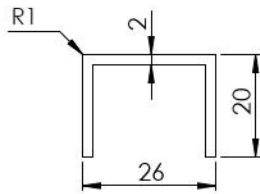
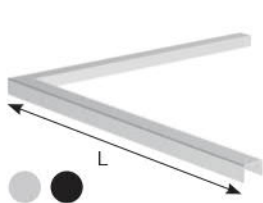
Material	Finish	art.	L	b	d	glass t
AISI304	satin	A/6902-014-2500	2500	13,5	17,5	13,52
		A/6902-018-2500		17,5	21,5	17,52
		A/6902-022-2500		21,5	25,5	21,52
		A/6902-014-5000	5000	13,5	17,5	13,52
		A/6902-018-5000		17,5	21,5	17,52
		A/6902-022-5000		21,5	25,5	21,52

MODEL 26x20x2

**Black ELOX**  
ALUMINIUM



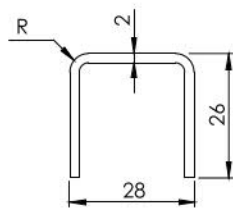
Material	Finish	Effect	art.	L	glass t
ALUMINIUM	satin	ELOX	AL/6901-022-3000-S-E	3000	20-21,52
			AL/6901-022-6000-S-E	6000	
		ELOX black	AL/6901-022-6000-S-EB		



Material	Finish	Effect	art.	L	glass t
ALUMINIUM	satin	ELOX	AL/6901-022-G90-S-E	200	20-21,52
		ELOX black	AL/6901-022-G90-S-EB		

*new*

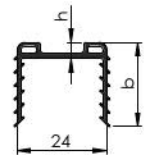
MODEL 28x26x2



EPDM - exterior

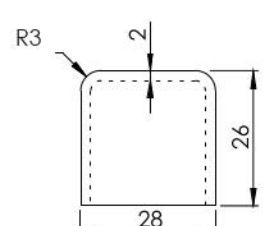
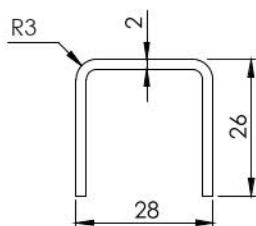


PVC-P - interior



Quality	Finish	art.	L	glass t	R
AISI304	satin	A/6900-024-2500	2500	8-24	3
		A/6900-024-2500-EXCLUSIVE			3,5
		A/6900-A-024-2500			5
		A/6900-024-5000	5000		3
		A/6900-024-5000-EXCLUSIVE			3,5
		A/6900-A-024-5000			5

Quality	Finish	art.	Glass t	b	h	L			
Rubber	black (exterior)	A19/5042-08-2500	8,0-11,0	22	5	2500			
		A19/5042-08-5000				5000			
		A19/5042-08-6000				6000			
		A19/5042-11-2500	11,5-13,5	25	4,5	2500			
		A19/5042-11-5000				5000			
		A19/5042-11-6000				6000			
		A19/5042-16-2500				16,0-17,5	21,5	4,2	5000
		A19/5042-16-5000							6000
		A19/5042-16-6000							6000
		A19/5042-16-30000	20,76-21,52	24	3,5	30000			
		A19/5042-21-2500				2500			
		A19/5042-21-5000				5000			
Rubber interior	gray (interior)	A19/5042-21-6000	16,0-17,5	21,5	4,2	6000			
		A19/5042-G-16-2500				2500			
		A19/5042-G-16-5000				5000			



Material	Finish	art.	L	glass t	R
AISI304	satin	A/6900-024-G90	200	8-24	3

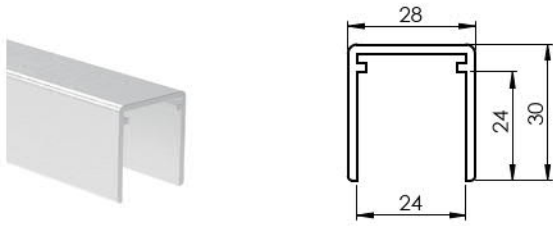
*new*

Material	Finish	art.	L	glass t
AISI304	satin	A/6900-024-CAP	200	8-24

5

CAP RAILS

MODEL 28x30x2



Material	Finish	Effect	art.	L	glass t
ALUMINIUM	satin	ELOX	AL/6902-024-3000-S-E	3000	8-21,52
			AL/6902-024-6000-S-E	6000	

*new*



Quality	Finish	art.	Glass t	b	h	L
Rubber	black (exterior)	A19/5042-08-2500	8,0-11,0	22	5	2500
		A19/5042-08-5000				5000
		A19/5042-08-6000				6000
		A19/5042-11-2500	11,5-13,5	25	4,5	2500
		A19/5042-11-5000				5000
		A19/5042-11-6000				6000
		A19/5042-16-2500	16,0-17,5	21,5	4,2	2500
		A19/5042-16-5000				5000
		A19/5042-16-6000				6000
		A19/5042-16-30000	20,76-21,52	24	3,5	30000
		A19/5042-21-2500				2500
A19/5042-21-5000	5000					
Rubber interier	gray (interier)	A19/5042-21-6000	16,0-17,5	21,5	4,2	6000
		A19/5042-G-16-2500				2500
		A19/5042-G-16-5000				5000



Material	Finish	art.	compatibility
AISI304	satin	A/6902-024-G90	AL/6902-024...

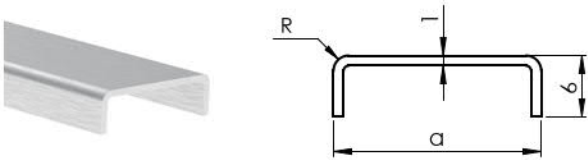
*new*



Material	Finish	art.	compatibility
AISI304	satin	A/6902-024-G00	AL/6902-024...

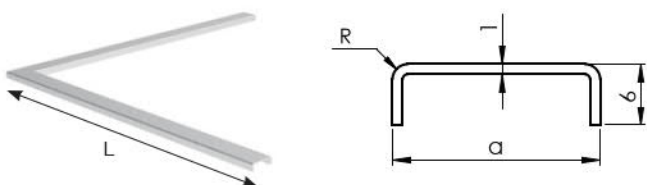
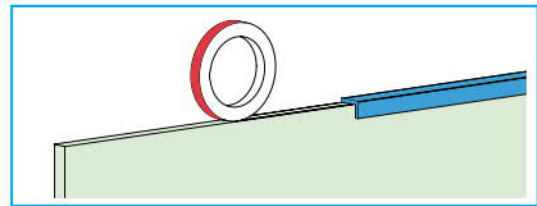
*new*

MODEL ax6x1



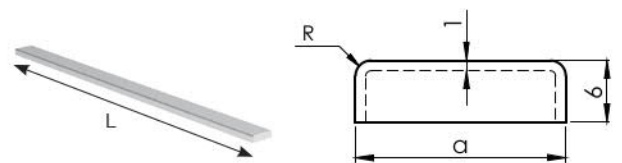
Material	Finish	art.	L	a	glass t	R
AISI304	satin	A/6903-014-6000	6000	16,5	12-13,52	1,75
		A/6903-018-6000		20,5	16-17,52	
		A/6903-022-6000		24,5	20-21,52	2
		A/6903-025-6000		28,5	24,76-25,52	

*new*



Material	Finish	art.	L	a	glass t	R
AISI304	satin	A/6903-014-G90	200	16,5	12-13,52	1,75
		A/6903-018-G90		20,5	16-17,52	
		A/6903-022-G90		24,5	20-21,52	2
		A/6903-025-G90		28,5	24,76-25,52	

*new*



Material	Finish	art.	L	a	glass t	R
AISI304	satin	A/6903-014-CAP	200	16,5	12-13,52	1,75
		A/6903-018-CAP		20,5	16-17,52	
		A/6903-022-CAP		24,5	20-21,52	2
		A/6903-025-CAP		28,5	24,76-25,52	

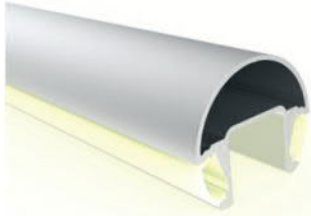
*new*

6

LED  
HANDRAILS







**LED HANDRAILS -  
ROUND**



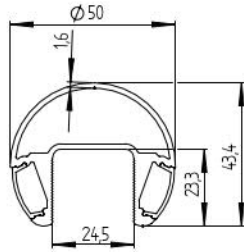
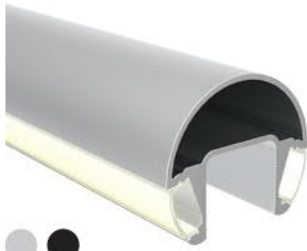
**LED HANDRAIL SETS -  
ROUND**



**LED HANDRAIL SETS -  
SQUARE**

MODEL 50/AL/LED

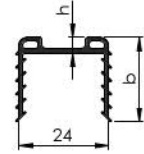
**Black ELOX**  
ALUMINIUM



EPDM - exterior

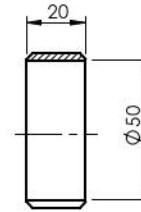
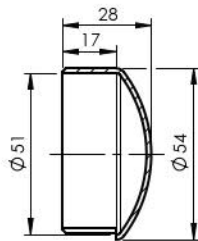


PVC-P - interior



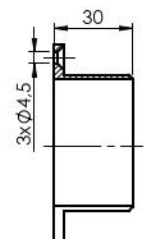
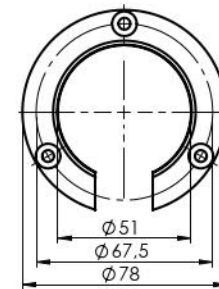
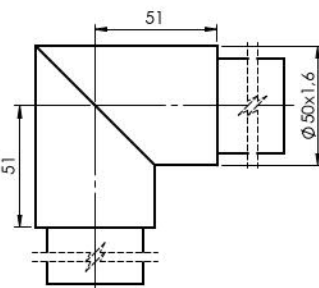
Quality	Finish	Effect	art.	L	
ALUMINIUM	satin	ELOX	AL/6920-050-LED-S-E	6000	✓
		ELOX black	AL/6920-050-LED-S-EB		

Quality	Finish	art.	Glass t	b	h	L
Rubber	black (exterior)	A19/5042-08-2500	8,0-11,0	22	5	2500
		A19/5042-08-5000				5000
		A19/5042-08-6000				6000
		A19/5042-11-2500	11,5-13,5	25	4,5	2500
		A19/5042-11-5000				5000
		A19/5042-11-6000				6000
		A19/5042-16-2500	16,0-17,5	21,5	4,2	2500
		A19/5042-16-5000				5000
		A19/5042-16-6000				6000
		A19/5042-16-30000				30000
		A19/5042-21-2500	20,76-21,52	24	3,5	2500
		A19/5042-21-5000				5000
A19/5042-21-6000	6000					
Rubber interior	gray (interior)	A19/5042-G-16-2500	16,0-17,5	21,5	4,2	2500
		A19/5042-G-16-5000				5000









Quality	Finish	Effect	art.
ALUMINIUM	satin	ELOX	AL/6732-050-LED-S-E
		ELOX black	AL/6732-050-LED-S-EB <i>new</i>

Quality	Finish	Effect	art.
ALUMINIUM	satin	ELOX	AL/6790-050-LED-S-E
		ELOX black	AL/6790-050-LED-S-EB <i>new</i>



Quality	Finish	Effect	art.
ALUMINIUM	satin	ELOX	AL/6313-050-LED-S-E
		ELOX black	AL/6313-050-LED-S-EB <i>new</i>

Quality	Finish	Effect	art.
ALUMINIUM	satin	ELOX	AL/6505-050-LED-S-E
		ELOX black	AL/6505-050-LED-S-EB <i>new</i>

	    							
	Quality	Finish	Ø	art.	A/6925-042	LED/24x24-24V	YEM/2x0,75-SET	A14/4114-042-LED
AISI304	satín	42,4x1,5	A/6920-042-iLED-2500	1x (2500mm)	1x (2500mm)	1x	3x	2x



Quality	Finish	Color	art.	L	a x b	IP	Lumen	Power	Voltage	
PVC + SILICONE	white	5000K	LED/24x24-24V	25m	24 x 24	IP40/IP65*	120lm/m	8W/m	24VDC	✓

art.	L(m)
YEM/2x0,75-SET	0,75

\* IP65 using silicone end



art.	t	b	L
Q9/03-0,2x9	0,2	9	50
Q9/03-0,5x9	0,5	9	33

art.	g
A/GLUE-50g-C	50 <i>top</i>

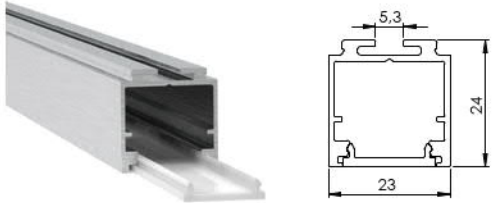


MODEL ROUND

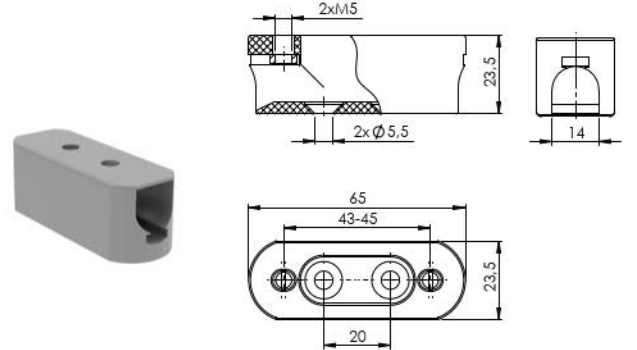
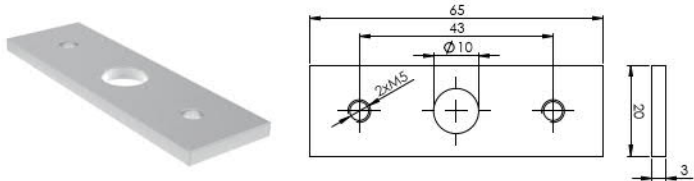
	Quality	Finish	Ø	art.	A/6920-042	AL/23x24-5000-LED-SET	A14/PD-LED-23x24	A14/0112-000-LED-B	A/0112-000	A/6732-042
	<b>AISI304</b>	<b>satın</b>	42,4x1,5	<b>A/6920-042-LED-5000-S1</b>	1x (5000mm)	1x (5000mm)	5x	1x	4x	2x

+

art.	A-DIN 7380-A2 M5x12	A-DRILL-M5	A/GLUE-20g
Quantity	20x	1x	1x



Material	Effect	art.	L
ALUMINIUM	natural	AL/23x24-5000-LED-SET	5000

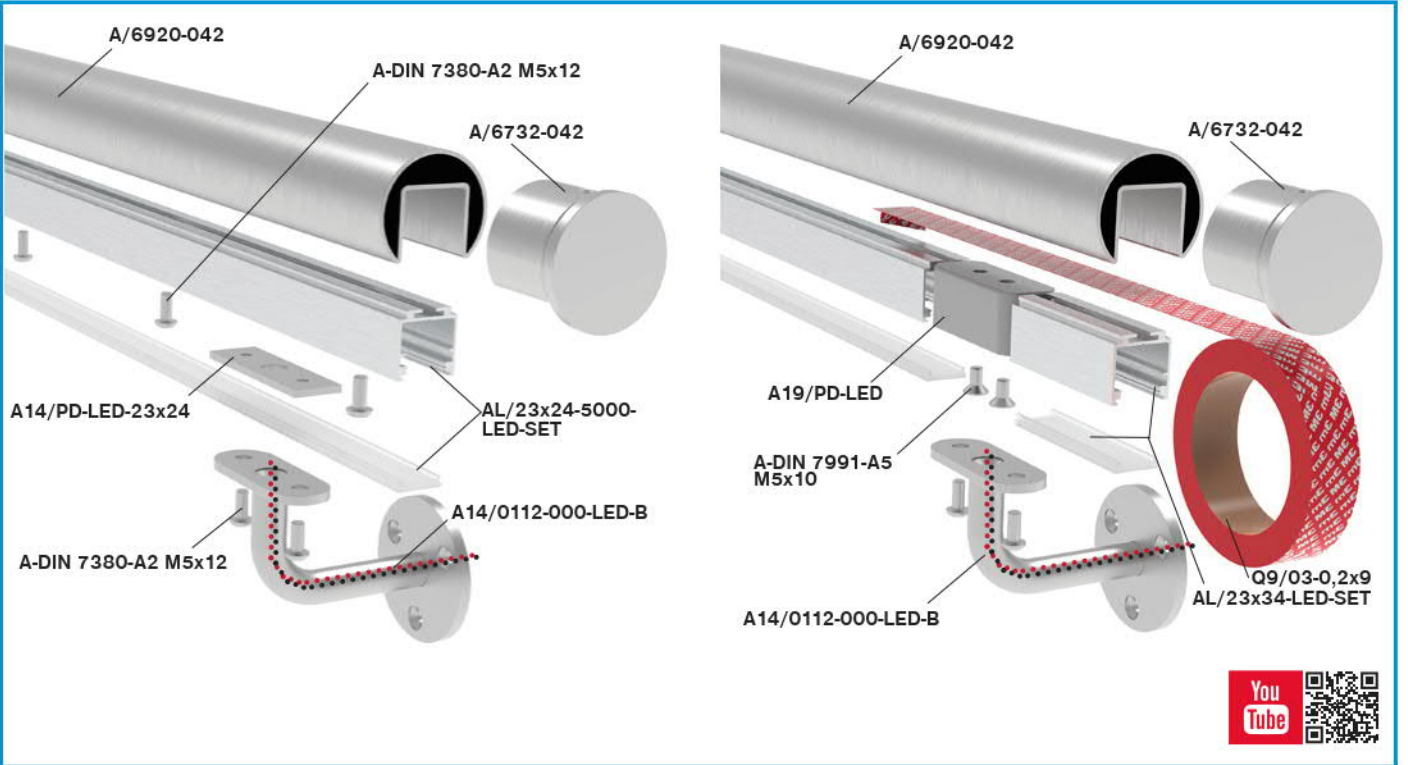


Material	Effect	art.
<b>AISI316</b>	natural	A14/PD-LED-23x24

Quality	Finish	art.
PVC	Black	A19/PD-LED

6

LED HANDRAILS

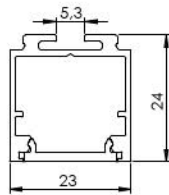


MODEL SQUARE

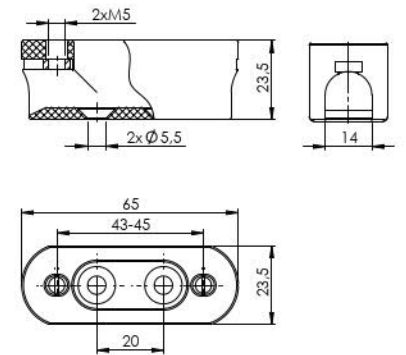
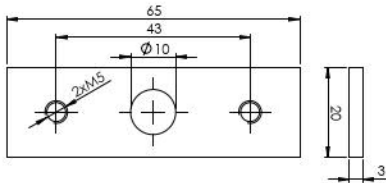
	Quality	Finish	phi SQ	art.	A/6920-040	AL/23x24-5000-LED-SET	A14/PD-LED-23x24	A/4111-000-LED	A/4732-040
	<b>AISI304</b>	<b>satın</b>	40x40	<b>A/6920-040-LED-5000-S1</b>	1x (5000mm)	1x (5000mm)	5x	5x	2x

+

	art.	A-DIN 7380-A2 M5x12	A-DRILL-M5	A/GLUE-20g
Quantity	20x	1x	1x	



Material	Effect	art.	L
ALUMINIUM	natural	AL/23x24-5000-LED-SET	5000

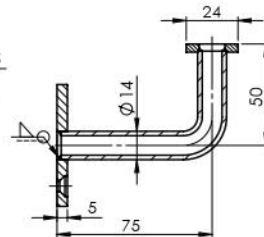
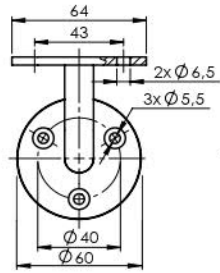


Material	Effect	art.
<b>AISI316</b>	natural	A14/PD-LED-23x24

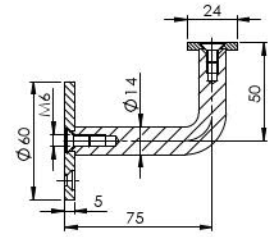
Quality	Finish	art.
PVC	Black	A19/PD-LED



A14/0112-000-LED-B

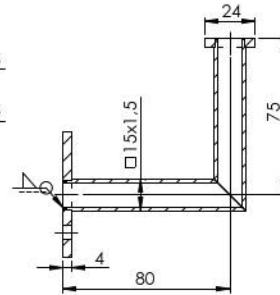
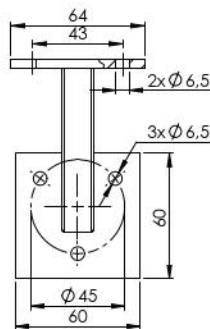


A14/0112-000-LED-B



...0112-000

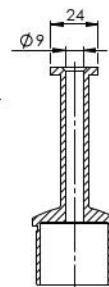
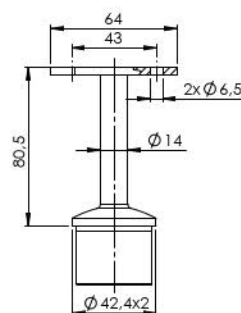
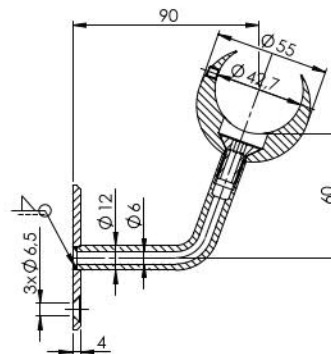
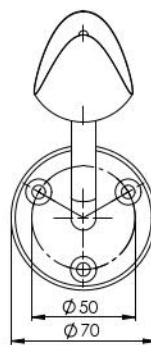
Quality	Finish	art.
AISI316		A14/0112-000-LED-B
AISI304	satin	A/0112-000
AISI316		A14/0112-000



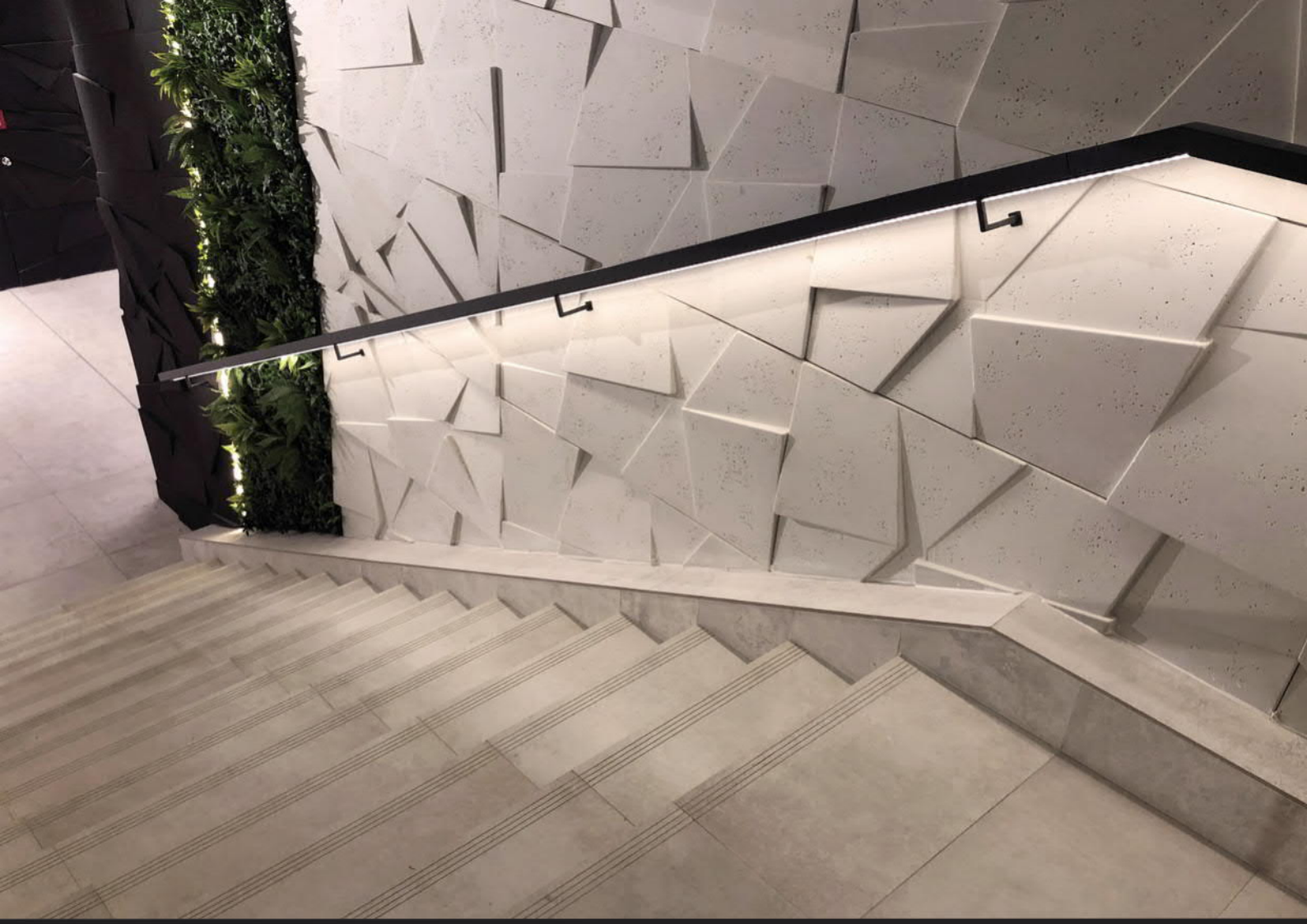
Quality	Finish	art.
AISI304	satin	A/4111-000-LED



Quality	Finish	art.
AISI316	satin	A14/4114-042-LED

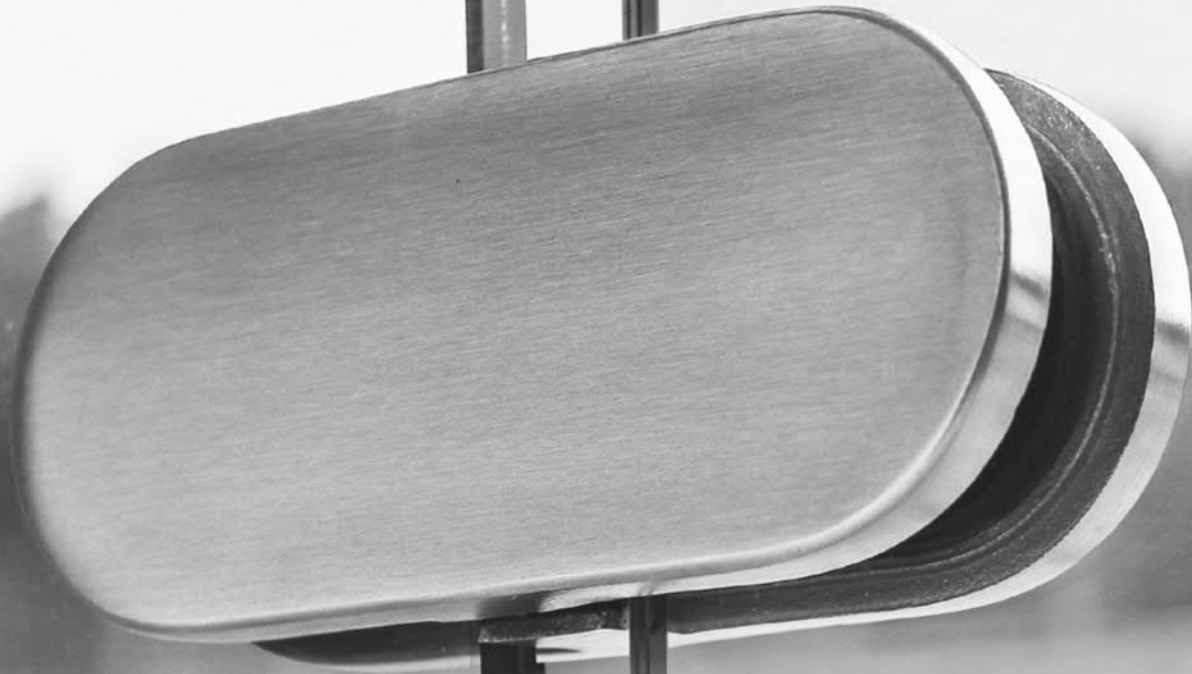


Quality	Finish	art.
AISI304	satin	A/0710-242-LED



7

GLASS CONNECTORS  
HANDRAIL HOLDERS  
FOR GLASS







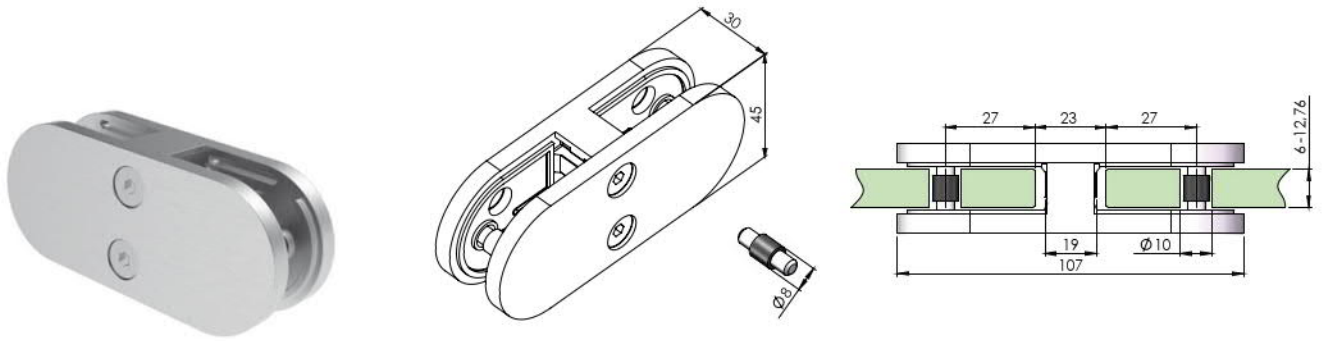
**GLASS CONNECTORS  
ROUND MODELS**




**GLASS CONNECTORS  
SQUARE MODELS**

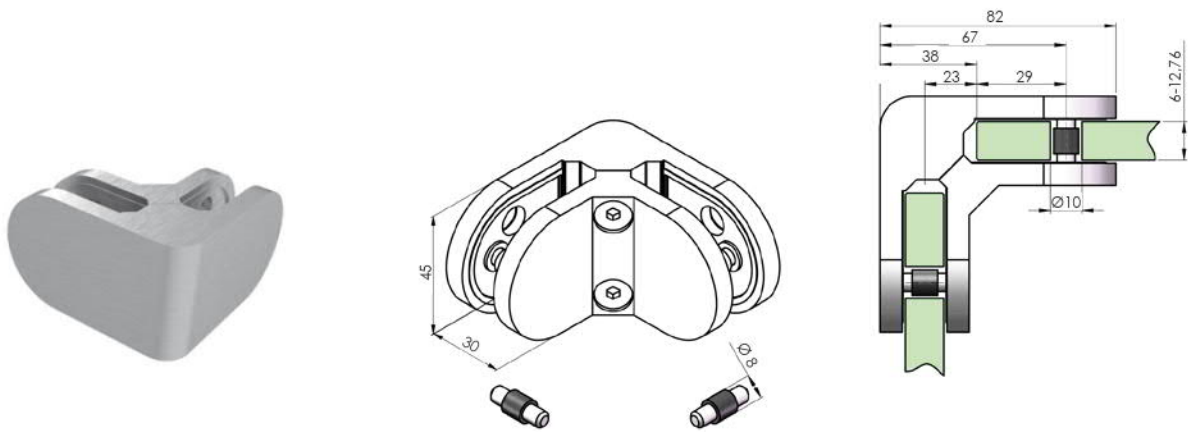


**HANDRAIL HOLDERS  
FOR GLASS**




Quality	Finish	art.			Test
AISI316	satın	A14/2500-700	1x	A19/04-PVC	<b>GAMIN</b>

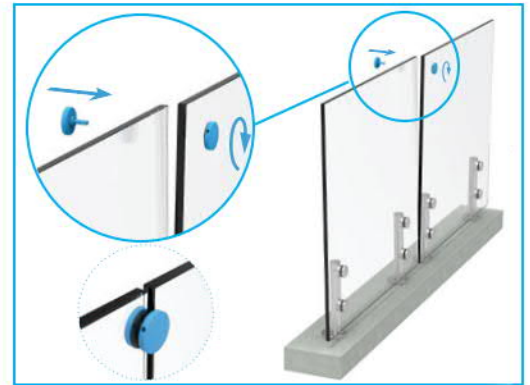
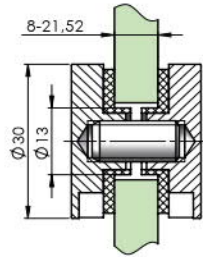
	glass t						
	6	8	8,76	10	10,76	12	12,76
	A19/25-006	A19/25-008	A19/25-009	A19/25-010	A19/25-011	A19/25-012	A19/25-013



Quality	Finish	art.			Test
AISI316	satın	A14/2500-900	1x	A19/04-PVC	<b>GAMIN</b>

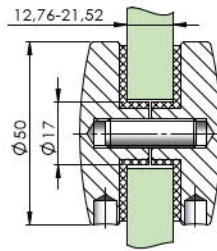
	glass t						
	6	8	8,76	10	10,76	12	12,76
	A19/25-006	A19/25-008	A19/25-009	A19/25-010	A19/25-011	A19/25-012	A19/25-013

MODEL 0746



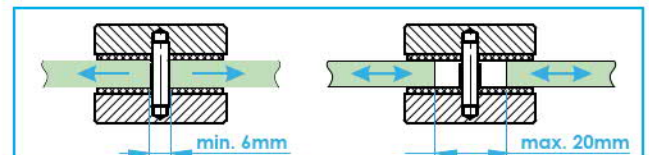
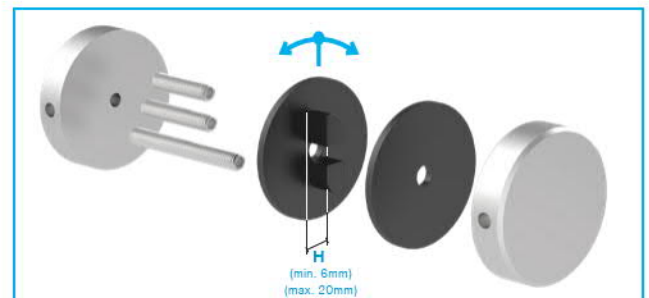
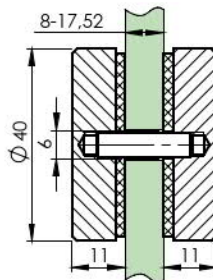
Quality	Finish	art.	glass hole	included	glass t
AISI304	satın	A/0746-SET	15	A-DIN 913-A2 M8x16 A-DIN 913-A2 M8x20 A-DIN 913-A2 M8x25 A-DIN 913-A2 M8x30	8-8,76 10-12,76 13,52-17,52 20,76-21,52

MODEL 0747



Quality	Finish	art.	glass hole
AISI304	satın	A/0747-S-SET	20

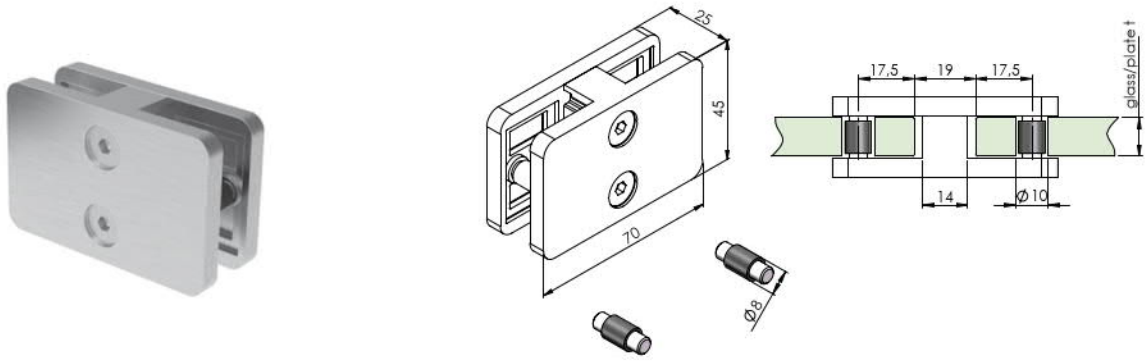
MODEL 0742




Quality	Finish	art.	included	glass t
AISI304	satın	A/0742-SET	M5X20 (INCLUDED) M5X25 (INCLUDED) M5X30 (INCLUDED)	8-8,76 10-12,76 13,52-17,52

*new*


MODEL 230P

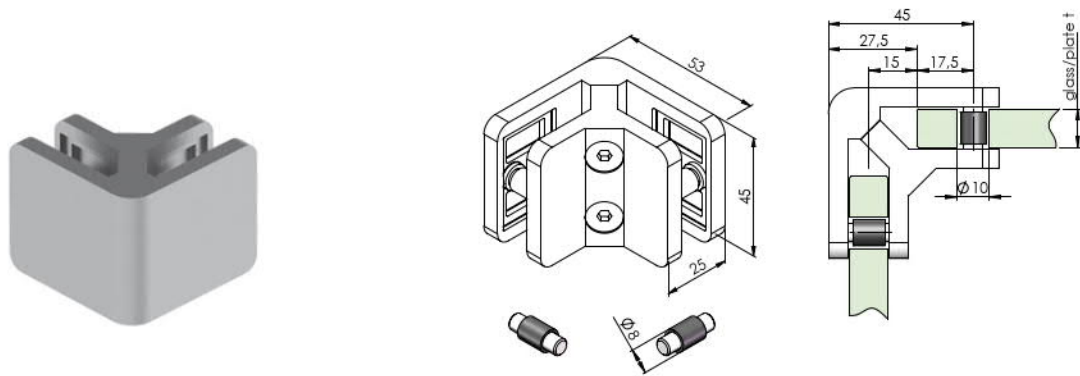


Quality	Finish	art.			Test
AISI316	satın	A14/230P-700	1x	A19/04-PVC	<b>GAMIN</b>


	glass t							
	6	6,76	8	8,76	10	10,76	12	12,76
	A19/23-P06/K08	A19/23-P07/K09	A19/23-P08/K10	A19/23-P09/K11	A19/23-P10/K12	A19/23-P11/K13	A19/23-P12	A19/23-P13


	plate t				
	1,5	2	3	4	5
	A19/23-P1,5/K3,5	A19/23-P02/K04	A19/23-P03/K05	A19/23-P04/K06	A19/23-P05/K07



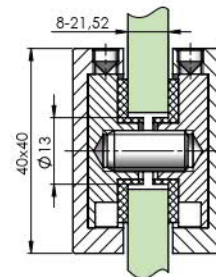
Quality	Finish	art.			Test
AISI316	satın	A14/230P-900	1x	A19/04-PVC	<b>GAMIN</b>

	glass t							
	6	6,76	8	8,76	10	10,76	12	12,76
	A19/23-P06/K08	A19/23-P07/K09	A19/23-P08/K10	A19/23-P09/K11	A19/23-P10/K12	A19/23-P11/K13	A19/23-P12	A19/23-P13

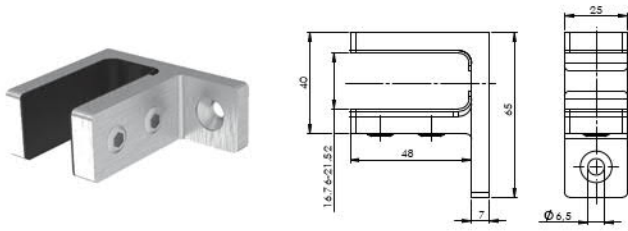
  

	plate t				
	1,5	2	3	4	5
	A19/23-P1,5/K3,5	A19/23-P02/K04	A19/23-P03/K05	A19/23-P04/K06	A19/23-P05/K07

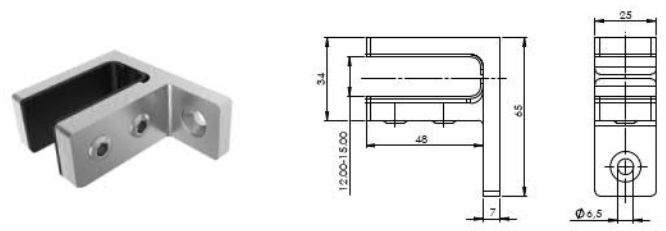
MODEL 0745



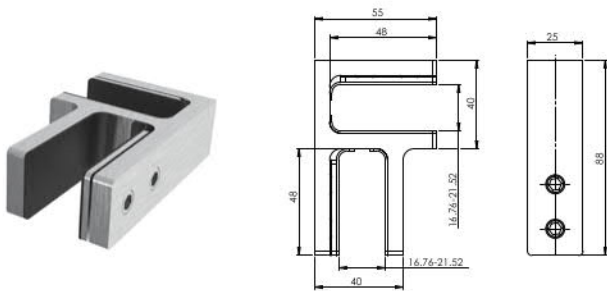
Quality	Finish	art.	glass hole	included 	glass t
AISI304	satın	A/0745-SET	15	A-DIN 913-A2 M8x16 A-DIN 913-A2 M8x20 A-DIN 913-A2 M8x25 A-DIN 913-A2 M8x30	8-8,76 10-12,76 13,52-17,52 20,76-21,52



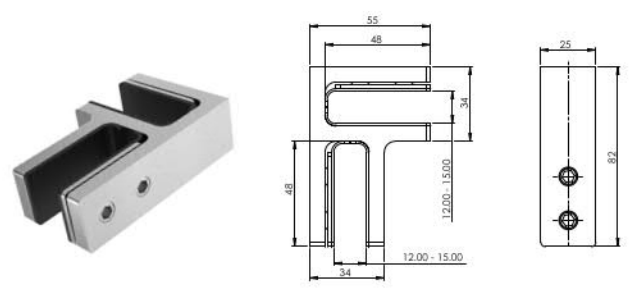
Quality	Finish	art.	glass t
AISI316	satın	A14/0771-000	16,76 - 21,52



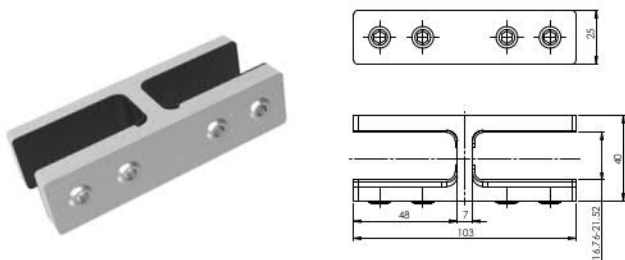
Quality	Finish	art.	glass t
AISI316	satın	A14/0771-015	12 - 15



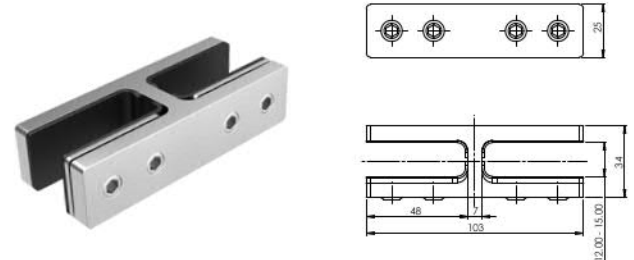
Quality	Finish	art.	glass t
AISI316	satın	A14/0773-000	16,76 - 21,52



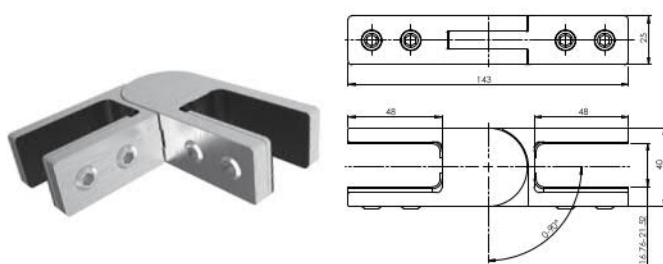
Quality	Finish	art.	glass t
AISI316	satın	A14/0773-015	12 - 15



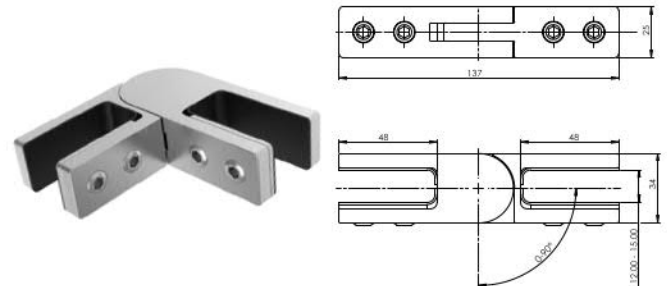
Quality	Finish	art.	glass t
AISI316	satın	A14/0772-000	16,76 - 21,52



Quality	Finish	art.	glass t
AISI316	satın	A14/0772-015	12 - 15

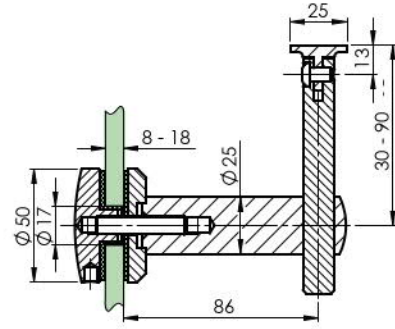
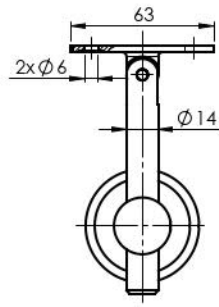


Quality	Finish	art.	glass t
AISI316	satın	A14/0774-000	16,76 - 21,52

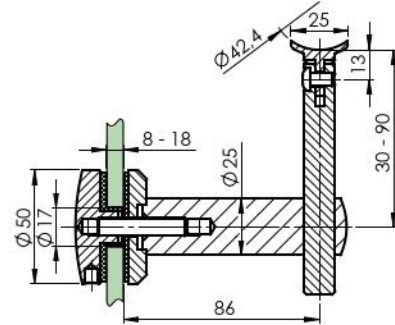
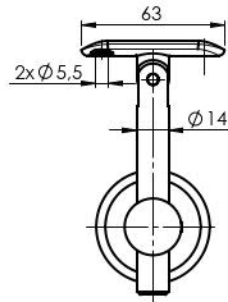


Quality	Finish	art.	glass t
AISI316	satın	A14/0774-015	12 - 15

MODEL FLEX

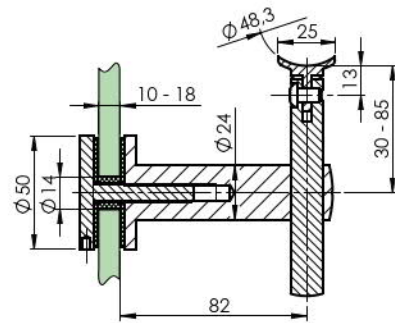
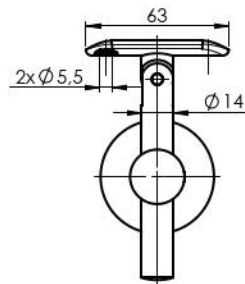


Quality	Finish	art.	Glass hole
AISI304	satın	A/0155-000	20

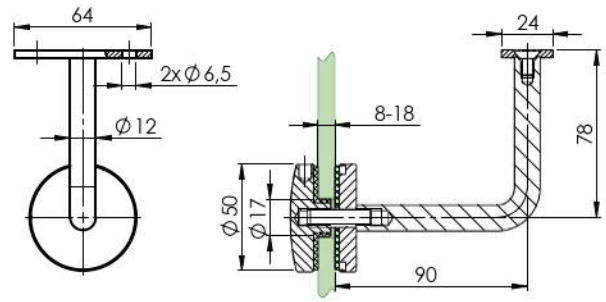


Quality	Finish	art.	Glass hole
AISI304	satın	A/0155-042-B	20
AISI316		A14/0155-042	

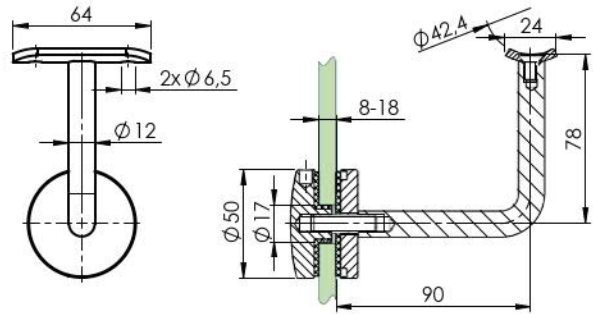
*top*



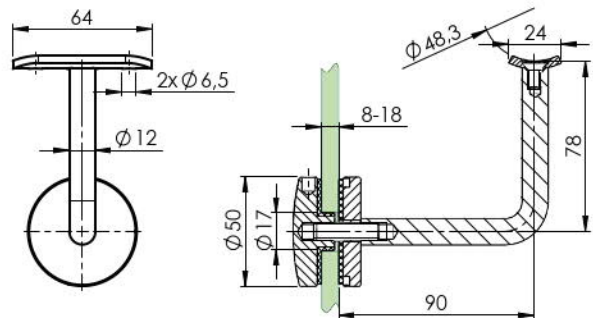
Quality	Finish	art.	Glass hole
AISI316	satın	A14/0155-048	20



Quality	Finish	art.	Glass hole
AISI304	satın	A/0156-000	20



Quality	Finish	art.	Glass hole
AISI304	satın	A/0156-042	20



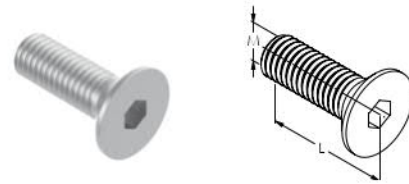
Quality	Finish	art.	Glass hole
AISI304	satın	A/0156-048	20

# 8

## ACCESSORIES







Quality	Finish	art.	M	L
AISI304	natural	A-DIN 914-A2 M5x5		5
		A-DIN 914-A2 M5x6	5	6
		A-DIN 914-A2 M5x8		8
		A-DIN 914-A2 M6x6	6	6
		A-DIN 914-A2 M8x40	8	40
AISI316		A4-DIN 914 M5x5	5	5

*new*



Quality	Finish	art.
AISI304	natural	A-DIN 916-A2 M10x14
AISI316		A4-DIN 916 M10x14



Quality	Finish	art.	M	D
AISI304	natural	A-DIN 6334V M8x25-A2	8	11
		A-DIN 6334V M10x25-A2	10	13
		A-DIN 6334V M12x40-A2	12	40

*new*



Quality	Finish	art.	M	L		
AISI304	natural	A-DIN 913-A2 M5x10	5	10		
		A-DIN 913-A2 M6x10				
		A-DIN 913-A2 M6x12	6	12		
		A-DIN 913-A2 M6x35		35		
		A-DIN 913-A2 M8x16		16		
		A-DIN 913-A2 M8x20		20		
		A-DIN 913-A2 M8x25	8	25		
		A-DIN 913-A2 M8x30		30		
		A-DIN 913-A2 M8x40		40		
		A-DIN 913-A2 M8x80		80		
		A-DIN 913-A2 M10x12		12		
		A-DIN 913-A2 M10x35	10	35		
		A-DIN 913-A2 M10x100		100		
		AISI316		A4-DIN 913 M5x5	5	5
				A4-DIN 913 M5x10		10
				A4-DIN 913 M6x10	6	
A4-DIN 913 M6x12				12		
A4-DIN 913 M10x12				12		
A4-DIN 913 M10x16	10			16		
		A4-DIN 913 M10x55		55		

*new*

Quality	Finish	art.	M	L		
steel 8.8	Zn	DIN 7991 M8x20-Zn	8	20		
		DIN 7991 M12x30-Zn		30		
AISI304	natural	DIN 7991 M12x40-Zn	12	40		
		A-DIN 7991-A2 M5x8	5	8		
		A-DIN 7991-A2 M5x12		12		
		A-DIN 7991-A2 M5x16	5	16		
		A-DIN 7991-A2 M5x20		20		
		A-DIN 7991-A2 M6x8		8		
		A-DIN 7991-A2 M6x14		14		
		A-DIN 7991-A2 M6x16	6	16		
		A-DIN 7991-A2 M6x20		20		
		A-DIN 7991-A2 M6x40		40		
		A-DIN 7991-A2 M6x60		60		
		A-DIN 7991-A2 M8x12		12		
		A-DIN 7991-A2 M8x16		16		
		A-DIN 7991-A2 M8x30		30		
		A-DIN 7991-A2 M8x35	8	35		
		A-DIN 7991-A2 M8x50		50		
		A-DIN 7991-A2 M8x70		70		
		A-DIN 7991-A2 M8x80		80		
		A-DIN 7991-A2 M8x110		110		
		A-DIN 7991-A2 M10x35	10	35		
		A-DIN 7991-A2 M12x16	12	16		
		AISI316		A4-DIN 7991 M5x8	5	8
				A4-DIN 7991 M5x16		16
				A4-DIN 7991 M6x14	6	14
				A4-DIN 7991 M6x40		40
				A4-DIN 7991 M8x20		20
				A4-DIN 7991 M8x30		30
				A4-DIN 7991 M8x70	8	70
A4-DIN 7991 M8x100				100		
A4-DIN 7991 M8x120				120		
A4-DIN 7991 M10x20	10			20		
		A4-DIN 7991 M12x30	12	30		

*new*

*new*

*new*

*new*

*new*

*new*

*new*

*new*

*new*

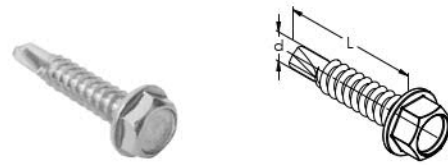
*new*





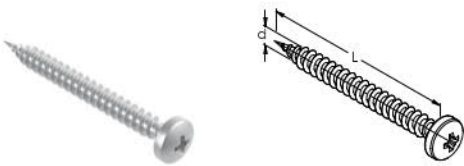
Quality	Finish	art.	d	L
AISI304	natural	SOL-TSS-530	5,5	30
		SOL-TSS-540		40

*new*



Quality	Finish	art.	d	L
AISI304	natural	A-DIN 7504K-A2 4,2x13	4,2	13
		A-DIN 7504K-A2 4,2x16		16
		A-DIN 7504K-A2 5,5x25	5,5	25
		A-DIN 7504K-A2 6,3x16	6,3	16

*new*  
*new*  
*new*  
*new*



Quality	Finish	art.	d	L
AISI304	natural	A-PH 5x20	5	20
		A-PH 5x35		35
		A-PH 6x45	6	45



Quality	Finish	art.	d	L
AISI304	natural	A-DIN 7981C-A2-TX 4,2x60	4,2	60

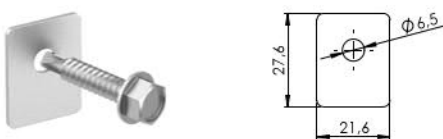


Quality	Finish	art.	d	L
AISI304	natural	A-DIN 7505A 4,2x16	4,2	16
		A-DIN 7505A 5x20		20
		A-DIN 7505A 5x35	5	35
		A-DIN 7505A 5x45		45



Quality	Finish	art.	d	L
AISI304	natural	A-DIN 7982C-TX-A2 4,2x22	4,2	22

*new*



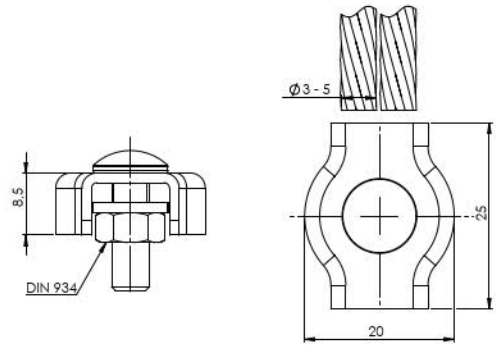
Quality	Finish	art.	pack [pcs]
Fe	Zn	H/01PVC-FS	6
		H/01PVC-FS-J	4

*new*

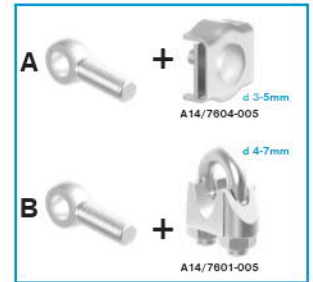
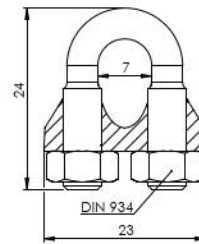


Quality	Finish	art.
Fe	Zn	H/01PVC-FS-AL

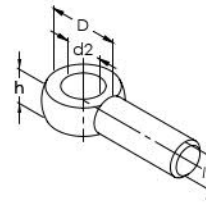
*new*



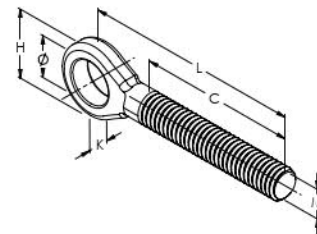
Quality	Finish	art.	d	anchor system
AISI316	satın	A14/7604-005	3-5	C2



Quality	Finish	art.	d	anchor system
AISI316	satın	A14/7601-005	7	C2

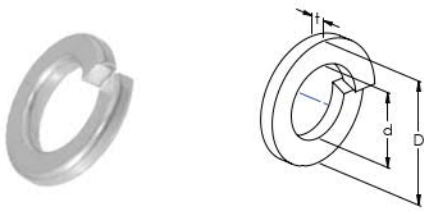


Quality	Finish	art.	d2	M	D	h	anchor system
AISI316	satın	A14/7350-003	6,5	6	12	6	C2,C3
		A14/7350-005	9,5	10	20	9,7	



Quality	Finish	art.	M	H	L	C	K	∅	anchor system
AISI316	satın	A14/7333-M6	6	14	44	30	4	8,5	C3
		A14/7333-M6 LEFT							
		A14/7333-M10	10	22	90	63	6	10,5	
		A14/7333-M10 LEFT							

new  
new  
new  
new



Quality	Finish	art.	M	t	d	D
steel	Zn	DIN 7980 M10-Zn	10		10	16
		DIN 7980 M12-ZN	12	2,5	12	18
		DIN 127 B M12	12		12	21

*new  
new  
new*



Quality	Finish	art.	M	plate t
steel	Zn	MK-M8 Zn	8	1,8-3,2
		MK-M10 Zn	10	

*new  
new*



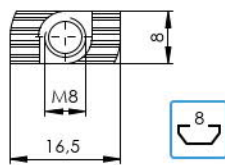
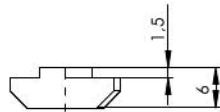
Quality	Finish	art.
PVC	natural	VCT.40 FP-M8

*new*



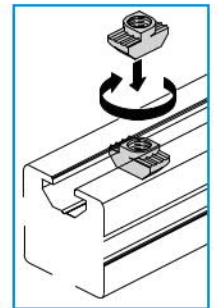
A19/04-PVC    A19/04-PVC-L    A19/04-PVC-BLACK

Quality	Finish	art.
PVC	natural	A19/04-PVC
	polish	A19/04-PVC-L
	black	A19/04-PVC-BLACK



Quality	Finish	art.
steel	Zn	M4-GN505

*new*

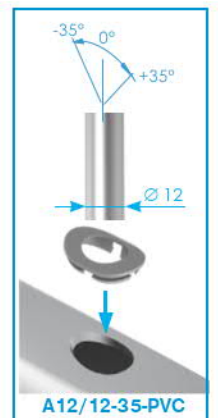


A12/12-PVC



A12/12-35-PVC

Quality	Finish	art.
PVC	natural	A12/12-PVC
		A12/12-35-PVC





Quality	Finish	art.	M	t
steel 8.8	Zn	DIN 934 M6-Zn	6	5
		DIN 934 M8-Zn	8	6,5
		DIN 934 M10-Zn	10	8
		DIN 934 M12-Zn	12	10
AISI304	natural	A-DIN 934 M6	6	5
		A-DIN 439B-A2 M8	8	4
		A-DIN 934 M8		6,5
		A-DIN 934 M10	10	8
		A-DIN 934 M12	12	10
AISI316	natural	A4-DIN 934 M8	8	4
		A4-DIN 934 M10	10	8

new  
new  
new  
new  
new

Quality	Finish	art.	D	d	t
steel	Zn	DIN 125 M6-Zn	12	6,4	1,6
		DIN 125 M8-Zn	16	8,4	
		DIN 125 M10-Zn	20		2
		DIN 9021 M10-Zn	30	10,5	2,5
		DIN 9021 M12-Zn	37	13	
		DIN 9021 M16-Zn	50	17	3
		DIN 125 M12-Zn	24	13	2,5
		DIN 125 M16-Zn	30	17	3
AISI304	natural	A-DIN 125-A2 M5	10	5	1
		A-DIN 9021-A2 M8	30		2,5
		A-DIN 125-A2 M8	16	8	1,6
		A-DIN 125-A2 M10	20	10	2
		A-DIN 125-A2 M12	24	12	2,5
AISI316	natural	A4-DIN 433-A2 M12	20		
		A4-DIN 9021 M8	24	8,4	2
		A4-DIN 9021 M16	50	17	2,5

new  
new  
new  
new  
new  
new  
new  
new



Quality	Finish	art.	M	t
steel	Zn	DIN 1587 M6-Zn	6	12
		DIN 1587 M8-Zn	8	15
		DIN 1587 M10-Zn	10	18
		DIN 1587 M12-Zn	12	22
AISI304	natural	A-DIN 1587-A2 M6	6	12
		A-DIN 1587-A2 M8	8	15
		A-DIN 1587-A2 M10	10	18
AISI316	natural	A-DIN 1587-A2 M12	12	22
		A4-DIN 1587 M10	10	18

new  
new  
new  
new

Quality	Finish	art.	M	s	t
AISI304	natural	A-DIN 562 M6	6	10	3,2
		A-DIN 562 M8	8	13	4
		A-DIN 562 M10	10	17	5

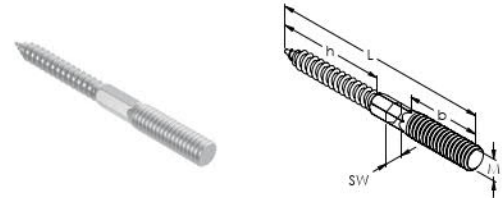


Quality	Finish	art.	M	t
AISI304	natural	A-DIN 6923-A2 M8	8	10

Quality	Finish	art.	M	t
AISI304	natural	A-DIN 917 M8	8	10
		A-DIN 917 M10	10	12



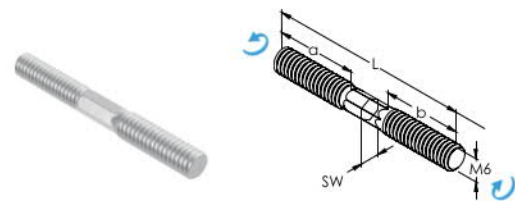
Quality	Finish	art.
AISI304	natural	A-DIN 7337-A2 4,8x20



Quality	Finish	art.	M	L	b	h	SW
AISI304	natural	A-DIN 9210 M6x60-A2	6	60	20	37	-
		A-DIN 9210 M8x60-A2	8		42	48	✓
		A-DIN 9210 M8x100-A2	8	100	30	57	✓
AISI316	natural	A-DIN 9210 M10x100-A2	10		30	57	✓
		A4-DIN 9210 M6x100	6	100			✓
		A4-DIN 9210 M8x60	8	60	20	37	-
		A4-DIN 9210 M8x100	8	100	42	48	✓



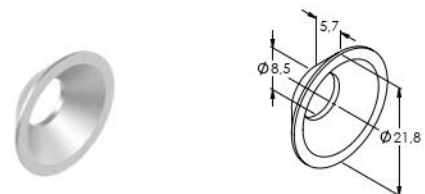
Quality	Finish	art.	M
steel	Zn	WOOD/M8-D	8
		WOOD/M10-D	10



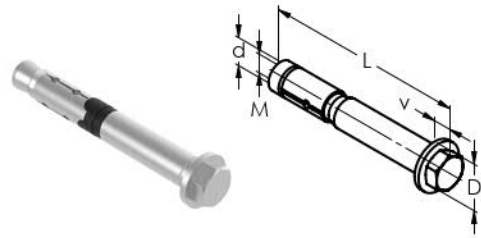
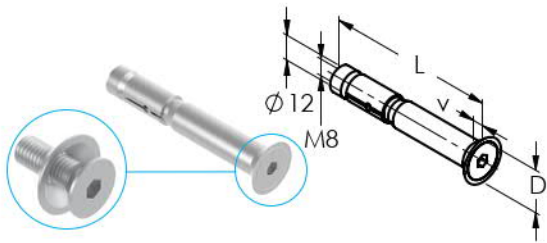
Quality	Finish	art.	M	L	a	b	SW
AISI316	natural	A4-DUAL M6/M6	6	65	30	30	✓ <i>new</i>
		A4-DUAL M10/M10	10				



Quality	Finish	art.	M	L
AISI304	natural	A-FTT-M5	5	12
		A-FTT-M6	6	14
		A-FTT-M8	8	16,5
		A-FTT-M10	10	19



Quality	Finish	art.
AISI316	natural	A14/08-WASHER

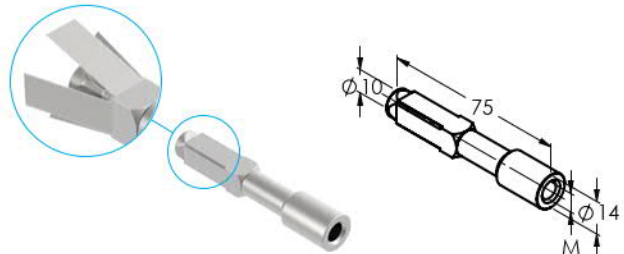
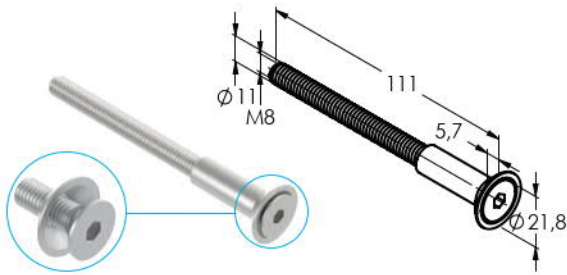


Quality	Finish	art.	L	∅	D/v	CE	load
steel	Zn	Q5/08-M8-75SK/S	75	22/5	-		medium
		Q5/08-HAZ-M8-80SK/S	80	20,5/5	✓		heavy
		Q5/08-FH12-50	125	12	22/5,8	✓	heavy
		Q5/08-12-125	125	12	22/5,8	-	heavy
AISI304	natural	A5/08-12-125	125	12	22/5,8	-	heavy
AISI316	natural	A5/08-HAZ-M8-80SK/A4	80	20,5/5	✓		heavy

new  
top  
new  
new

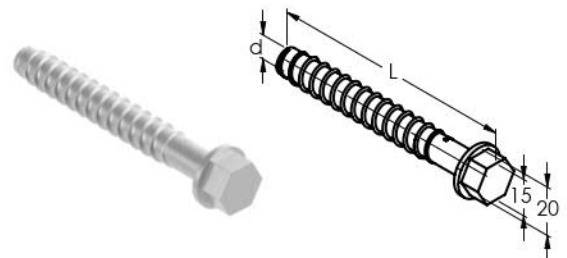
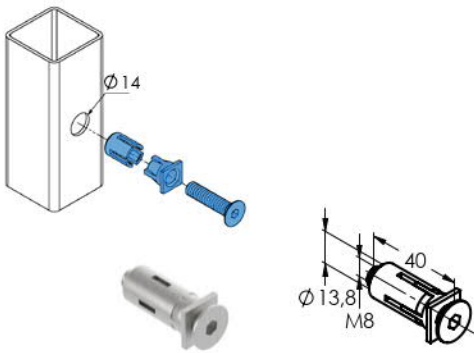
Quality	Finish	art.	M	L	d	D/v	CE	load		
steel	Zn	Q5/08-M8-80S/S	8	80	11	22/7,5	-	medium		
		Q5/08-HAZ-M8-85S/S	8	85	12	20/7,5	✓	heavy		
		Q5/08-M8-120S/S	10	120	11	22/7,5	-	medium		
		Q5/08-FH15/25 S	10	89	15	25/9,5	✓	heavy		
		Q5/08-HAZ-M10-106S/S	10	106	14	25/8,3	-	medium		
		Q5/08-M10-106S/S	10	100	14	25/8,3	-	medium		
		Q5/08-M10-120S/S	10	120	14	25/8,3	-	medium		
		AISI304	natural	A5/08-M8X80	8	80	10	20/7,5	-	medium
		A5/08-M8-80S/S		8	80	11	22/7,5	-	medium	
		A5/08-M8-120S/S		10	120	11	22/7,5	-	medium	
AISI316	natural	A5/08-M10-70S/S	10	70	14	25/8,3	-	medium		
A5/08-HAZ-M8-85S/A4		8	85	12	20/7,5	✓	heavy			
		A5/08-HAZ-M10-106S/A4	10	106	15	25/9,5	✓	heavy		

new  
new  
new  
new  
new  
new  
new



Quality	Finish	art.	CE	load
AISI304	natural	A5/08-105x11xM8	-	N/A
AISI316	natural	A14/08-105x11xM8	-	N/A

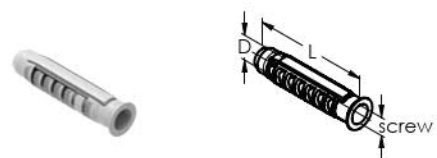
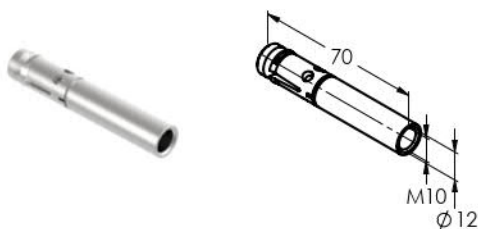
Quality	Finish	art.	M	CE	load
steel	natural	Q11/FPX-M8	8	✓	heavy
		Q11/FPX-M10	10	✓	heavy



Quality	Finish	art.	CE	load
steel	Zn	Q5/09-Quick-Fix QF5	-	N/A

Quality	Finish	art.	d	L	CE	load
steel 5.8	Zn	Q5/08-BS-S-10-90/S	10	90	✓	heavy
AISI316	natural	A5/08-BS-S-10-90/A4	10	90	✓	heavy
steel 5.8	Zn	Q5/08-BS-S-12-110/S	12	110	✓	heavy
AISI316	natural	A5/08-BS-S-12-110/A4	12	110	✓	heavy

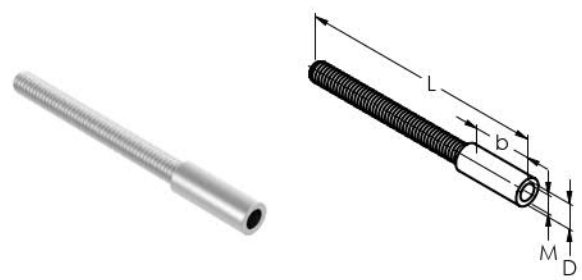
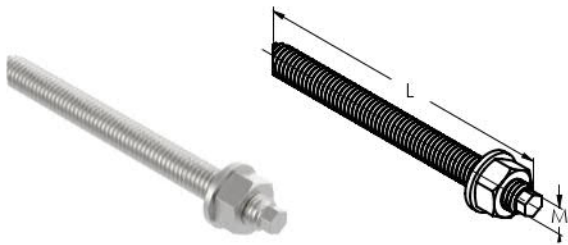
new



Quality	Finish	art.	CE	load
steel	Zn	Q5/08-FAZ-IG-M10-70/S	✓	heavy
AISI316	natural	A5/08-FAZ-IG-M10-70/A4	✓	heavy

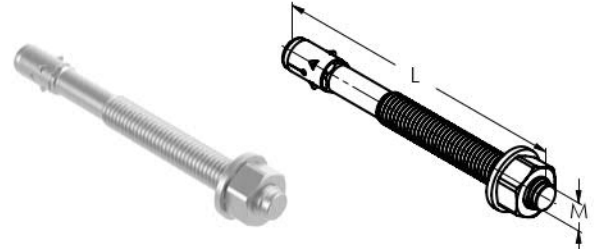
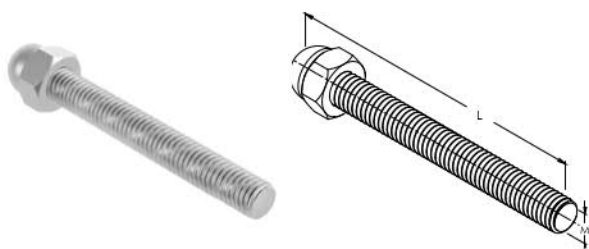
Quality	Finish	art.	D	screw	L
NYLON	gray	Q5/07-8 NYLON	8	4,5-6	40
		Q5/07-10 NYLON	10	6-8	50
		Q5/07-12 NYLON	12	8-10	60





Quality	Finish	art.	M	L	CE	load
steel	Zn	Q5/08-VM 250-M10-115	10	115	✓	heavy
		Q5/08-VM 250-M10-165		165	✓	heavy
		Q5/08-VM 250-M12-135	12	135	✓	heavy
		Q5/08-VM 250-M12-160		160	✓	heavy
AISI316	natural	A5/08-VM 250-M10-115-A4	10	115	✓	heavy
		A5/08-VM 250-M10-165-A4		165	✓	heavy
		A5/08-VM 250-M12-135-A4	12	135	✓	heavy
		A5/08-VM 250-M12-160-A4		160	✓	heavy

Quality	Finish	art.	M	L	D	b	CE	load
AISI304	natural	A19/27-M8	8	11	-	-	-	N/A
		A19/27-M10	10	140	13	-	-	N/A
		A19/27-M12	12	130	15	25	-	N/A



Quality	Finish	art.	M	L	CE	load
AISI304	natural	A-DIN 975-1587 M10x100	10	100	N/A	N/A

new

Quality	Finish	art.	M	L	CE	load
steel	Zn	Q5/06-6x60CE	6	60	-	heavy
		Q5/06-8x100CE	8	92	-	heavy
		Q5/06-10x120CE	10	120	-	heavy
		Q5/06-12x110CE	12	110	-	heavy
		Q5/08-FBN12-30	12	126	✓	heavy
AISI304	natural	Q5/06-16x123CE	16	123	-	heavy
		Q5/06-16x138CE	16	138	-	heavy
		A-Q5/06-8x90CE	8	90	-	heavy
		A-Q5/06-10x120CE	10	120	-	heavy
		A-Q5/06-12x110CE	12	110	-	heavy
AISI316	-	A4-Q5/06-12x110CE	12	110	✓	heavy

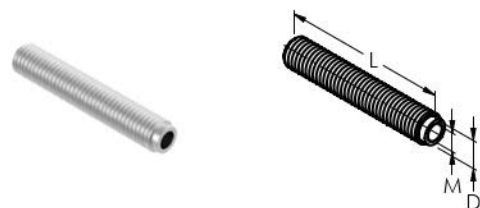
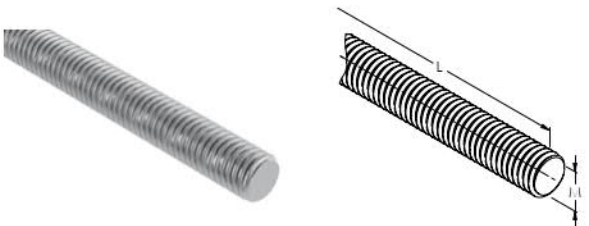
new

new

new

new

new



Quality	Finish	art.	M	L	CE	load
steel	Zn	DIN 975 M6-Zn	6	-	-	-
		DIN 975 M8-Zn	8	-	-	-
		DIN 975 M10-Zn	10	-	-	-
		DIN 975 M12-Zn	12	1000	-	-
		DIN 975 M16-Zn	16	-	-	-
AISI304	natural	A-DIN 975 M6	6	-	-	-
		A-DIN 975 M8	8	-	-	-
		A-DIN 975 M8-100	-	100	-	-
		A-DIN 975 M8-120	-	120	-	-
		A-DIN 975 M8-150	8	150	-	-
		A-DIN 975 M8-200	-	200	-	-
		A-DIN 975 M10	10	1000	-	-
		A-DIN 975 M10-100	-	100	-	-
		A-DIN 975 M10-120	-	120	-	-
		A-DIN 975 M10-150	10	150	-	-
		A-DIN 975 M10-200	-	200	-	-
		A-DIN 975 M12	12	1000	-	-
		A-DIN 975 M12-100	-	100	-	-
		A-DIN 975 M12-120	-	120	-	-
		A-DIN 975 M12-150	12	150	-	-
A-DIN 975 M12-200	-	200	-	-		
AISI316	natural	A-DIN 975 M16	16	1000	-	-
		A4-DIN 975 M10	10	-	-	-

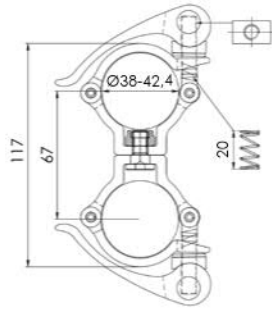
new  
new  
new  
new  
new

new  
new  
new  
new

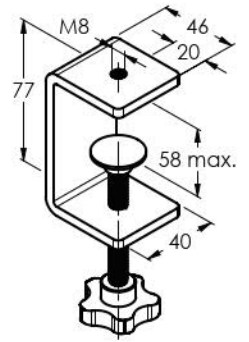
new  
new  
new  
new

new  
new  
new  
new

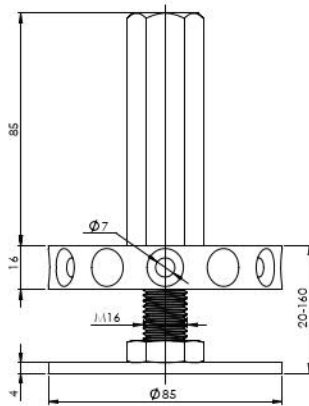
Quality	Finish	art.	M	L	D	CE	load
steel 5.8	Zn	Q5/08-VI-HG-M8-100/S	8	100	12	✓	heavy
		Q5/08-VI-HG-M10-80/S	10	80	16	✓	heavy
		Q5/08-VI-HG-M12-125/S	12	125	20	✓	heavy
AISI316	natural	A5/08-VI-HG-M8-100/A4	8	100	12	✓	heavy
		A5/08-VI-HG-M10-80/A4	10	80	16	✓	heavy
		A5/08-VI-HG-M12-125/A4	12	125	20	✓	heavy



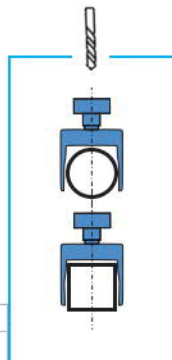
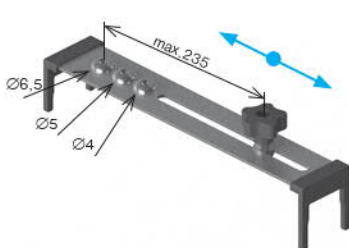
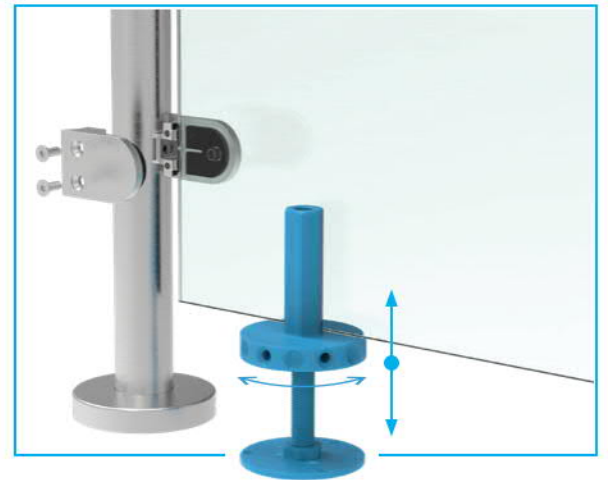
Quality	Finish	art.
ALUMINIUM	satın	AL/0792-3842



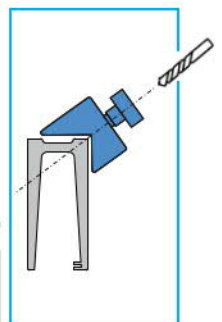
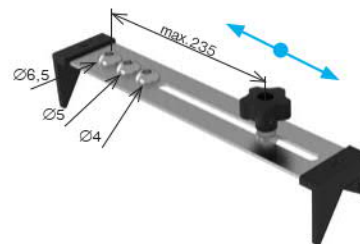
Quality	Finish	art.
AISI304	satın	A6/2xM8-77x40



Quality	Finish	art.	description
Fe	Zinc	MP/GLASS-01	glass mount on post railings



Quality	art.	Ø	Ø
AISI304	A/40580-PLASTIC	42,4	40



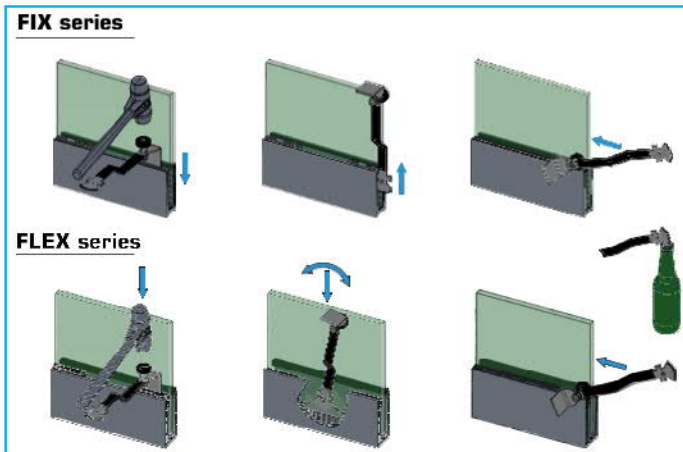
Quality	art.	compatibility
AISI304	A/40580-PLASTIC-V2	AL/0004... AL/0004-eco... AL/0004-PRO...

new



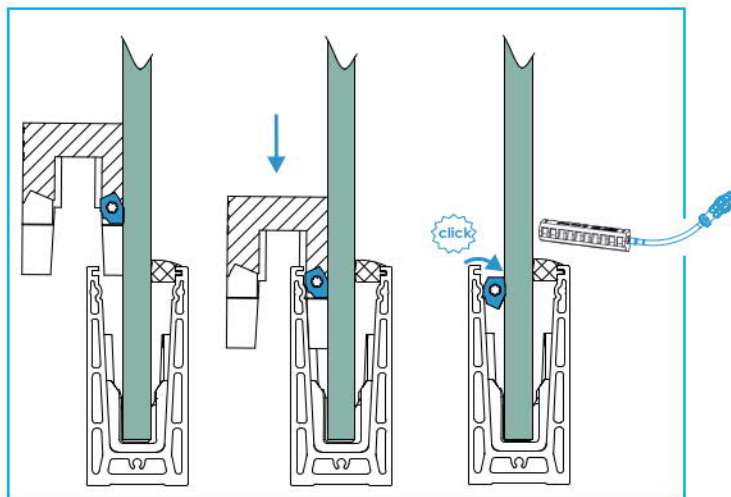
	art.
AL/glass-mont-PRO	

*new*



Quality	Finish	art.
PETG	gray	MP/excenter-mount

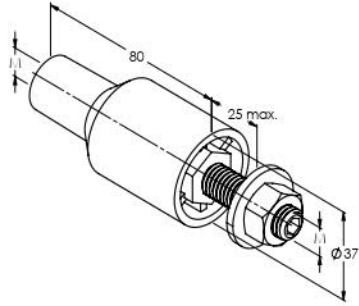
*new*



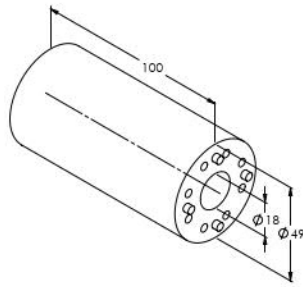
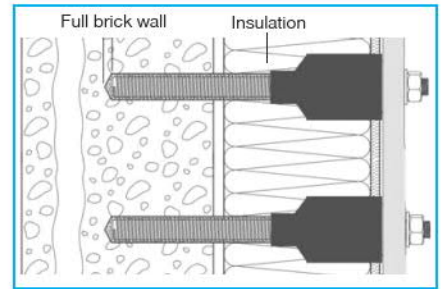
	art.	glass t
AL/GLASS-HOLDER		1-70mm



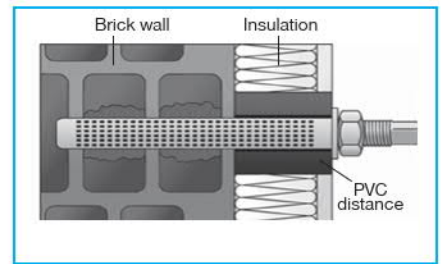
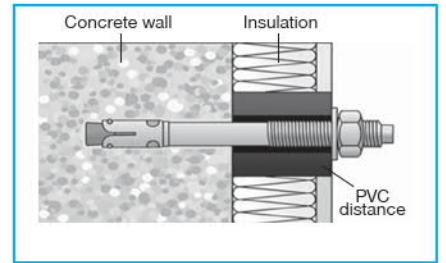
	art.	total length	ext. square
Q8/70-275-PRO		275mm	1/4"



Quality	Finish	art.	M
AISI304	natural	Q10/Therm-M12/M12	12/12
		Q10/Therm-mini-M10/M8	10/8
		Q10/Therm-M12/M16	12/16

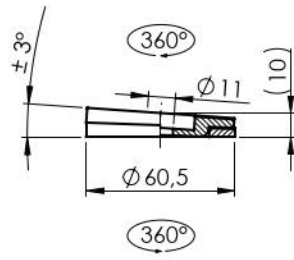


Quality	Finish	art.
PVC	black	A19/05-100



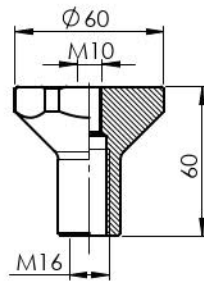
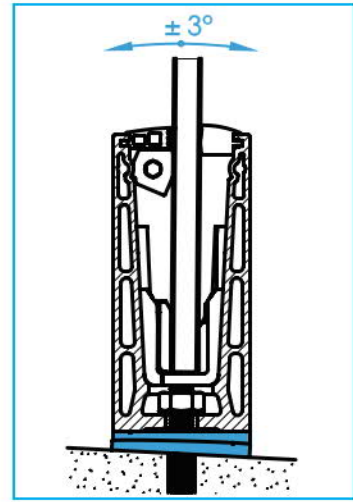
Quality	Finish	art.
PVC	black	MP/water-level

*new*



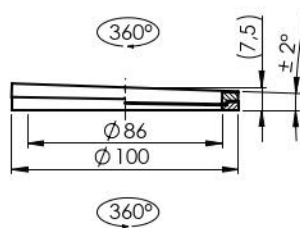
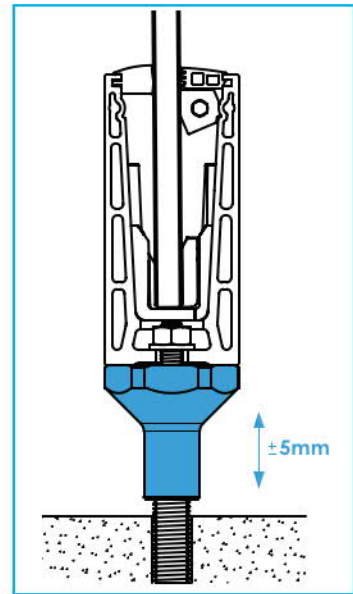
Quality	Finish	art.
AISI304	natural	Q10/ANGLE-0-3-60

new



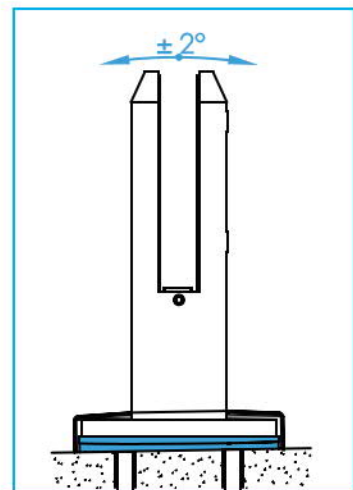
Quality	Finish	art.
AISI304	natural	Q10/60-M16/M10

new



Quality	Finish	art.
AISI304	natural	Q10/ANGLE-0-2-100

new





art.	ml	quality	description
Q5/01GF-300 Nordic			-20°C +10°C
Q5/01GF-400 Nordic		vinylester	
Q5/01GF-300			-10°C +30°C
Q5/01GF-400			

*top*



art.	ml	quality	description
Q5/01B-300			-10°C +40°C
Q5/01B-400		vinylester	-10°C +40°C
Q5/01B-400 Winter			-20°C +20°C

*new*



art.	ml	quality	description
Q5/01GFP-300		Polyester	-5°C +30°C
Q5/01GFP-400			



art.	ml	quality	description
Q5/05TR-310		Silicone	-5°C +40°C



art.	ml	quality	description
Q5/01-WIT-UH300...	320	uretan vinylester	-5°C +40°C
Q5/01-WIT-VM250...	300	vinylester	-10°C +40°C



Q5/04-250

art.	M	L
Q5/04	17	215
Q5/04-250	8	250

*new*



art.	ml	description
A/spray-R7016	400	Repair spray



art.	description
Q5/03-50	50ml, profi



art.	ml	description
Q5/05-LOCTITE	50	epoxy adhesive



art.	description
Q5/03-300	300ml, hobby



art.	description
Q5/03-400	400ml, profi



art.	description
Q5/01-16x130	mesh



art.	description
<b>Q5/02</b>	blow pump

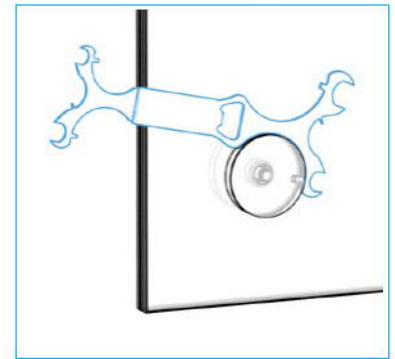
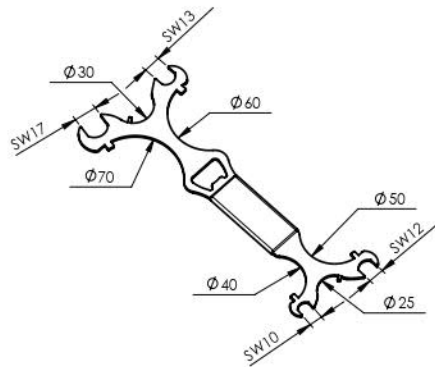


art.	t	b	L
<b>Q9/03-3x12</b>	3	12	16,5



art.	t	b	L
<b>Q9/03-0,2x9</b>	0,2	9	50
<b>Q9/03-0,5x9</b>	0,5	9	33
<b>Q9/03-2x6</b>	2	6	16,5

*new*



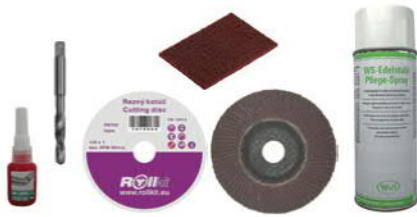
Quality	Finish	art.
<b>AISI304</b>	natural	<b>A19/model741-8</b>



art.	Ø	description
<b>Q1/B02-INOX</b>	3-45	Pipe cutting



art.	compatibility
<b>Q1/B02-INOX-RK</b>	<b>Q1/B02-INOX</b>



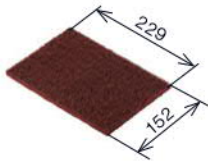
Q/INOX-INSTALL-SET



Q/INOX-INSTALL-SET-B

*new*

art.								
Q/INOX-INSTALL-SET	1x	-	-	1x	1x	1x	1x	1x
Q/INOX-INSTALL-SET-B	-	1x	1x	2x	2x	1x	1x	2x



art.	granularity
Q1/G01	360



art.	description
Q1/RN01-125x1	cutting disc
Q1/RN01-150x1,6	
Q1/RN01-230x2	

*top new*



art.	description
Q1/L01-125-40	flap disc
Q1/L01-125-60	
Q1/L01-125-80	
Q1/L01-125-120	

*new*



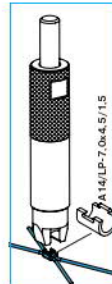
*new*

art.	description	operation
Q8/LP-7x4,5	riveting punch	2 steps



*new*

art.	description	operation
Q8/LP-7x4,5-B	riveting punch	1 step



*new*

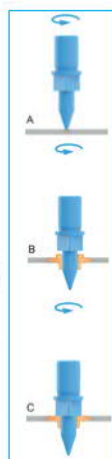
Quality	art.	use	Ø
HSS-TiN	A-DRILL-D4-20	metal	4-20



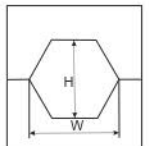
Quality	art.	M	Ø
	A-DRILL-M5	5	4
HSS-CO5	A-DRILL-M6	6	4,8
	A-DRILL-M8	8	6,4



Quality	art.	M
	A/FDRILL-M5C	5
HSSE	A/FDRILL-M6C	6
	A/FDRILL-M8C	8
	A/FDRILL-M10C	10



art.	Mould size	W	H
Q8/95	4	4	3
	6	5	3,5
	8	6	4,5
	10	6,5	5,4
	16	7,3	6,4
	25	9	7,4
	35	11	9,2
	50	13	10,8
	70	15	12,6







CA/ACTIVATOR CA/LAK

art.	g	description
CA/ACTIVATOR	1000	corten effect
CA/LAK		lacquer for corten

*new new*



art.	ml	description
A/spray-WS	400	INOX

*top*



art.	ml	description
A/Cleaner-500ml	500	INOX



A/GLUE-577-50g A/GLUE-638-10g A/GLUE-638-50g

art.	g	gap	description
A/GLUE-577-50g	50	0,4	INOX, contains activator
A/GLUE-638-10g	10	0,15-	
A/GLUE-638-50g	50	0,25	

*new new new*



art.	g	description
A/ACTIVATOR-500ml	500 ml	for A/Glue..



art.	description	ml
J08/08	cutting/drilling oil	400

*new*



art.	g	gap	description
A/GLUE-10g-C	10	0,2	INOX



A/GLUE-403-20g A/GLUE-20g

art.	g	gap	description
A/GLUE-20g	20	0,2	all purpose superfast
A/GLUE-403-20g			

*new*



art.	g	gap	description
A/GLUE-50g-C	50	0,2	INOX
A/GLUE-50g-D		0,4	INOX



*new*

art.	ml	description
Q5/05-MAMUT	290	instant fix



*new*

art.	ml
GS/Cleaner-Glass	200



*new*

art.	ml
GS/Cleaner-Metal	200



Art.  
PNL/G04-23x15-BOX



Art.	profile sample
PNL/G04-23x15	AL/000+PRO
PNL/G05-23x15	AL/0004-LIGHT
PNL/G06-23x15	AL/0006-UNO
PNL/G07-23x15	AL/0005-UNO
PNL/G08-23x15	AL/0011-ProXL

*new  
new  
new  
new*



Art.  
FG/SAMPLE-... *new*



Art.  
REK-CASE-ALU



Art.  
REK-CASE-INOX3



Art.  
REK-CASE-FG *new*



Art.  
REK-CASE-ALU-FLEX *new*



Art.  
KAT-ALU-SYSTEMS 25-26



Art.  
KAT-GATES 24-25



Art.  
KAT-AUTIOMATIONS 25-26



Art.  
KAT-SOLAR SYSTEMS 24-25



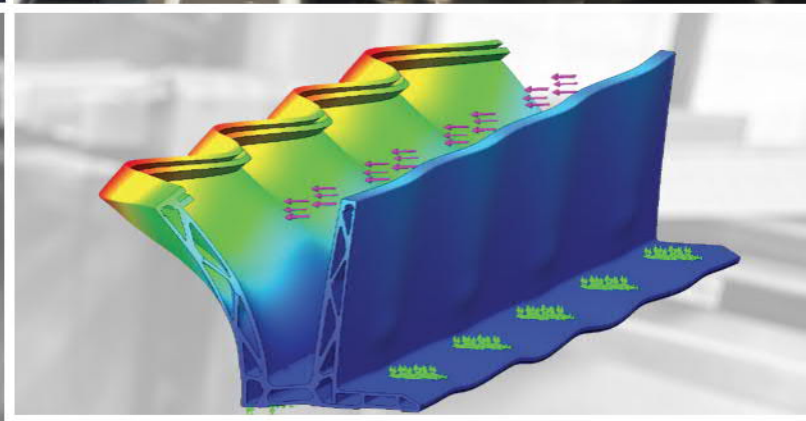
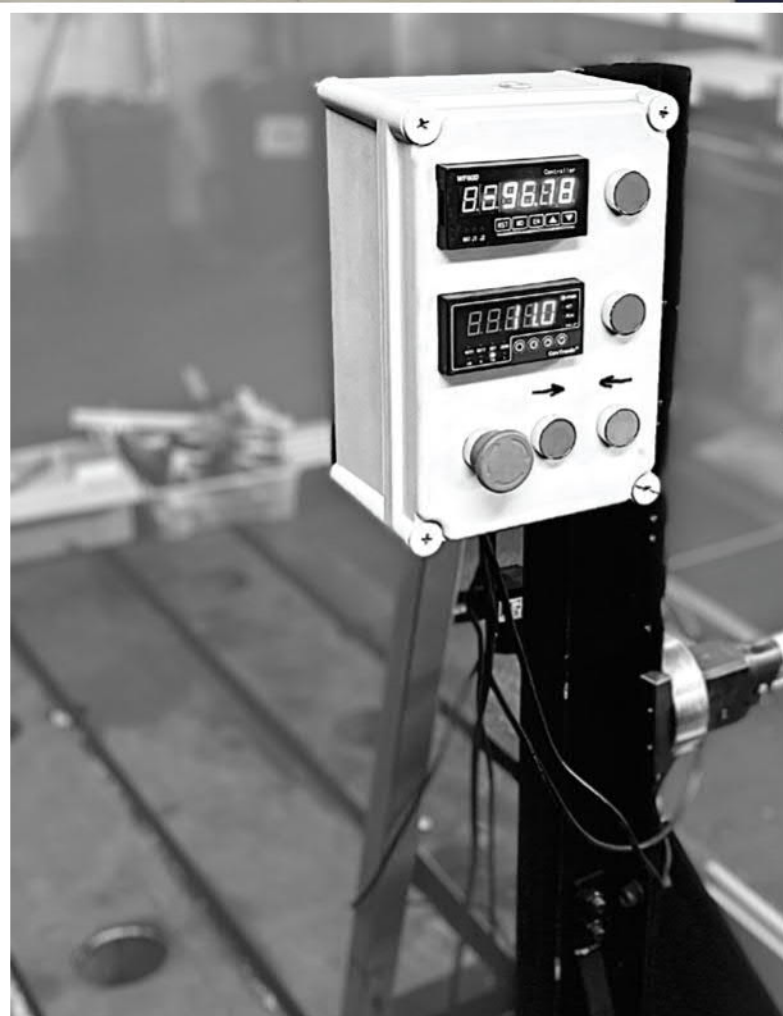
Art.  
KAT-GLASS RAILINGS 24-25

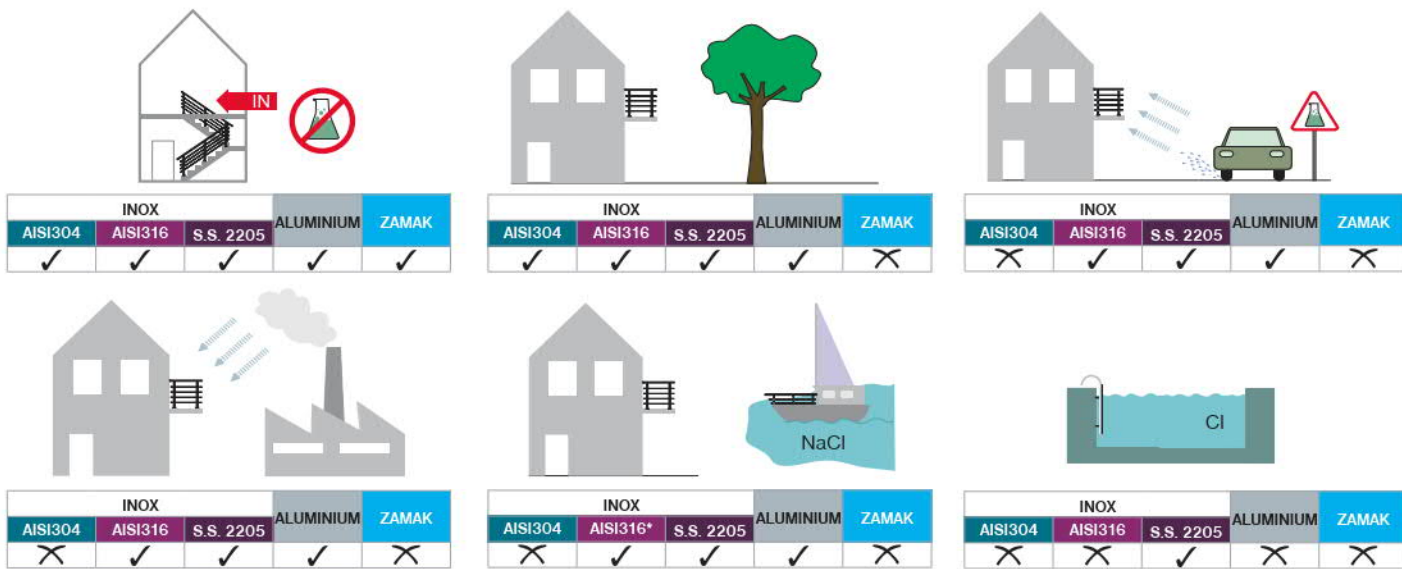


Art.  
KAT-POST RAILINGS 24-25



Art.  
KAT-GLASS SYSTEMS 25-26





\* only mirror finish (polished)

	CZ	PL	HU	UK	DE	FR
<b>INOX AISI304</b>	nerezová oceľ	stal nierdzewna	rozsdamentes acél	stainless steel	Edelstahl	INOX
<b>INOX AISI316</b>						
<b>S.S. 2205</b>						
<b>CORTEN</b>	corten oceľ	corten stal	corten acél	corten steel	Cortenstahl	corten
<b>ALUMINIUM</b>	hliník	aluminium	aluminium	aluminium	Aluminium	aluminium
<b>ZAMAK</b>	zliatina Zn+Al	stop cynku i aluminium	Zn+Al ötvözet	ZAMAC	Zinkdruckguss	alliage Zn+Al
<b>Fe</b>	železo	želazo	vas	iron	Eisen	fer
<b>Zn</b>	zinok	cynk	cink	zinc	Zink	zinc
<b>Brass</b>	mosadz	miedź	sárgaréz	brass	Messing	laiton
<b>PVC</b>	polyvinyl chloride					
<b>PETG</b>	polyethylene terephthalate glycol					
<b>Rubber</b>	guma	guma	gumi	rubber	Gummi	gomme
<b>Beech</b>	buk	buk	bükk	beech	Buche	hêtre
<b>Oak</b>	dub	dąb	tölgy	oak	Eiche	chêne
<b>Spruce</b>	smrek	świerk	lucfenyő	spruce	Fichte	épicéa
<b>VSG/ESG</b>	sklo	szklo	üveg	glass	Glas	verre
<b>satin</b>	brus K320	szlif K320	szálciszolt K320	brushed K320	geschliffen K320	brossé K320
<b>silver</b>	strieborný	srebro	ezüst	silver	Silber	argent
<b>polish</b>	lesk	polerowany	tükör polírozott	polished	poliert	poli
<b>raw</b>	surový	surowy	nyers	raw	roh	brossé
<b>natural</b>	nebrúsený	neszlifovaný	natúr	rough	ungeschliffen	non-brossé
<b>INOX</b>	nerez	nierdzewny	rozsdamentes	inox	Edelstahl	inox
<b>ELOX</b>	eloxovaný	anodowany	eloxált	elox	Eloxiert	anodisé
<b>not assembled</b>	potrebné úpravy nezmontované	niezbędne przystosowanie niezłożone	szükséges módosítás nem összeszerelt	necessary modification not assembled	Anpassung ist notwendig unmontiert	modification nécessaire non assemblé
<b>≈</b>	približný rozmer	przybliżone wymiary	közeliítő méretek	approximate dimension	die Abmessungen sind ungefähr	dimensions approximatives
<b>top</b>	bestseller	bestseller	legjobban eladott	best seller	Bestseller	best-seller
<b>new</b>	novinka	nowość	új	new	Neuheit	nouveau
<b>RAL color</b>						
<b>PVD</b>	PVD = (physical vapor deposition) coating PVD-L = polished surface finish					
<b>LED</b>						

- INOX AISI 304** - vhodný do prostredia bez chlóru a oxidu siričitého  
**INOX AISI 316** - vhodný do prostredia s vysokým obsahom chlóru, oxidu siričitého, vysokej vlhkosti, do prímorských regiónov  
**INOX S.S. 2205** - vhodný do prostredia s vysokým obsahom chlóru, oxidu siričitého, vysokej vlhkosti s prítomnosťou soli na pobreží a na voľnom mori.
- INOX AISI 304** - suitable for the environment without chlorine and sulphur dioxide load  
**INOX AISI 316** - suitable for the environment with a high content of chlorine, sulphur dioxide load, high humidity, coastal regions  
**INOX S.S. 2205** - Suitable for environments with a high content of chlorine, sulfur dioxide, high humidity with salt on the coast and on the high seas.
- INOX AISI 304** - przeznaczone dla środowiska bez dwutlenku siarki oraz chloru  
**INOX AISI 316** - przeznaczone dla środowiska o wysokiej zawartości dwutlenku siarki oraz chloru, wysokiej wilgotności oraz w regionach nadmorskie  
**INOX S.S. 2205** - Nadaje się do środowisk o wysokiej zawartości chloru, dwutlenku siarki, o wysokiej wilgotności, o dużym zasoleniu, w strefach nadmorskich, lub w bezpośrednim kontakcie z wodą morską.
- INOX AISI 304** - alkalmazható olyan környezetben, ahol nincs klór és kén-dioxid terhelés  
**INOX AISI 316** - alkalmazható olyan környezetben, ahol magas a klór-, vagy kén-dioxid terhelés, magas a páratartalom, tengerparti régiókban  
**INOX S.S. 2205** - „Alkalmazható magas klór-, kén-dioxid-, sós nedvességtartalmú környezetben, valamint tengerparton és a nyílt tengeren”.
- INOX AISI 304** - geeignet in Umgebung ohne Chlor und Schwefeldioxid  
**INOX AISI 316** - geeignet in Umgebung mit einem hohen Gehalt an Chlor, Schwefeldioxid oder in Umgebung mit hoher Luftfeuchtigkeit, in Küstenregionen  
**INOX S.S. 2205** - geeignet für Umgebungen mit hohem Gehalt an Chlor, Schwefeldioxid und hoher Luftfeuchtigkeit mit Salz an der Küste und auf hoher See
- INOX AISI 304** - Convenable pour les environnements sans chlore et/ ou bioxyde de soufre  
**INOX AISI 316** - Convenable pour les environnements avec un contenu élevé de chlore et/ ou de bioxyde de soufre, une grande humidité, régions maritimes  
**INOX S.S. 2205** - Convenable au milieu avec un contenu élevé du dioxyde de soufre, ainsi qu'au milieu humide contenant du sel, tel que le bord de mer ou la mer ouverte.

TEST / CERTIFICATE



právo na technické, tvarové a rozmerové zmeny vyhradené/ rights to technical, shape and dimensional changes reserved

pre najnovšie informácie navštívte našu webovú stránku [www.umakov.sk](http://www.umakov.sk) / for latest information please visit our web site [www.umakovshop.com](http://www.umakovshop.com)